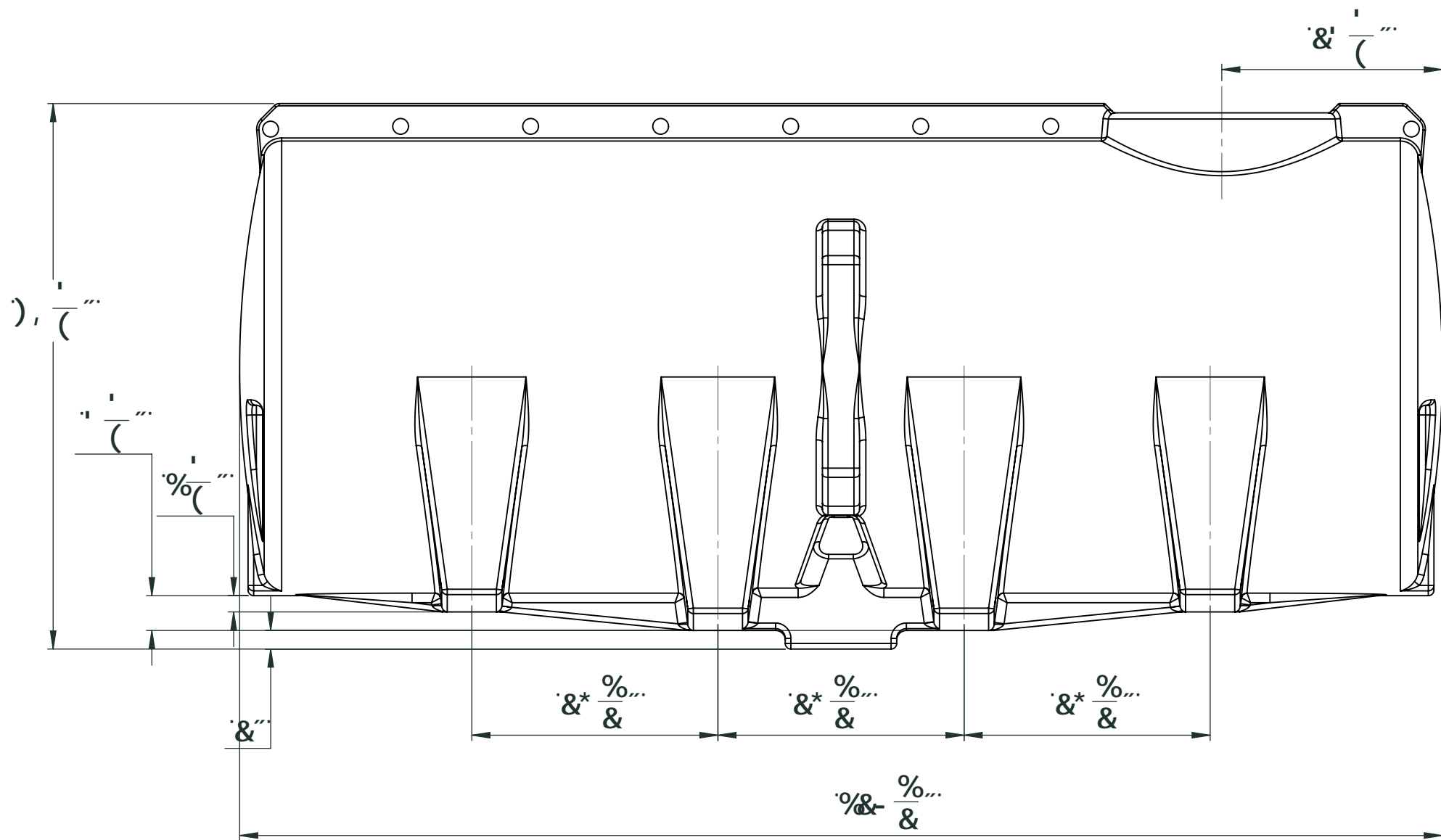
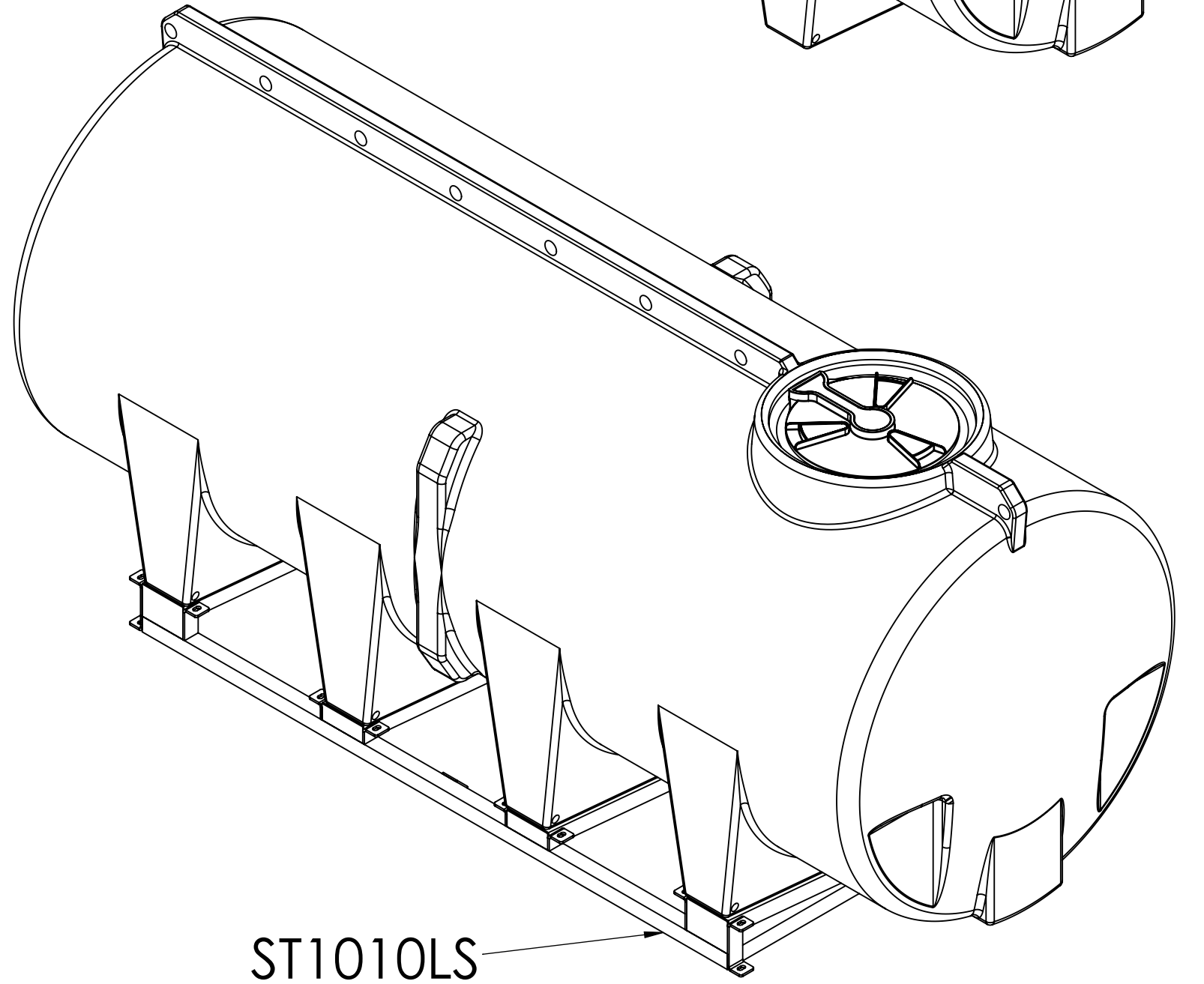
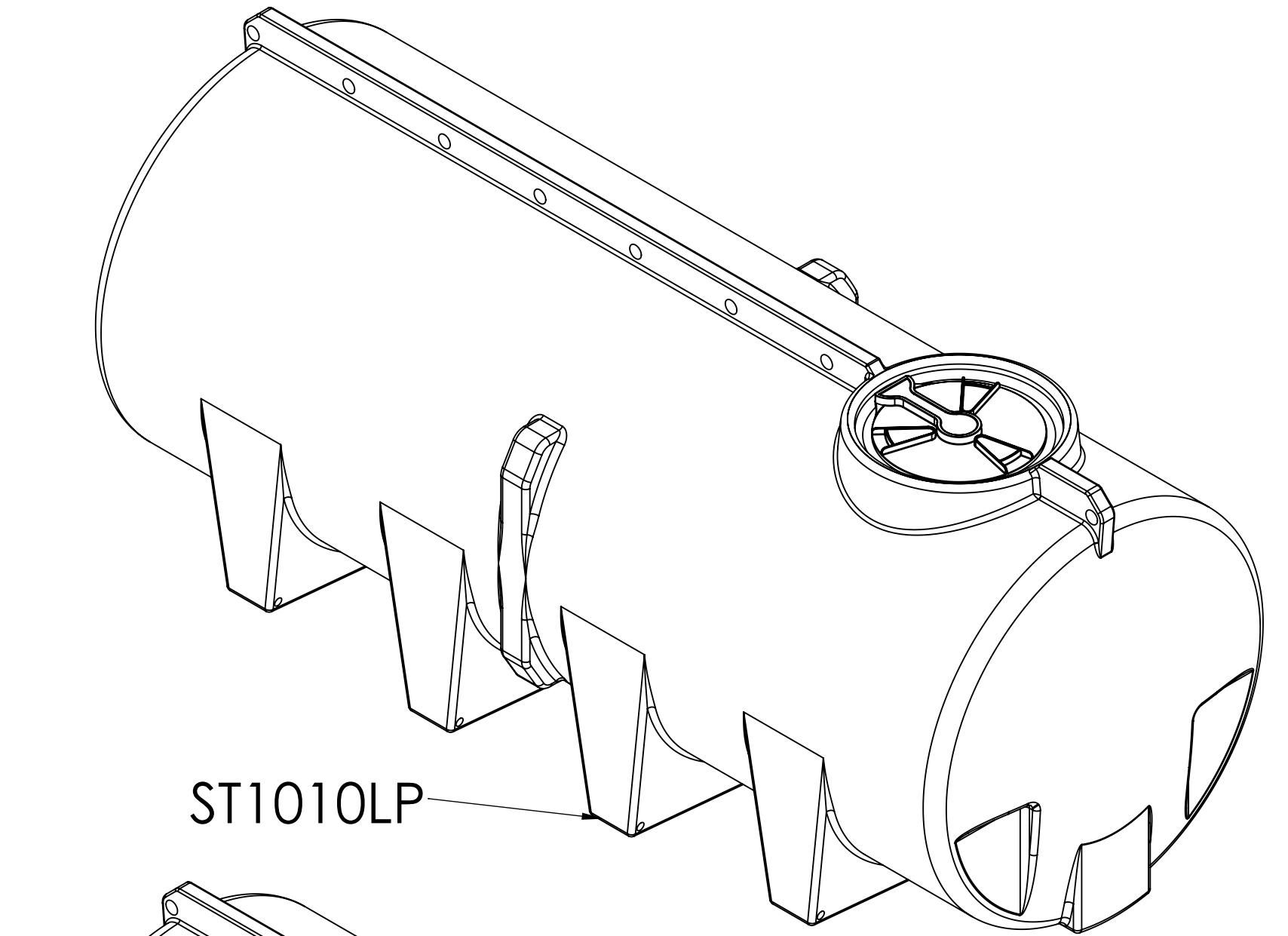
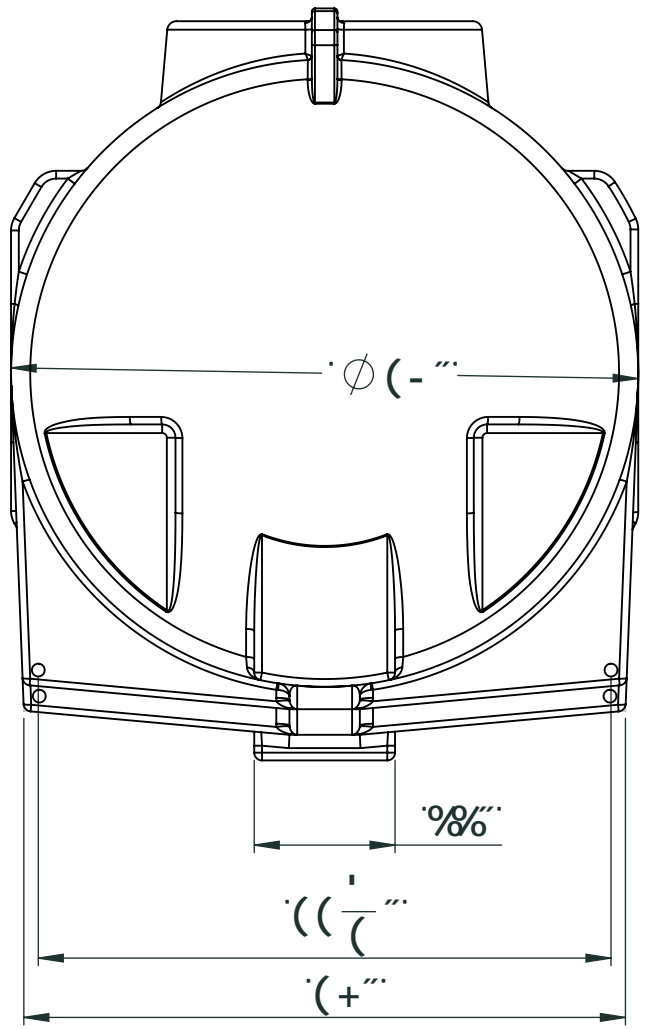


4

3

2

1



BCHE. 5`ck Ž# %) | G f]b_U[Y

DFCD-45FM588 7 CB: 89815
 THE INFORMATION CONTAINED IN THIS DRAWING IS THE SOLE PROPERTY OF 881 F5D5G. ANY REPRODUCTION IN PART OR AS A WHOLE WITHOUT THE WRITTEN PERMISSION OF 881 F5D5G IS PROHIBITED.

UNLESS OTHERWISE SPECIFIED:		NAME	DATE	881 F5D5G
DIMENSIONS ARE IN INCHES		DRAWN	DNS	
TOLERANCES:		CHECKED		TITLE:
FRACTIONAL ±		ENG APPR.		881 F5D5G
ANGULAR: MACH ± BEND ±		MFG APPR.		
TWO PLACE DECIMAL ±		Q.A.		REV
THREE PLACE DECIMAL ±		COMMENTS:		8
INTERPRET GEOMETRIC TOLERANCING PER:				DWG. NO.
MATERIAL				7
FINISH				SCALE: 1:20
NEXT ASSY	USED ON			WEIGHT:
APPLICATION	DO NOT SCALE DRAWING			SHEET 1 OF 1

For more information or to get your questions answered, contact us!
 www.clarionmunicipal.com or call us at : (+1) 863-261-8388 | info@oneclarion.com

4

3

2

1