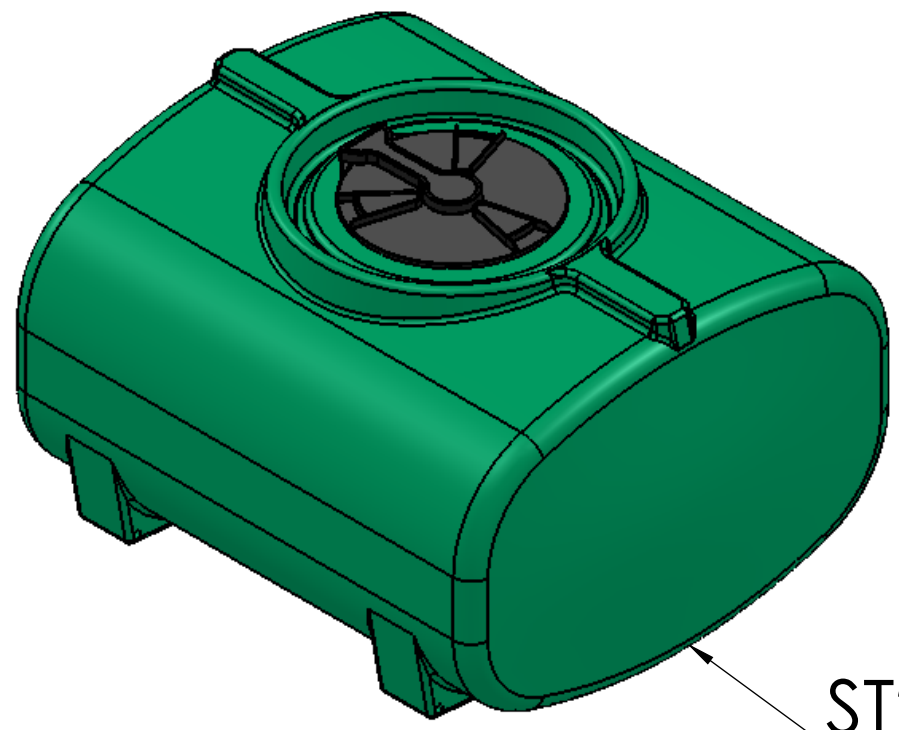
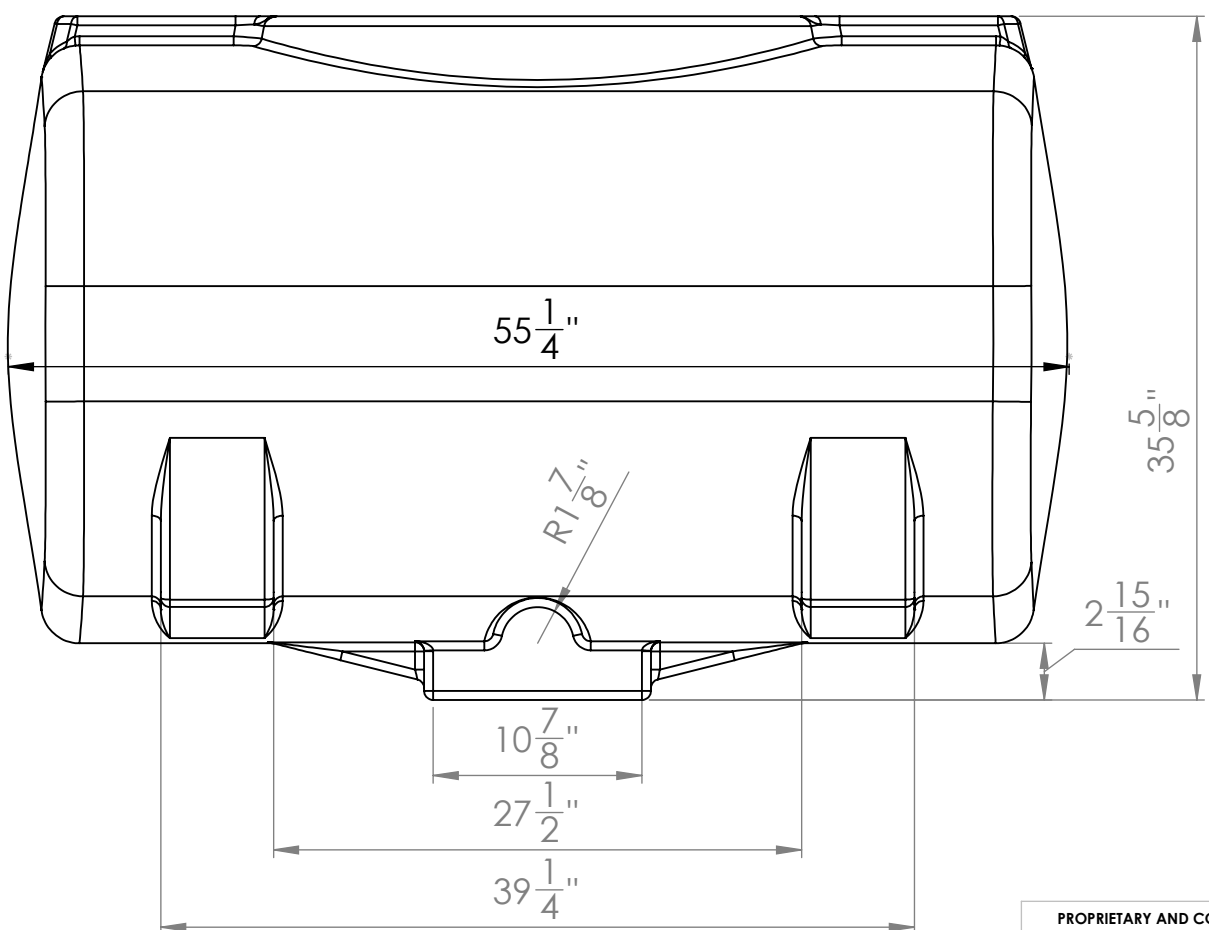
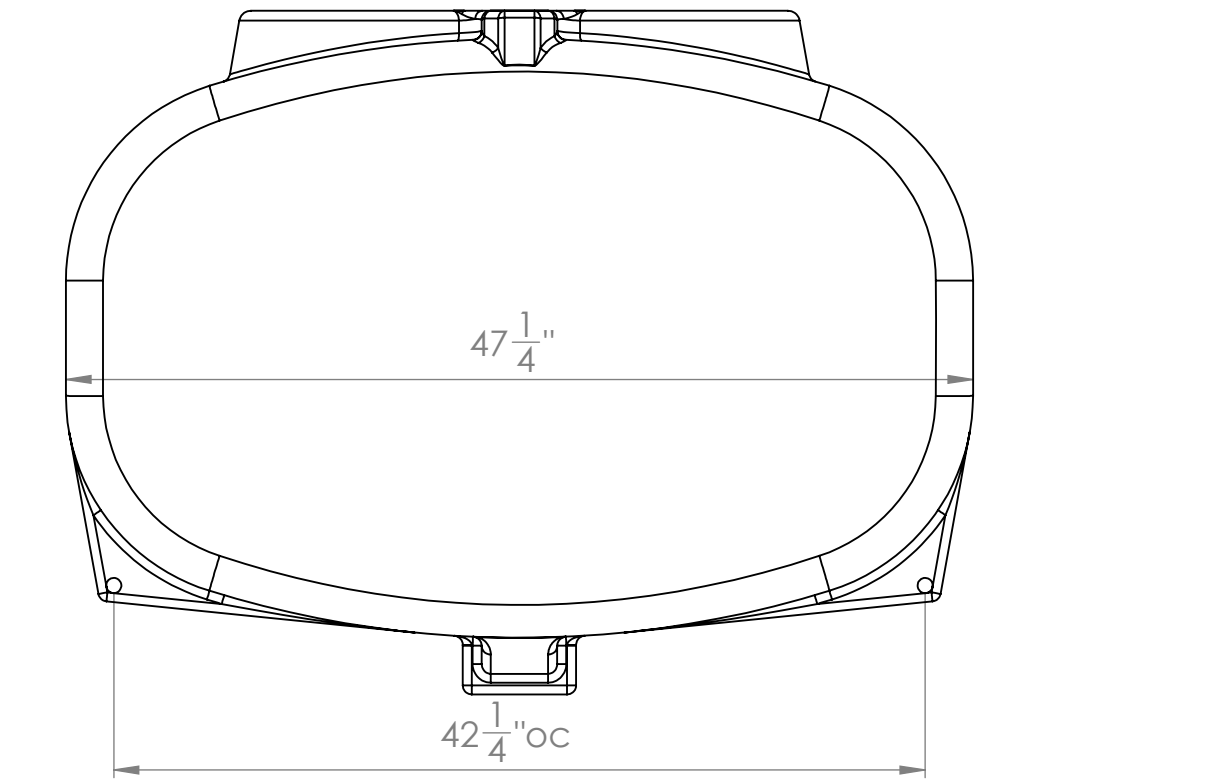
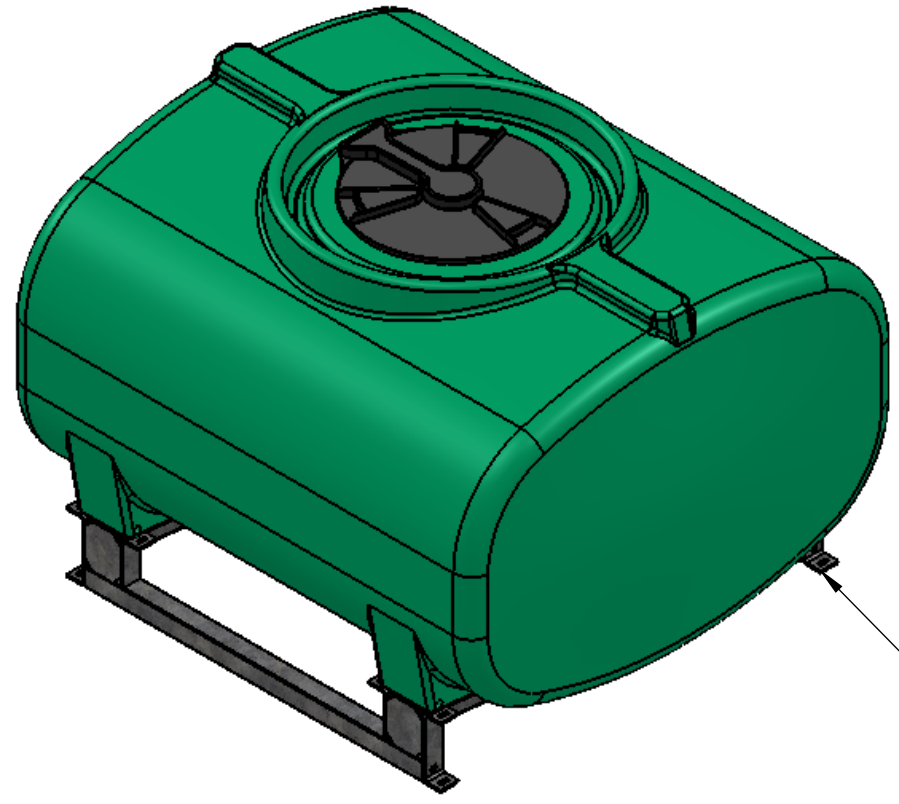


8 7 6 5 4 3 2 1

D
C
B
A



ST250LP



ST250LS

PROPRIETARY AND CONFIDENTIAL
 THE INFORMATION CONTAINED IN THIS DRAWING IS THE SOLE PROPERTY OF Agrimaxx, Enduraplas. ANY REPRODUCTION IN PART OR AS A WHOLE WITHOUT THE WRITTEN PERMISSION OF Agrimaxx, Enduraplas, IS PROHIBITED.

For more information or to get your questions answered, contact us!
www.clarionmunicipal.com or call us at : (+1) 863-261-8388 | info@oneclarion.com

		UNLESS OTHERWISE SPECIFIED:		NAME	DATE	Enduraplas				
		DIMENSIONS ARE IN INCHES		DRAWN	DNS			9/12/11		
		TOLERANCES:		CHECKED			TITLE: ST250LP			
		FRACTIONAL ±		ENG APPR.						
		ANGULAR: MACH ± BEND ±		MFG APPR.						
		TWO PLACE DECIMAL ±		Q.A.			SIZE	DWG. NO.	REV	
		THREE PLACE DECIMAL ±		COMMENTS:			B		1	
		INTERPRET GEOMETRIC TOLERANCING PER:					SCALE: 1:20		WEIGHT:	SHEET 1 OF 1
		MATERIAL								
		FINISH								
NEXT ASSY	USED ON	APPLICATION		DO NOT SCALE DRAWING						

8 7 6 5 4 3 2 1