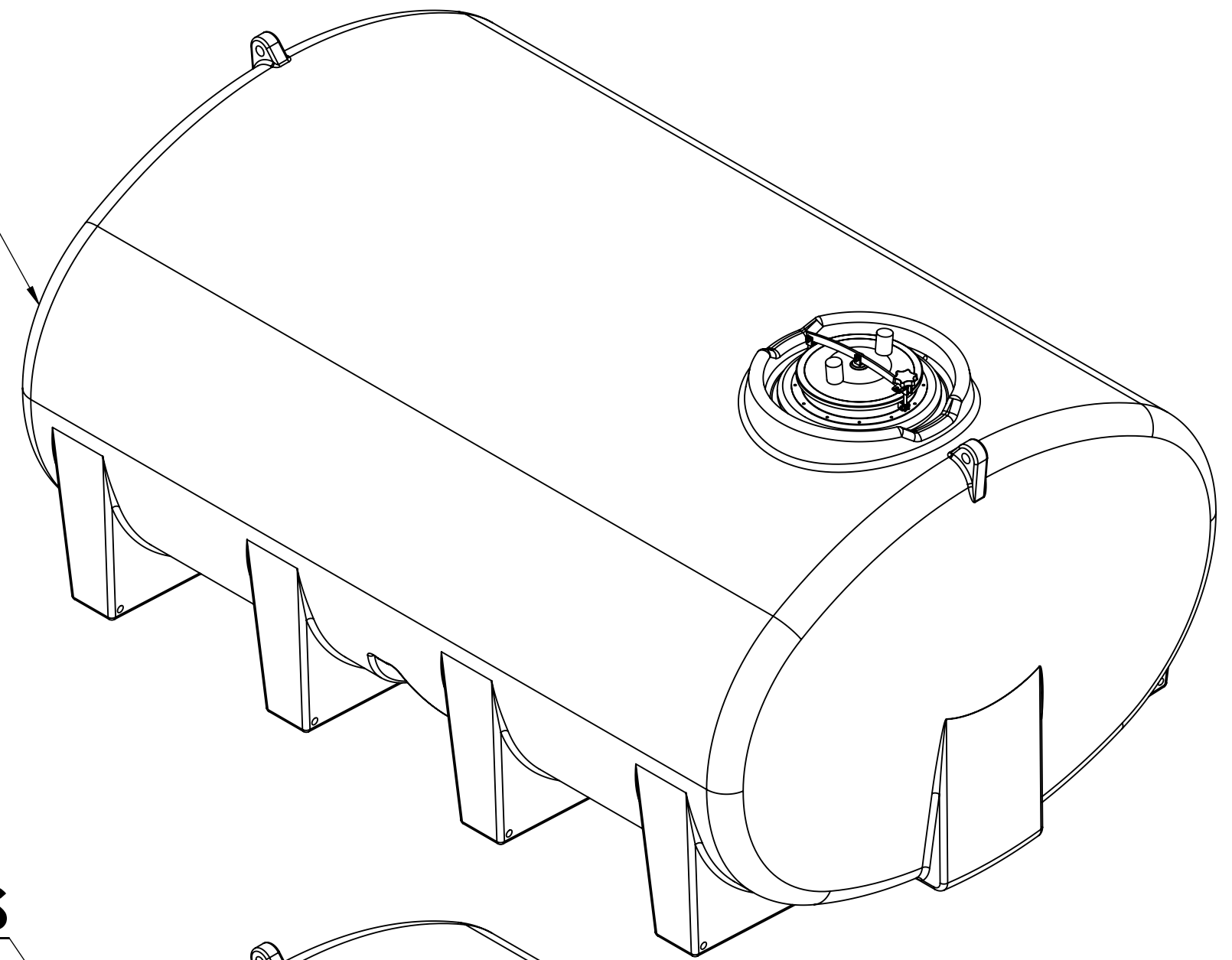
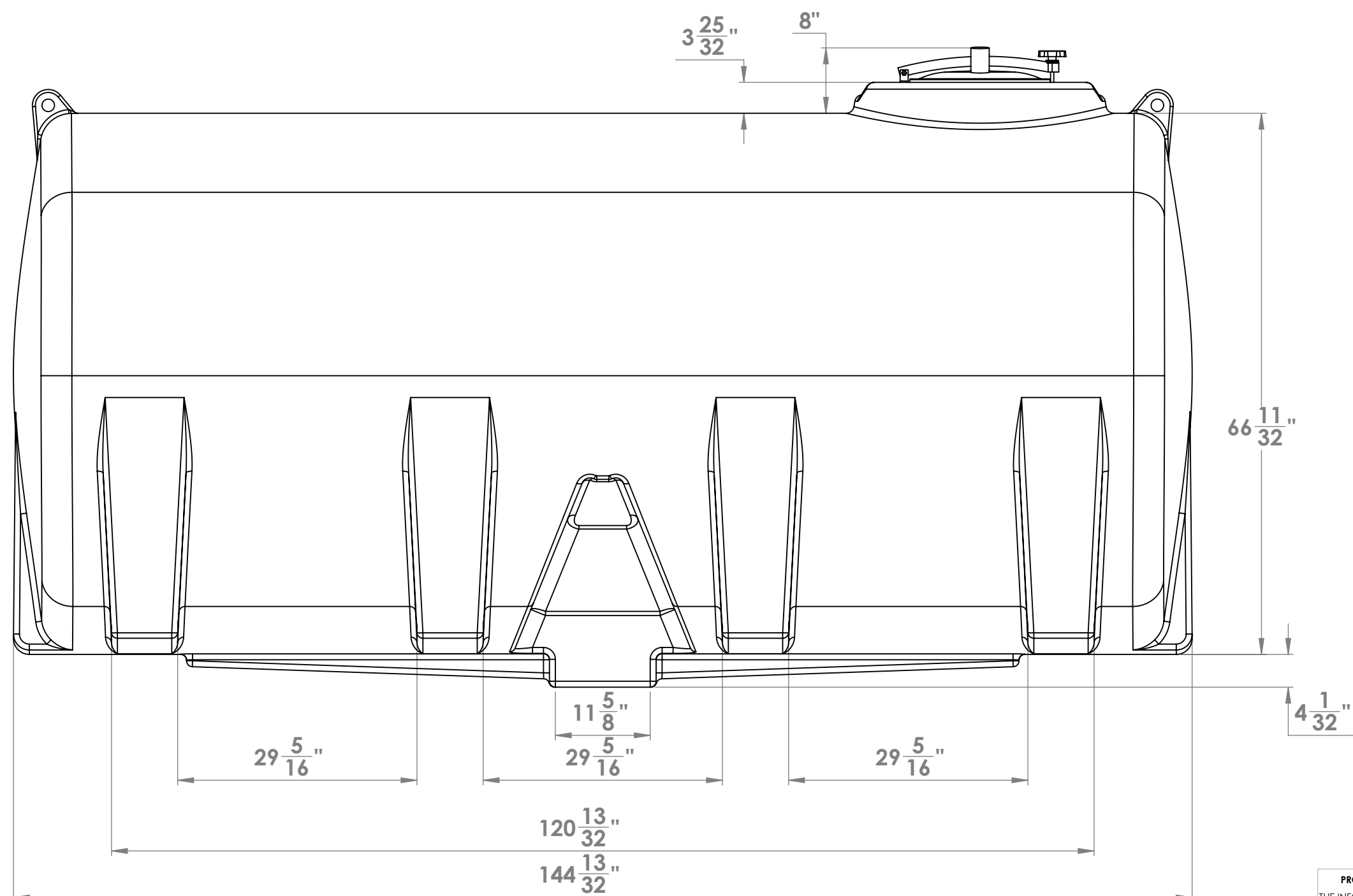
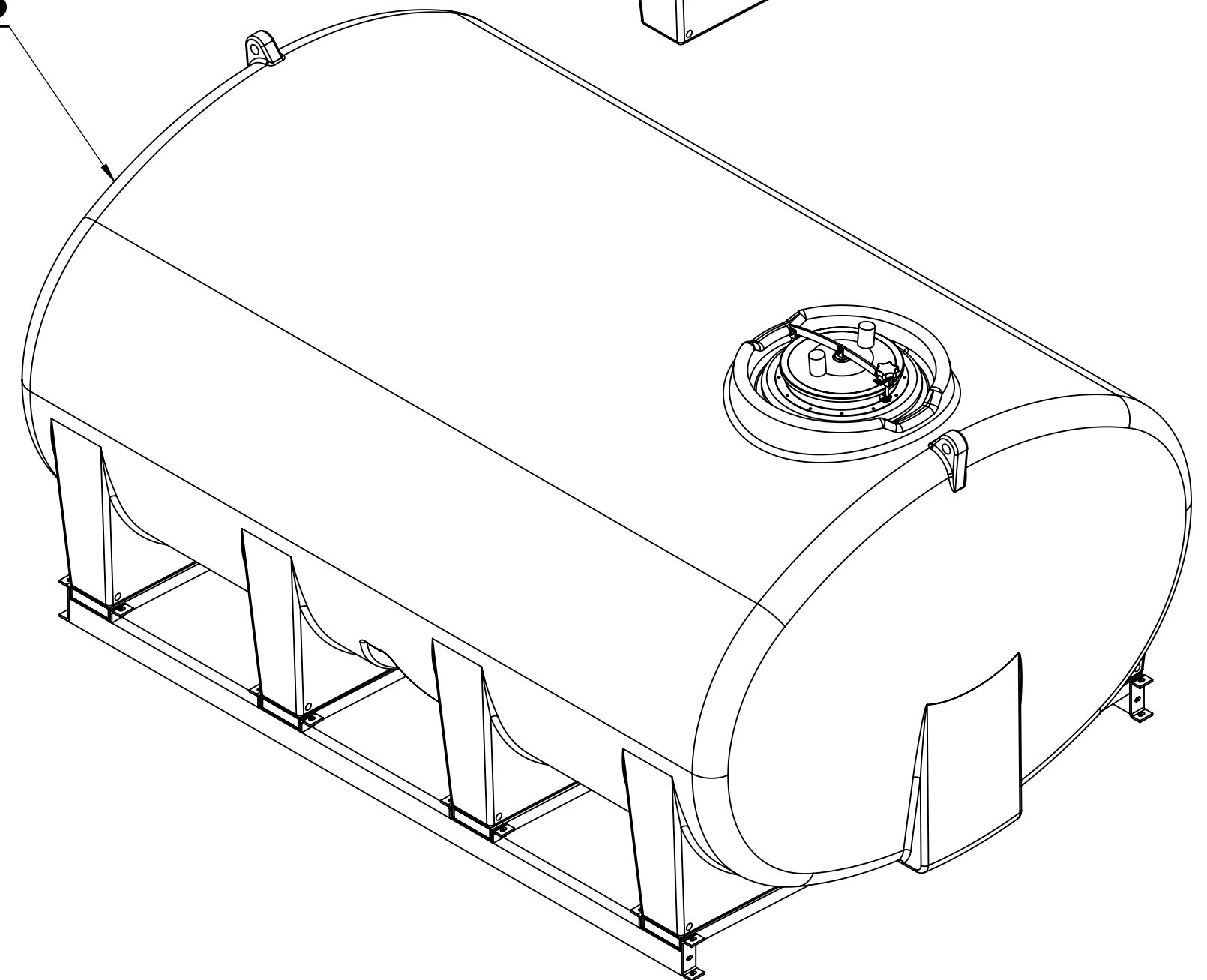


**ST2800LP**



**ST2800LS**



**NOTE: ALLOW +/- 1.5% SHRINKAGE**

PROPRIETARY AND CONFIDENTIAL  
THE INFORMATION CONTAINED IN THIS  
DRAWING IS THE SOLE PROPERTY OF  
**ENDURAPLAS LLC**. ANY  
REPRODUCTION IN PART OR AS A WHOLE  
WITHOUT THE WRITTEN PERMISSION OF  
**ENDURAPLAS LLC** IS PROHIBITED.

UNLESS OTHERWISE SPECIFIED:		NAME	DATE	<b>ENDURAPLAS LLC</b>	
DIMENSIONS ARE IN INCHES		DRAWN	DNS	5/14/13	TITLE:
TOLERANCES:		CHECKED			<b>ST2800LP</b>
FRACTIONAL ±		ENG APPR.			SIZE DWG. NO.
ANGULAR: MATCH ±		MFG APPR.			<b>C</b>
TWO PLACE DECIMAL ±		Q.A.			REV
THREE PLACE DECIMAL ±		COMMENTS:			<b>1</b>
INTERPRET GEOMETRIC TOLERANCING PER:	FINISH			SCALE: 1:50 WEIGHT:	SHEET 1 OF 1
MATERIAL	DO NOT SCALE DRAWING				
NEXT ASSY	USED ON				
APPLICATION					

For more information or to get your questions answered, contact us!  
www.clarionmunicipal.com or call us at : (+1) 863-261-8388 | info@oneclarion.com