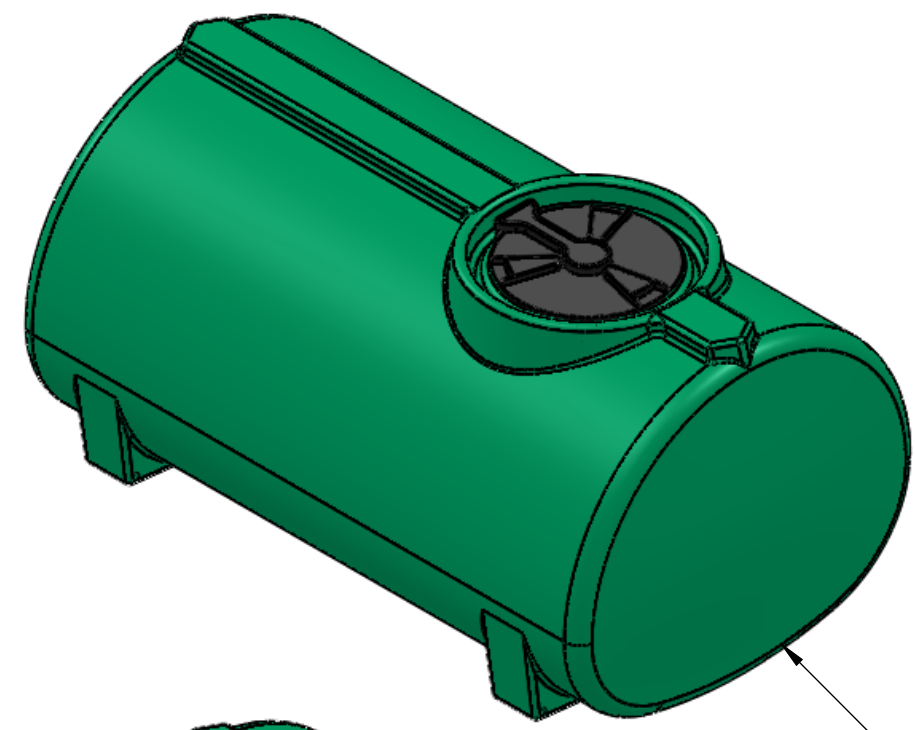
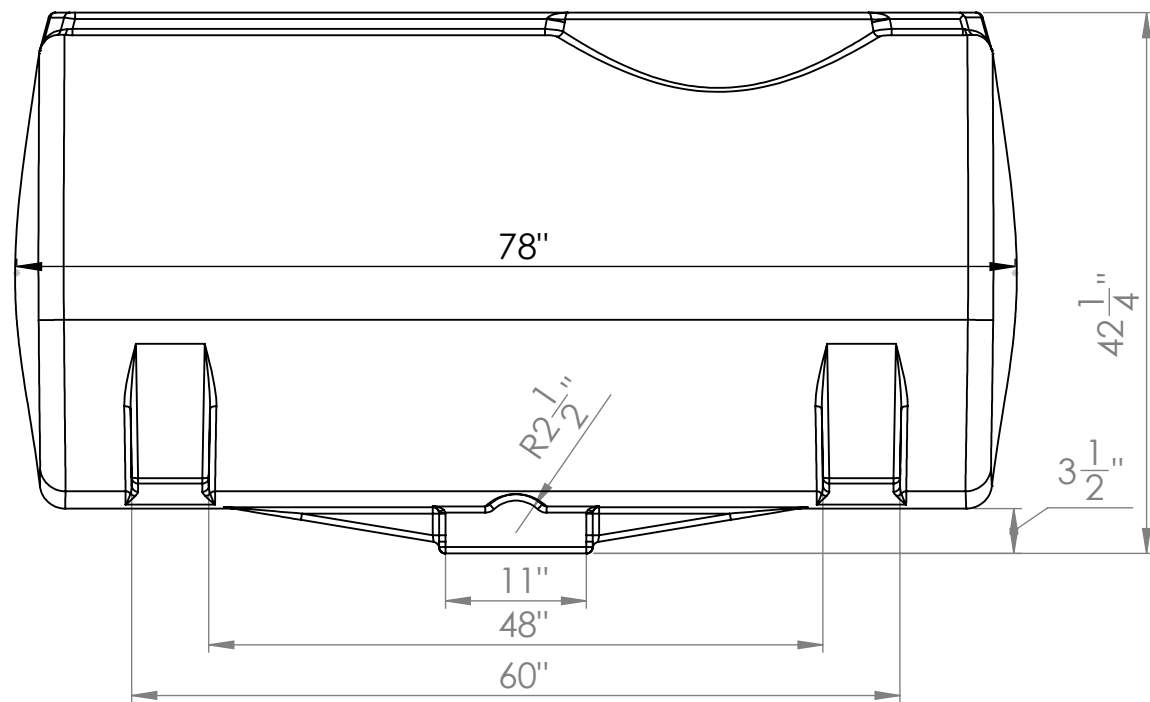
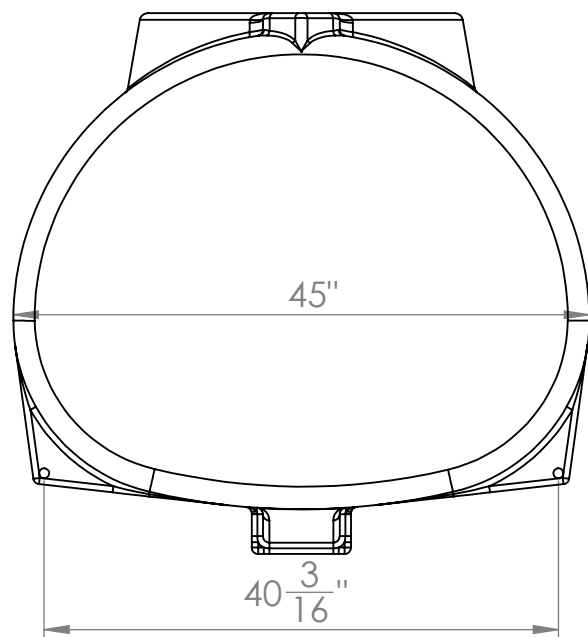


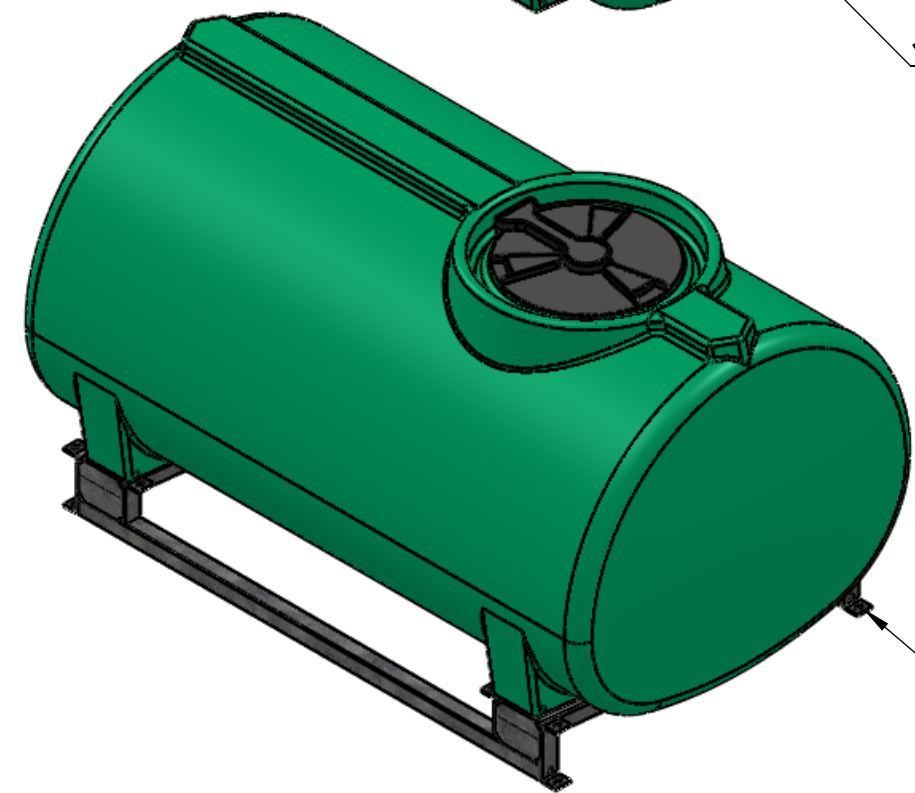
8 7 6 5 4 3 2 1

D
C
B
A

D
C
B
A



ST400LP



ST400LS

PROPRIETARY AND CONFIDENTIAL
 THE INFORMATION CONTAINED IN THIS DRAWING IS THE SOLE PROPERTY OF Agrimaxx, Enduraplas. ANY REPRODUCTION IN PART OR AS A WHOLE WITHOUT THE WRITTEN PERMISSION OF Agrimaxx, Enduraplas, IS PROHIBITED.

For more information or to get your questions answered, contact us!
www.clarionmunicipal.com or call us at : (+1) 863-261-8388 | info@oneclarion.com

		UNLESS OTHERWISE SPECIFIED:		NAME	DATE	Enduraplas				
		DIMENSIONS ARE IN INCHES TOLERANCES: FRACTIONAL ± ANGULAR: MACH ± BEND ± TWO PLACE DECIMAL ± THREE PLACE DECIMAL ±		DRAWN	DNS			9/12/11		
		INTERPRET GEOMETRIC TOLERANCING PER:		CHECKED			TITLE: ST400LP			
		MATERIAL		ENG APPR.						
		FINISH		MFG APPR.			SIZE	DWG. NO.	REV	
NEXT ASSY	USED ON			Q.A.			B		1	
APPLICATION		DO NOT SCALE DRAWING		COMMENTS:				SCALE: 1:20	WEIGHT:	SHEET 1 OF 1

8 7 6 5 4 3 2 1