

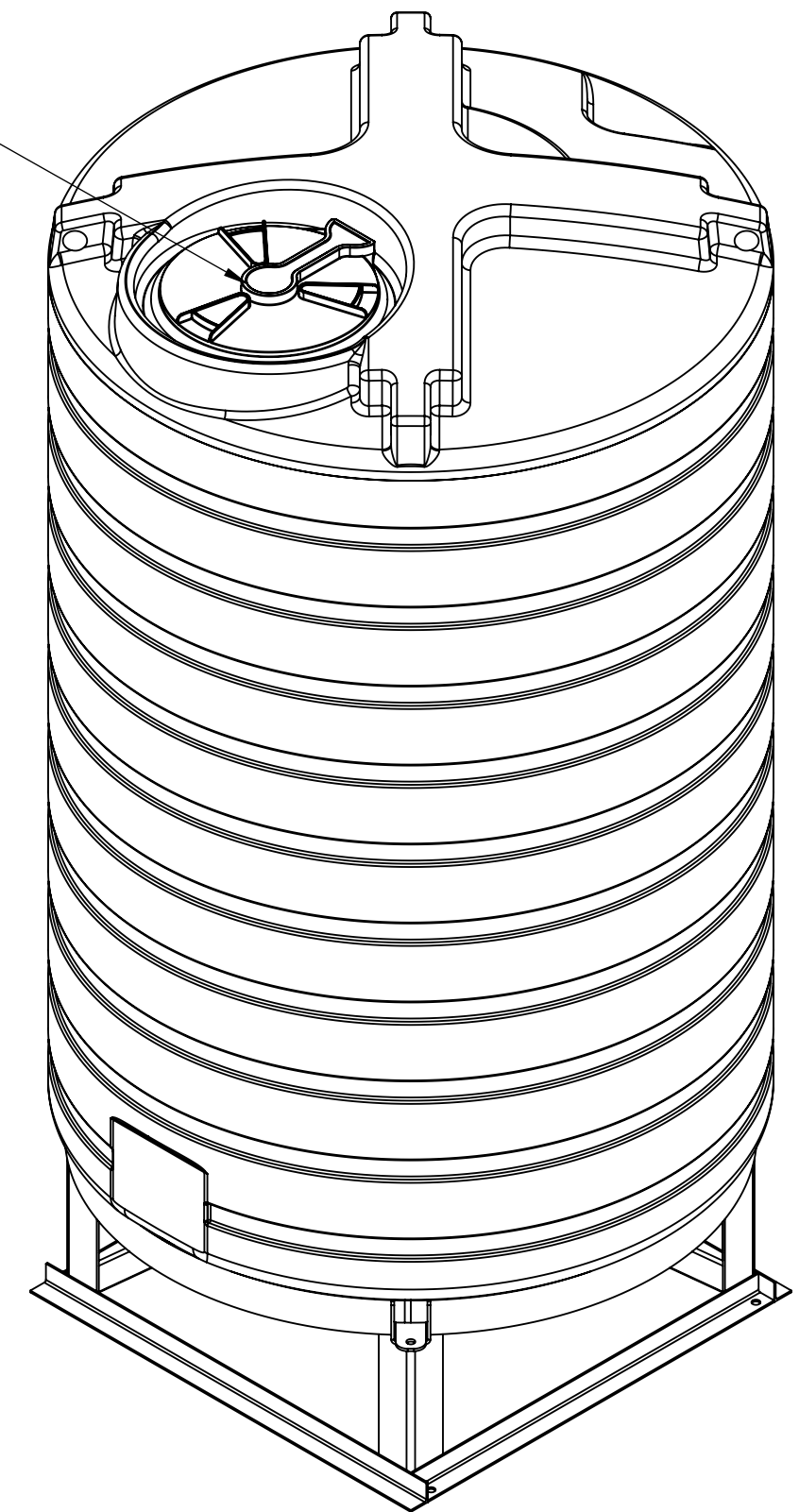
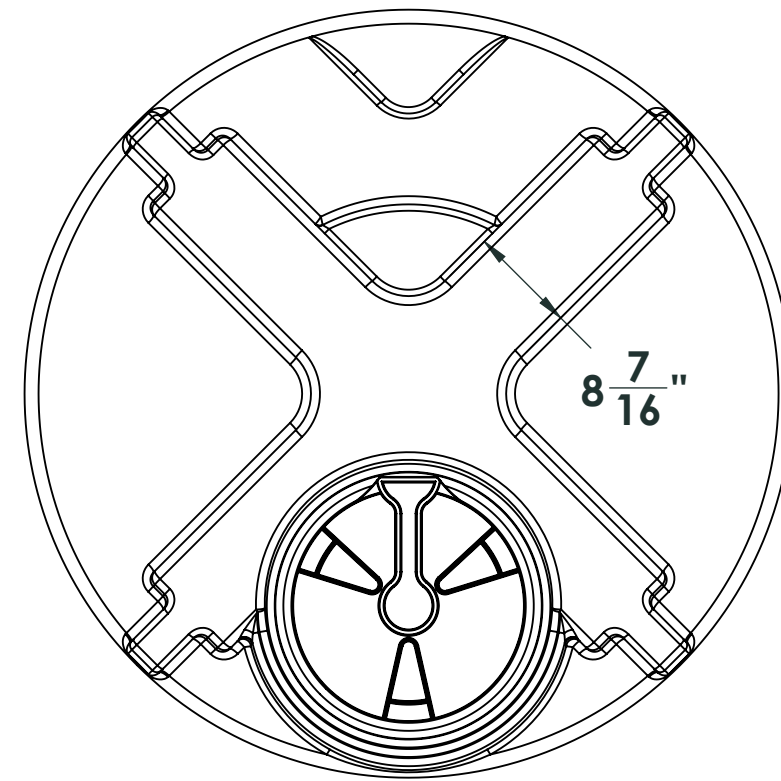
4

3

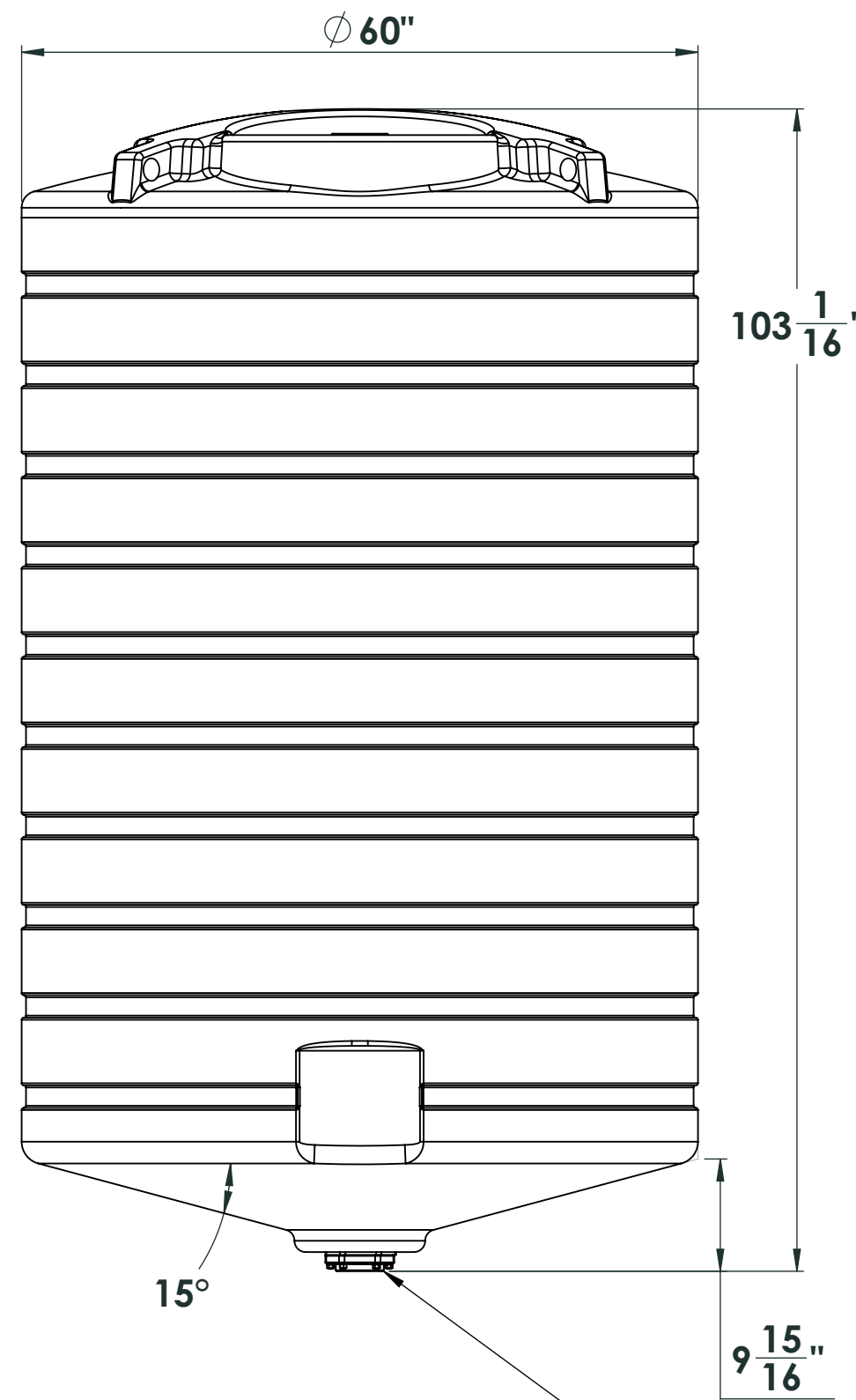
2

1

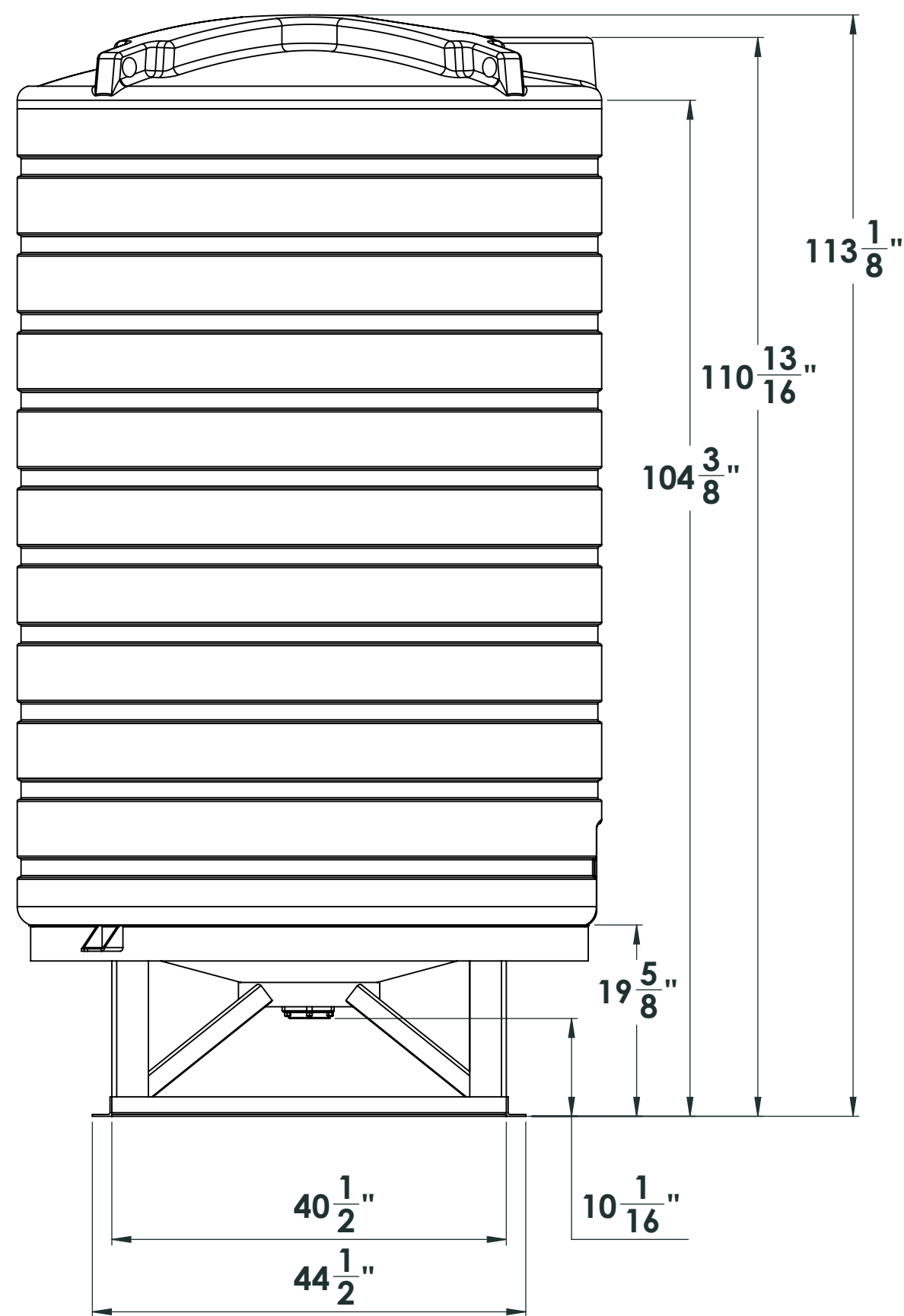
16 inch lid



Shown with AZFC00550 stand



3 inch bolted - bottom drain fitting



**NOTE: Allow +/- 1.5% Shrinkage**

For more information or to get your questions answered, contact us!  
www.clarionmunicipal.com or call us at : (+1) 863-261-8388 | info@oneclarion.com

**PROPRIETARY AND CONFIDENTIAL**  
THE INFORMATION CONTAINED IN THIS DRAWING IS THE SOLE PROPERTY OF ENDURAPLAS. ANY REPRODUCTION IN PART OR AS A WHOLE WITHOUT THE WRITTEN PERMISSION OF ENDURAPLAS IS PROHIBITED.

UNLESS OTHERWISE SPECIFIED:		NAME	DATE	ENDURAPLAS	
DIMENSIONS ARE IN INCHES		DRAWN	DNS	11/9/16	TITLE:
TOLERANCES:		CHECKED			THC01100
FRACTIONAL ±		ENG APPR.			SIZE DWG. NO.
ANGULAR: MACH ± BEND ±		MFG APPR.			REV
TWO PLACE DECIMAL ±		Q.A.			1
THREE PLACE DECIMAL ±		COMMENTS:			SCALE: 1:50 WEIGHT: SHEET 1 OF 1
INTERPRET GEOMETRIC TOLERANCING PER:					
MATERIAL:					
FINISH:					
NEXT ASSY	USED ON				
APPLICATION		DO NOT SCALE DRAWING			

4

3

2

1