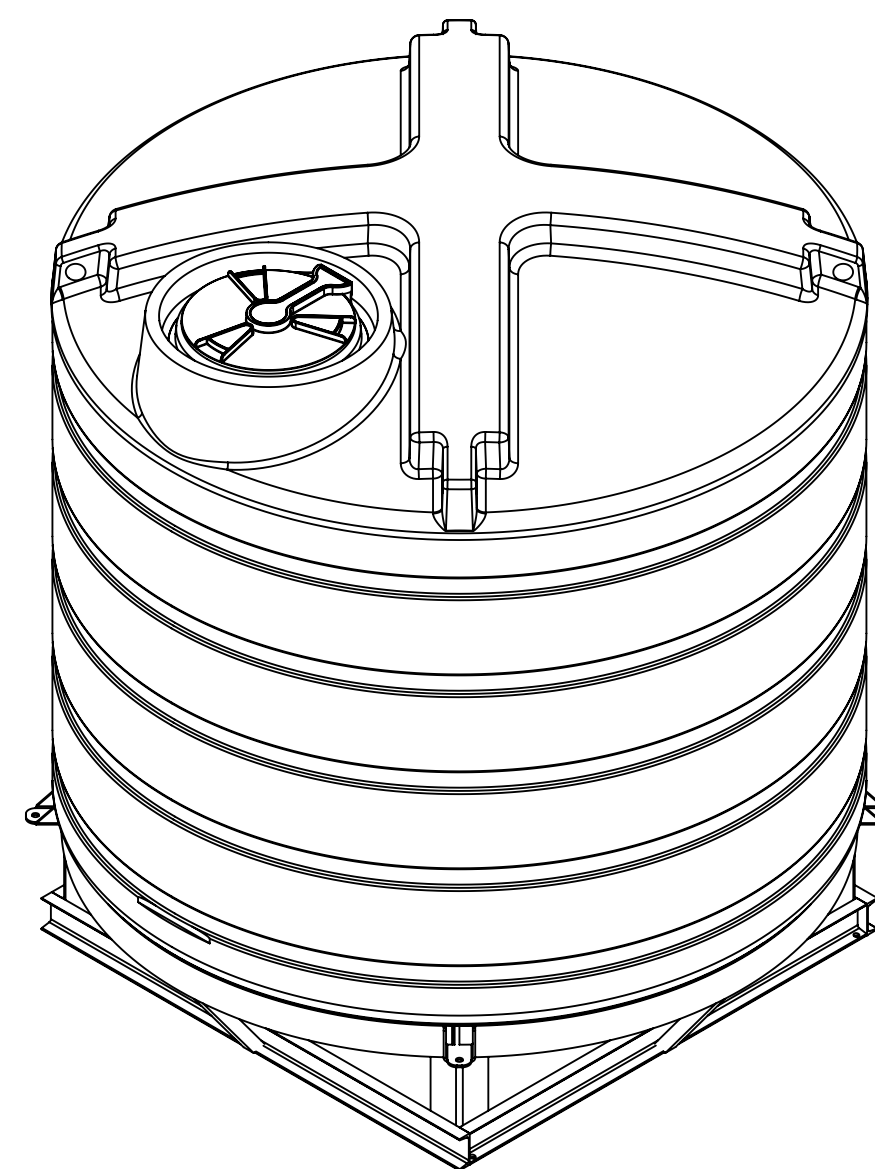
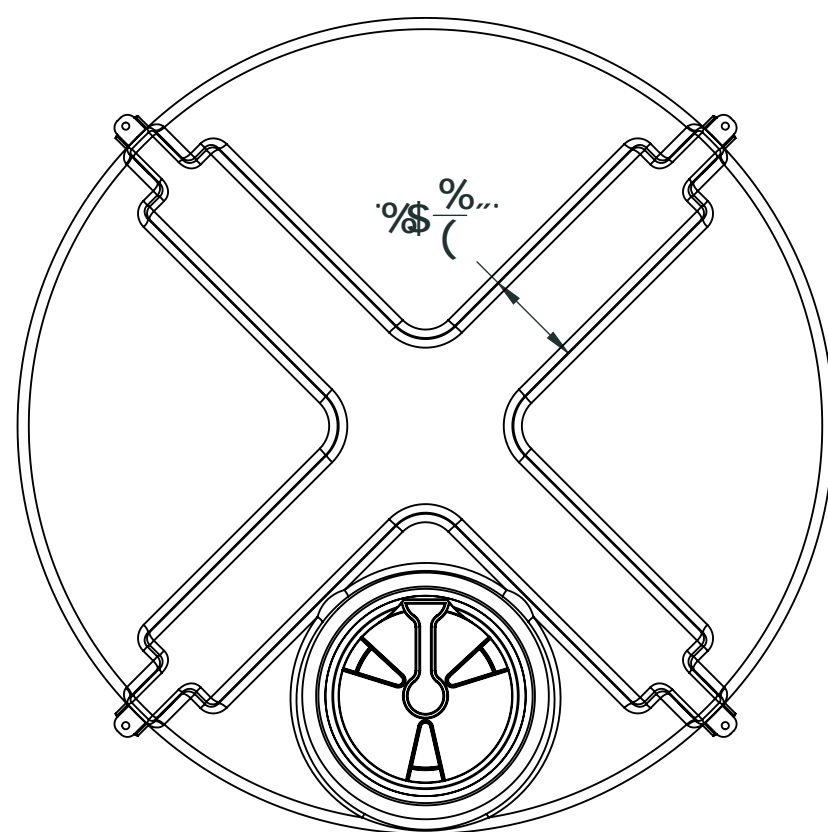


4

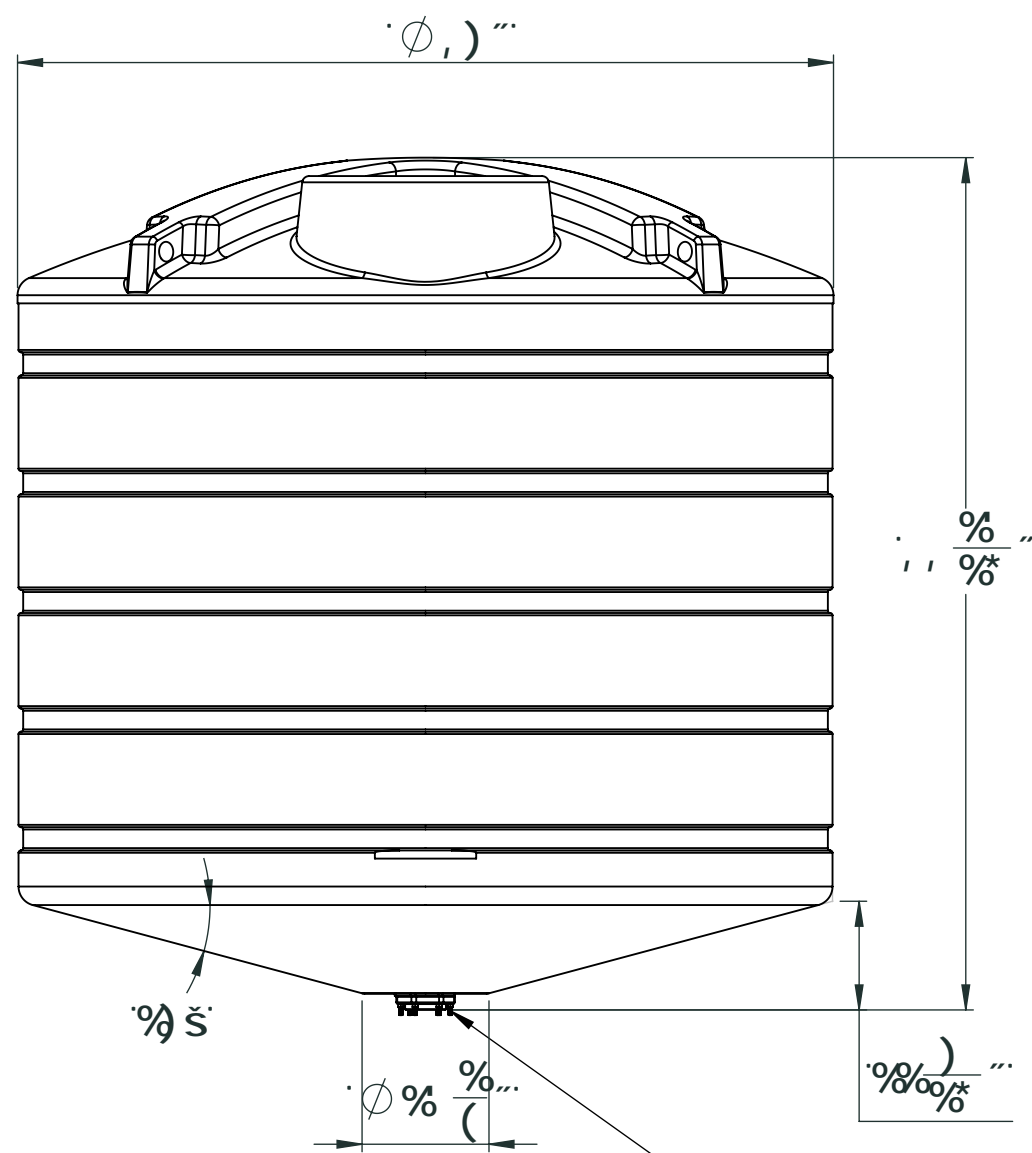
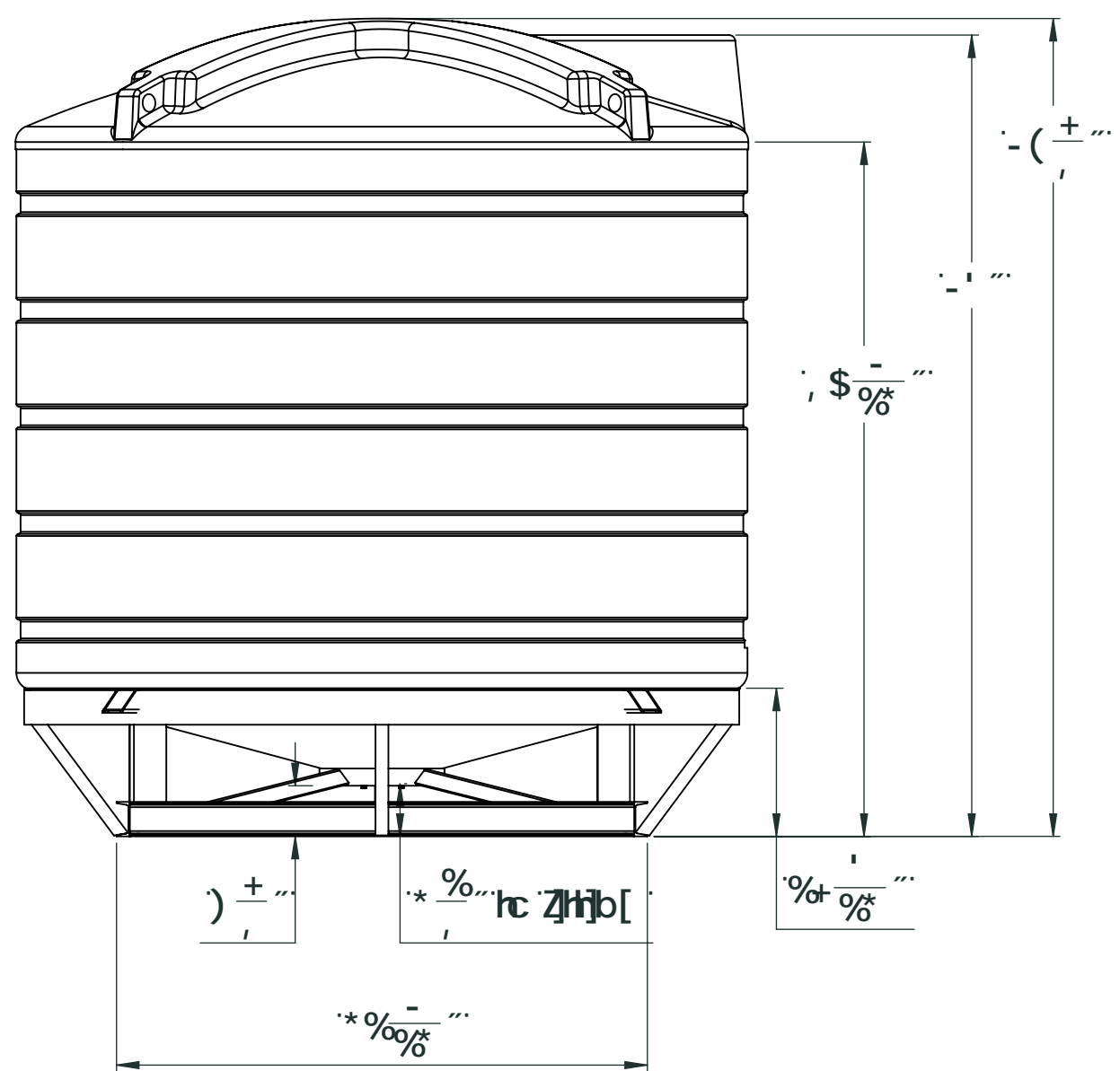
3

2

1



6ck b k Jh 5N 7 \$%) \$@dgUbx



0bWx Vc YX! Vchca XfU]b ZH]b[

For more information or to get your questions answered, contact us!
www.clarionmunicipal.com or call us at : (+1) 863-261-8388 | info@oneclarion.com

DFC DF-45FM588 7 CB: 69B16
 THE INFORMATION CONTAINED IN THIS DRAWING IS THE SOLE PROPERTY OF 981 F5D5G. ANY REPRODUCTION IN PART OR AS A WHOLE WITHOUT THE WRITTEN PERMISSION OF 981 F5D5G IS PROHIBITED.

UNLESS OTHERWISE SPECIFIED:		NAME	DATE	981 F5D5G	
DIMENSIONS ARE IN INCHES		DRAWN	DNS	11/2/16	TITLE:
TOLERANCES:		CHECKED			K7 \$%) \$
FRACTIONAL ±		ENG APPR.			
ANGULAR: MACH ± BEND ±		MFG APPR.			
TWO PLACE DECIMAL ±		Q.A.			SIZE DWG. NO. REV
THREE PLACE DECIMAL ±		COMMENTS:			7 1:50/EIGHT: SHEET 1 OF 1
INTERPRET GEOMETRIC TOLERANCING PER:					
MATERIAL:					
FINISH:					
APPLICATION:					

4

3

2

1