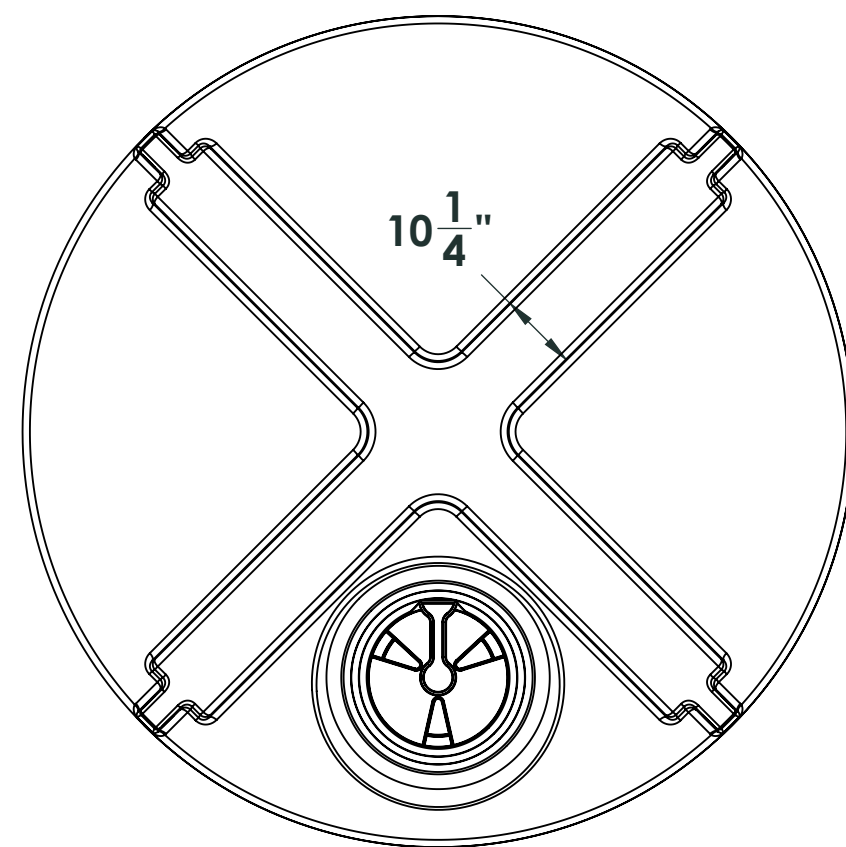


4

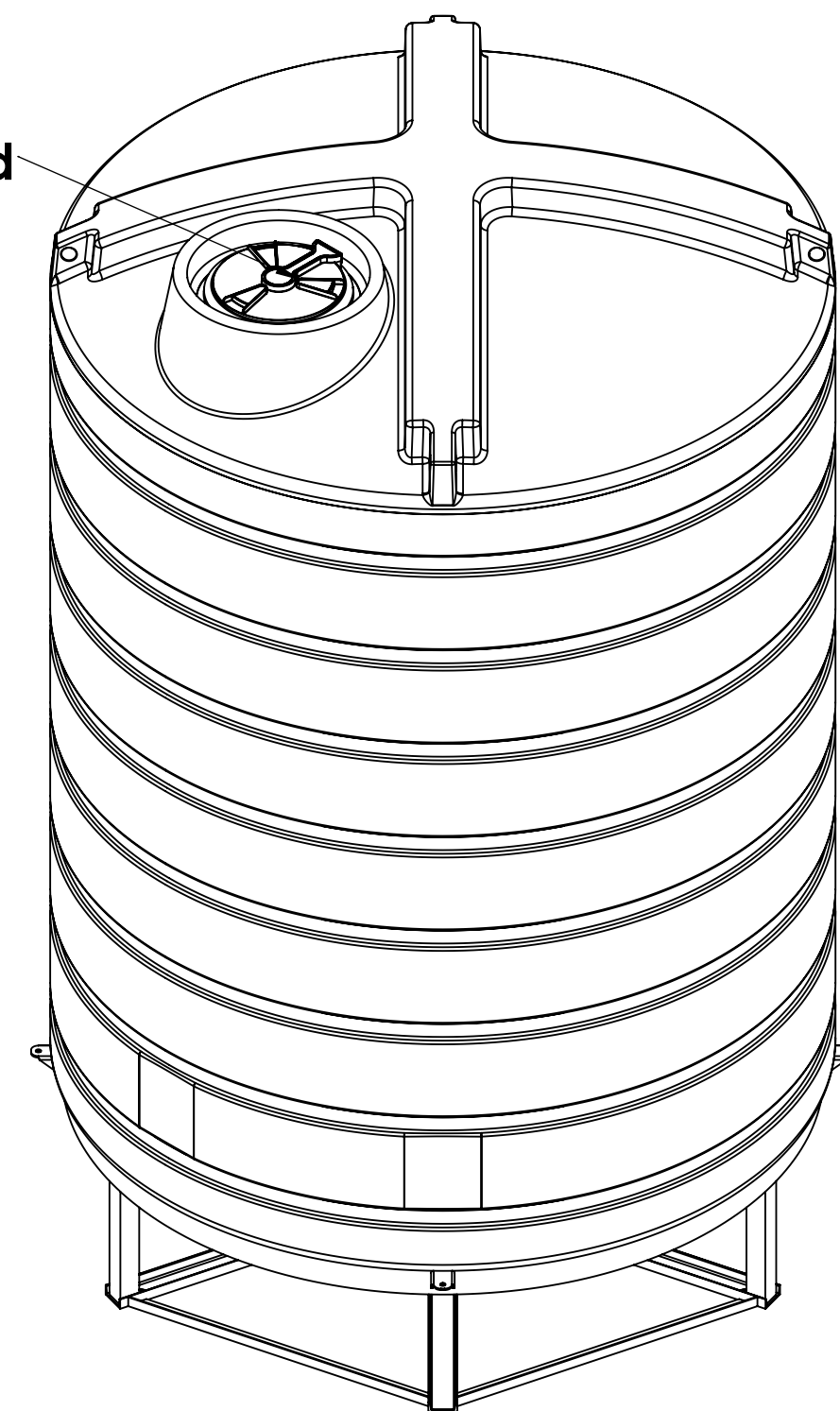
3

2

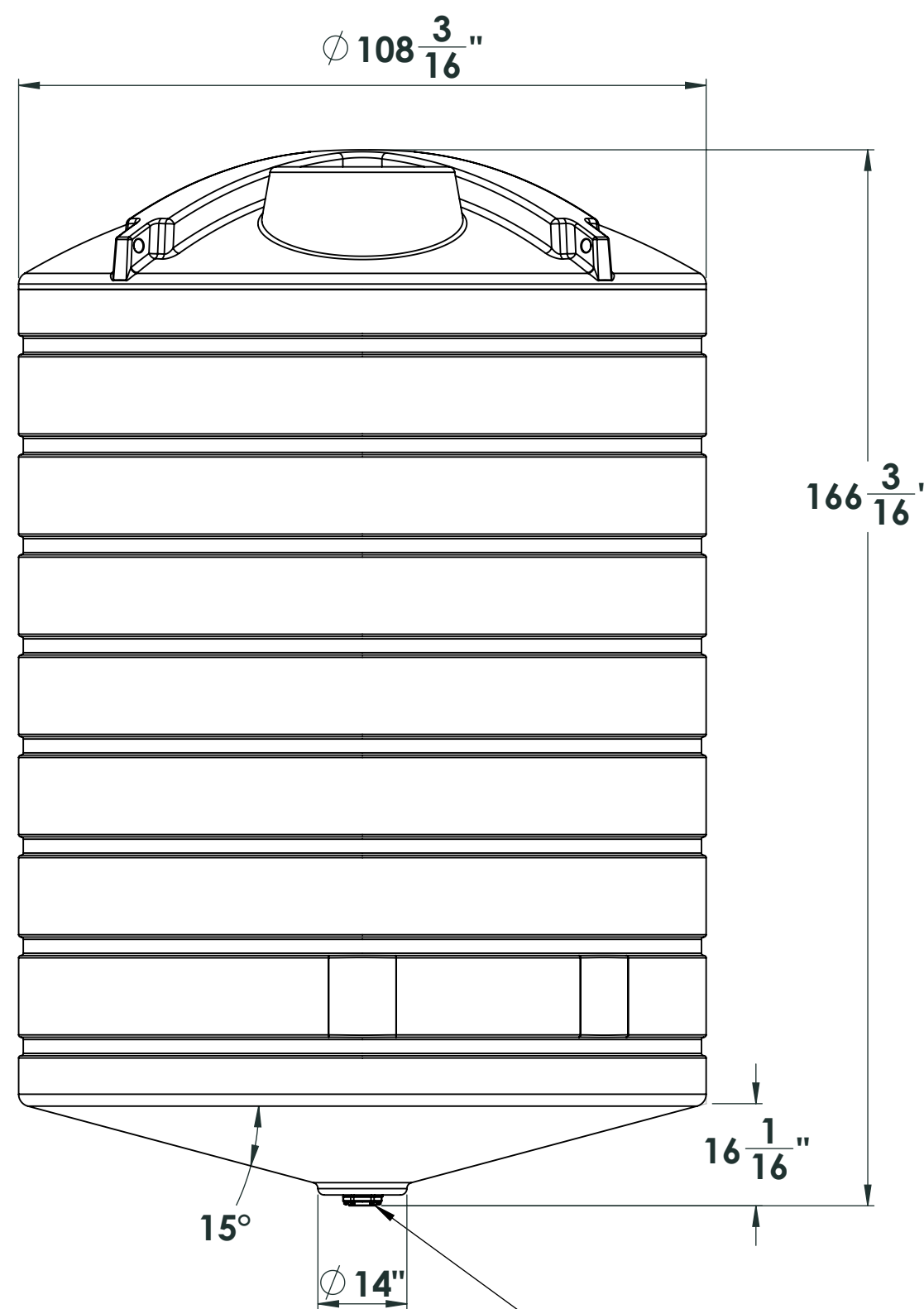
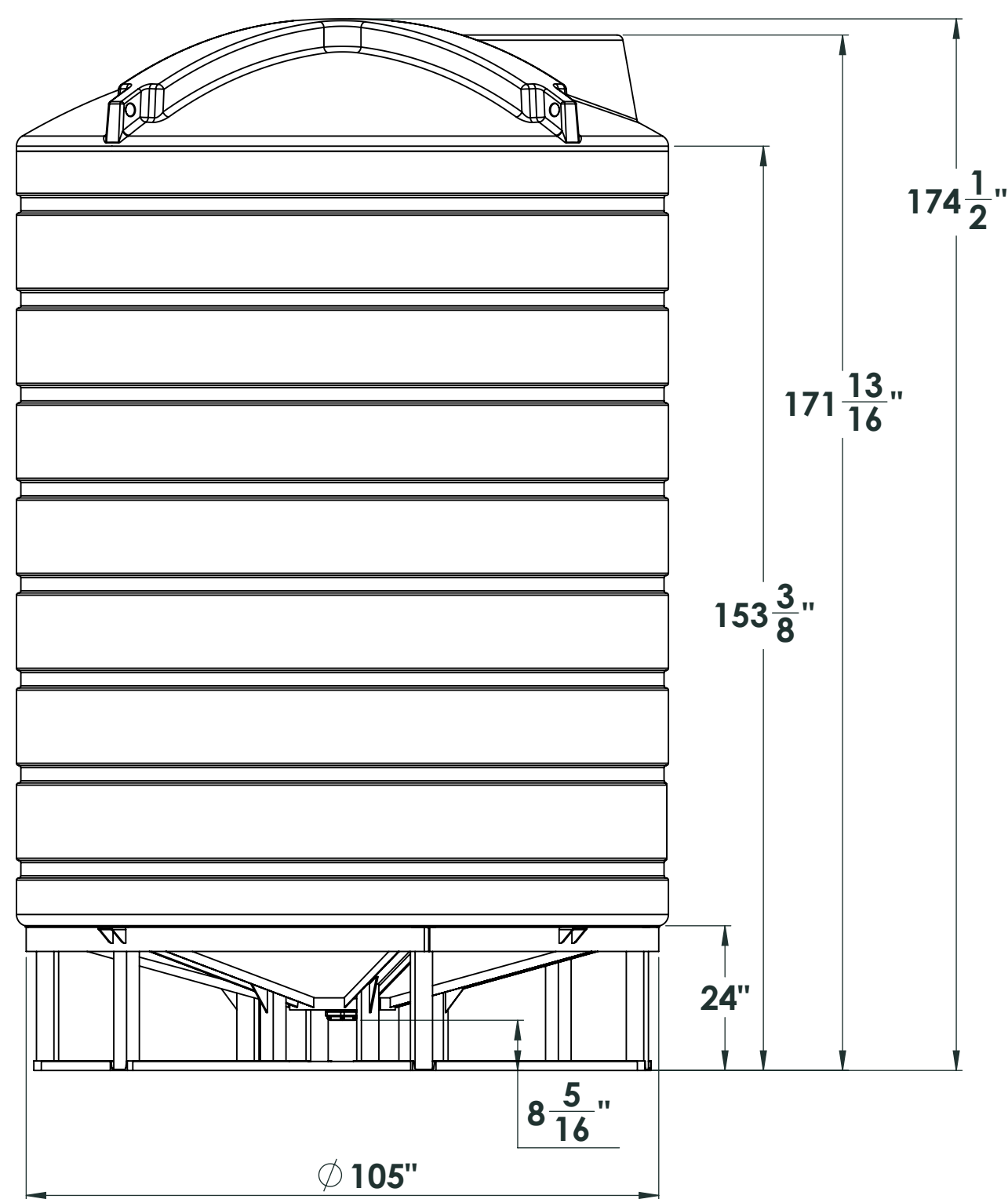
1



16 inch lid



Shown with AZFC02020 stand



3 inch bolted - bottom drain fitting

**NOTE: Allow +/- 1.5% Shrinkage**

For more information or to get your questions answered, contact us!  
www.clarionmunicipal.com or call us at : (+1) 863-261-8388 | info@oneclarion.com

**PROPRIETARY AND CONFIDENTIAL**  
THE INFORMATION CONTAINED IN THIS DRAWING IS THE SOLE PROPERTY OF ENDURAPLAS LLC. ANY REPRODUCTION IN PART OR AS A WHOLE WITHOUT THE WRITTEN PERMISSION OF ENDURAPLAS LLC IS PROHIBITED.

|                                      |         |           |      |                |
|--------------------------------------|---------|-----------|------|----------------|
| UNLESS OTHERWISE SPECIFIED:          |         | NAME      | DATE | ENDURAPLAS LLC |
| DIMENSIONS ARE IN INCHES             |         | DRAWN     | DNS  |                |
| TOLERANCES:                          |         | CHECKED   |      | TITLE:         |
| FRACTIONAL ±                         |         | ENG APPR. |      | THC05000       |
| ANGULAR: MACH ± BEND ±               |         | MFG APPR. |      |                |
| TWO PLACE DECIMAL ±                  |         | Q.A.      |      | SIZE           |
| THREE PLACE DECIMAL ±                |         | COMMENTS: |      | DWG. NO.       |
| INTERPRET GEOMETRIC TOLERANCING PER: |         |           |      | REV            |
| MATERIAL                             |         |           |      | 1              |
| FINISH                               |         |           |      | SCALE: 1:50    |
| NEXT ASSY                            | USED ON |           |      | WEIGHT:        |
| APPLICATION                          |         |           |      | SHEET 1 OF 1   |
| DO NOT SCALE DRAWING                 |         |           |      |                |

4

3

2

1

D

D

C

C

B

B

A

A