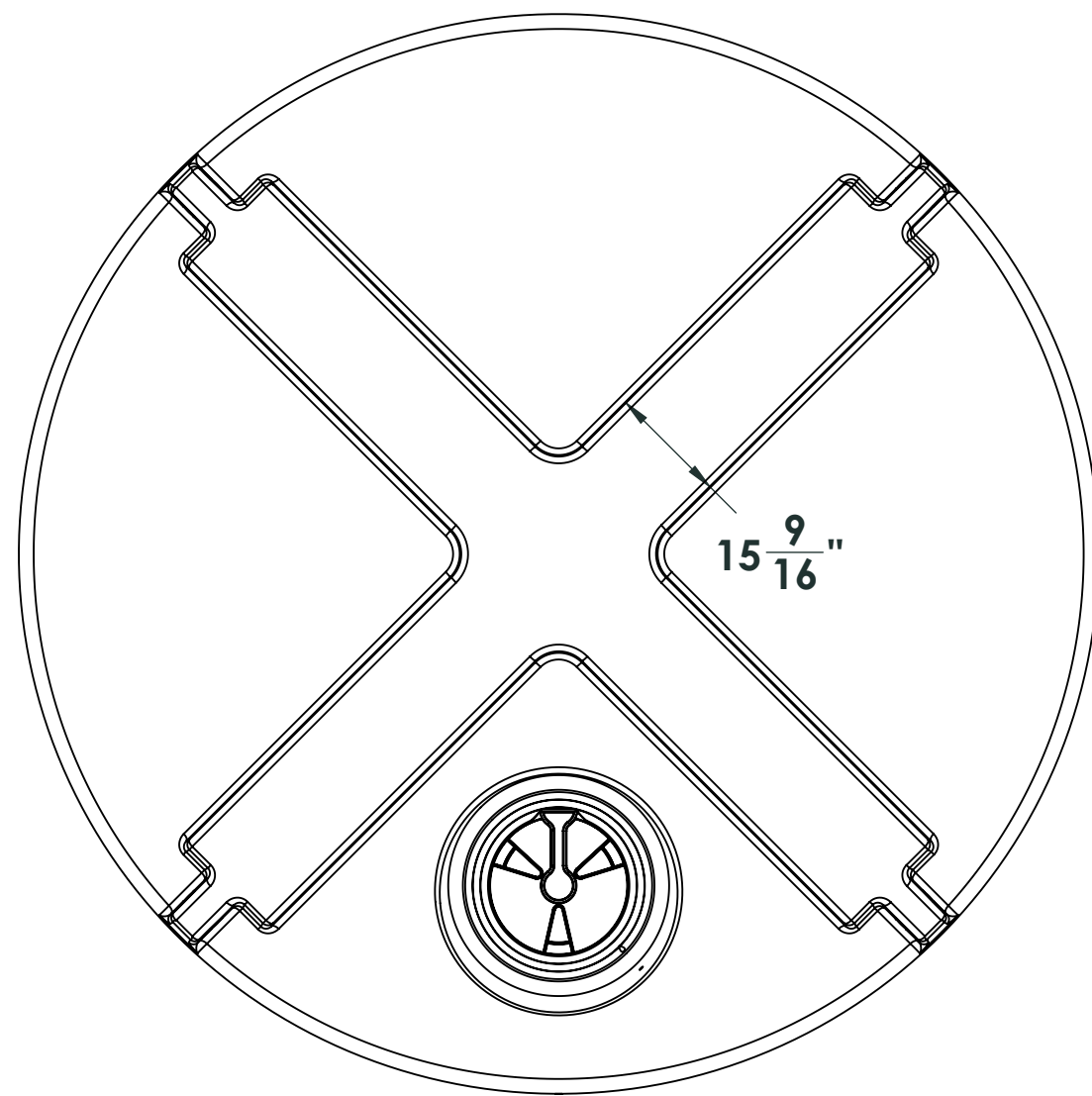


4

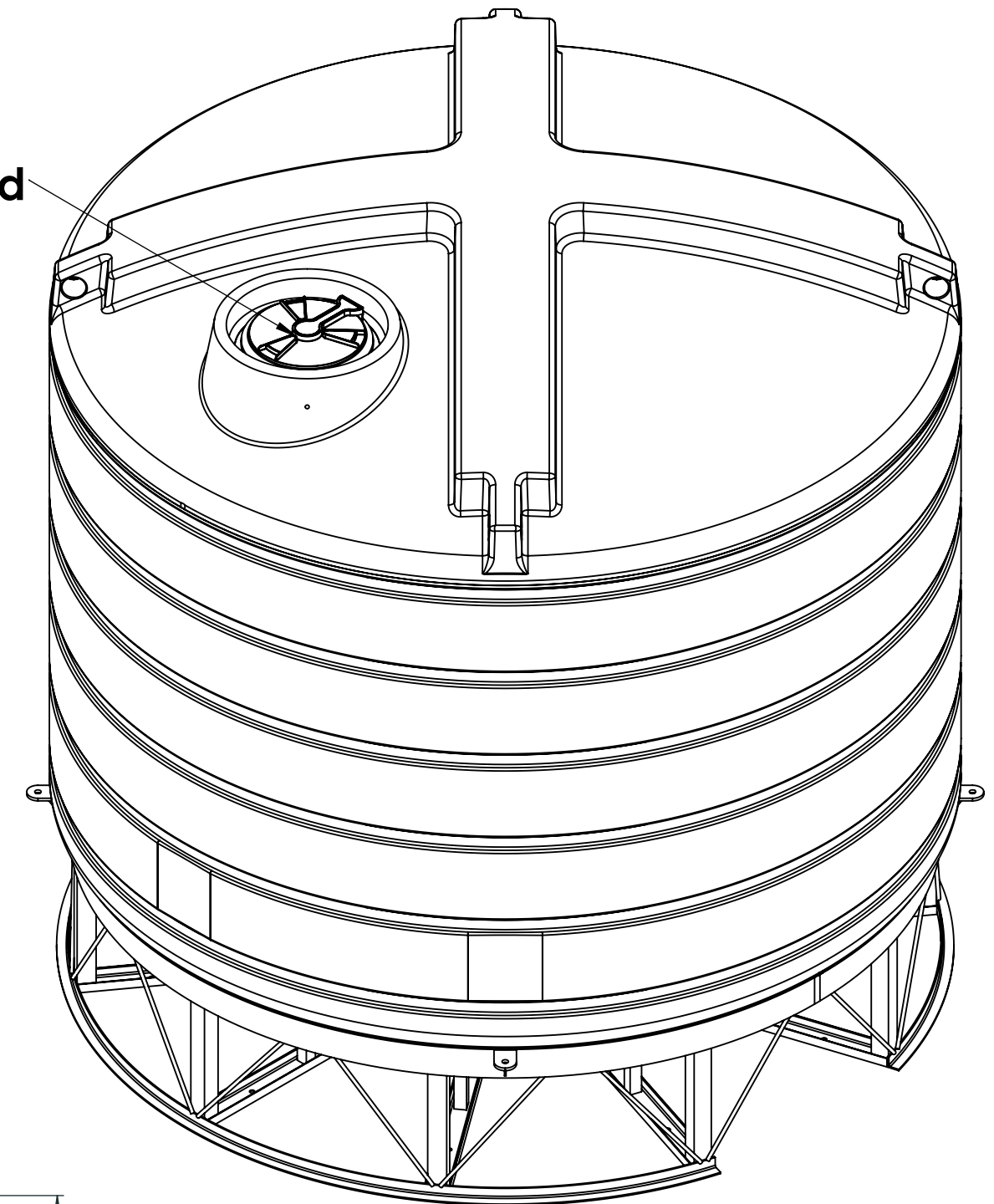
3

2

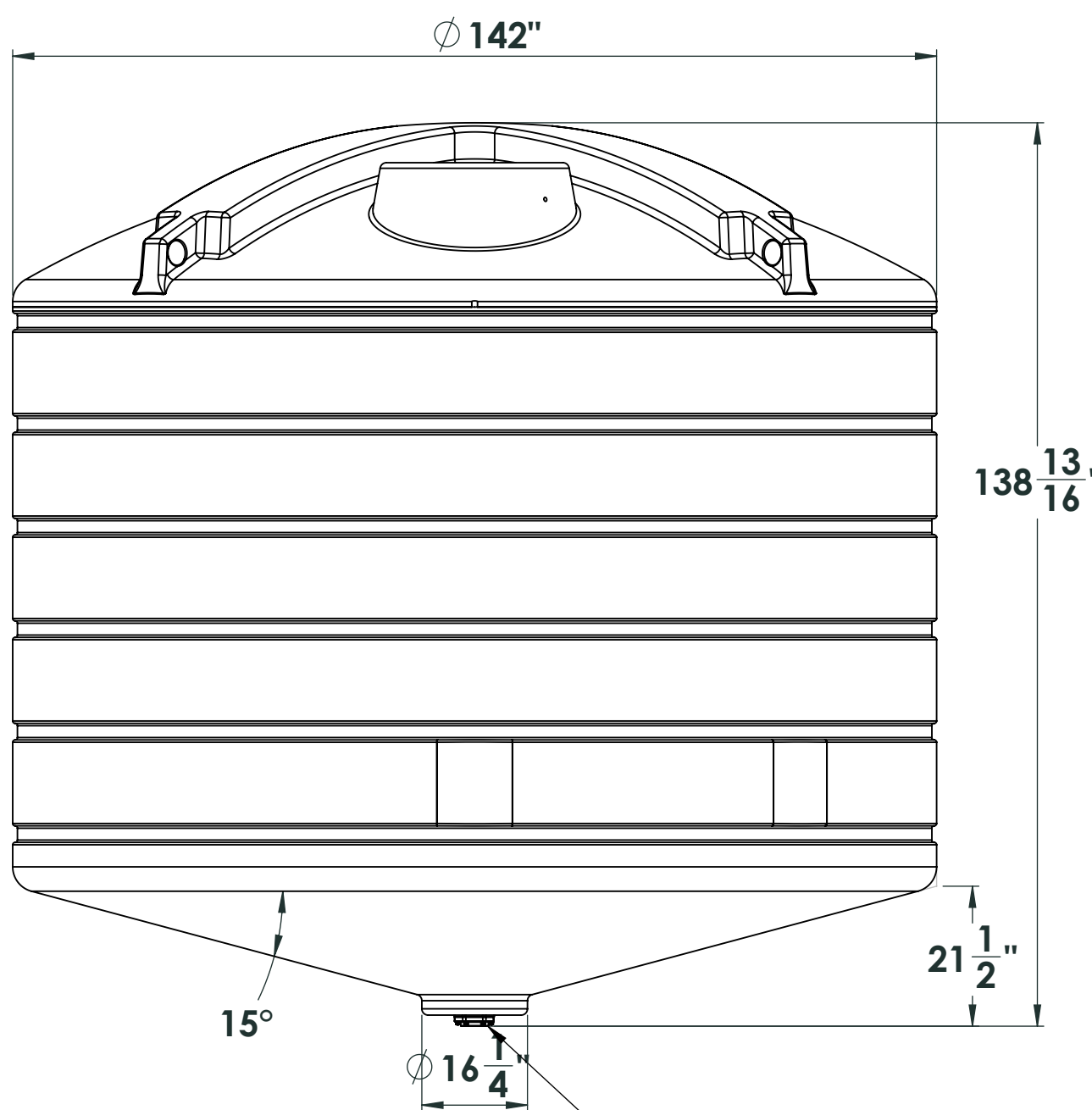
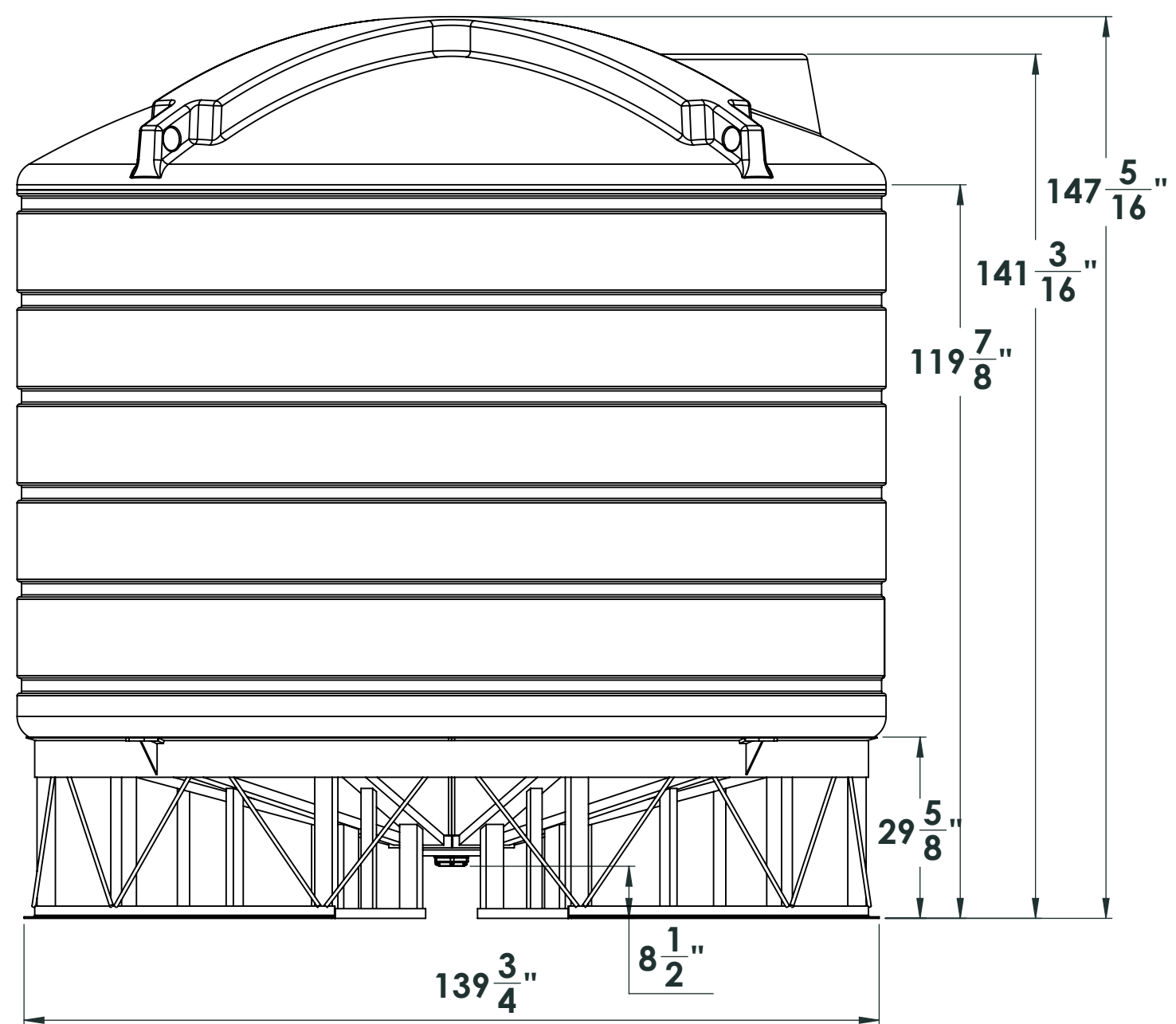
1



16 inch lid



Shown with AZFC06011 stand



3 inch bolted - bottom drain fitting

**NOTE: Allow +/- 1.5% Shrinkage**

For more information or to get your questions answered, contact us!  
[www.clarionmunicipal.com](http://www.clarionmunicipal.com) or call us at : (+1) 863-261-8388 | [info@oneclarion.com](mailto:info@oneclarion.com)

**PROPRIETARY AND CONFIDENTIAL**  
 THE INFORMATION CONTAINED IN THIS DRAWING IS THE SOLE PROPERTY OF ENDURAPLAS LLC. ANY REPRODUCTION IN PART OR AS A WHOLE WITHOUT THE WRITTEN PERMISSION OF ENDURAPLAS LLC IS PROHIBITED.

|                                      |                      |           |      |                |          |
|--------------------------------------|----------------------|-----------|------|----------------|----------|
| UNLESS OTHERWISE SPECIFIED:          |                      | NAME      | DATE | ENDURAPLAS LLC |          |
| DIMENSIONS ARE IN INCHES             |                      | DRAWN     | DNS  | 11/2/16        | TITLE:   |
| TOLERANCES:                          |                      | CHECKED   |      |                | THC07011 |
| FRACTIONAL ±                         |                      | ENG APPR. |      |                | SIZE     |
| ANGULAR: MACH ±                      |                      | MFG APPR. |      |                | DWG. NO. |
| TWO PLACE DECIMAL ±                  |                      | Q.A.      |      |                | REV      |
| THREE PLACE DECIMAL ±                |                      | COMMENTS: |      |                | 1        |
| INTERPRET GEOMETRIC TOLERANCING PER: | MATERIAL             |           |      | SCALE: 1:50    | WEIGHT:  |
| FINISH                               | DO NOT SCALE DRAWING |           |      | SHEET 1 OF 1   |          |
| NEXT ASSY                            | USED ON              |           |      |                |          |
| APPLICATION                          |                      |           |      |                |          |

4

3

2

1