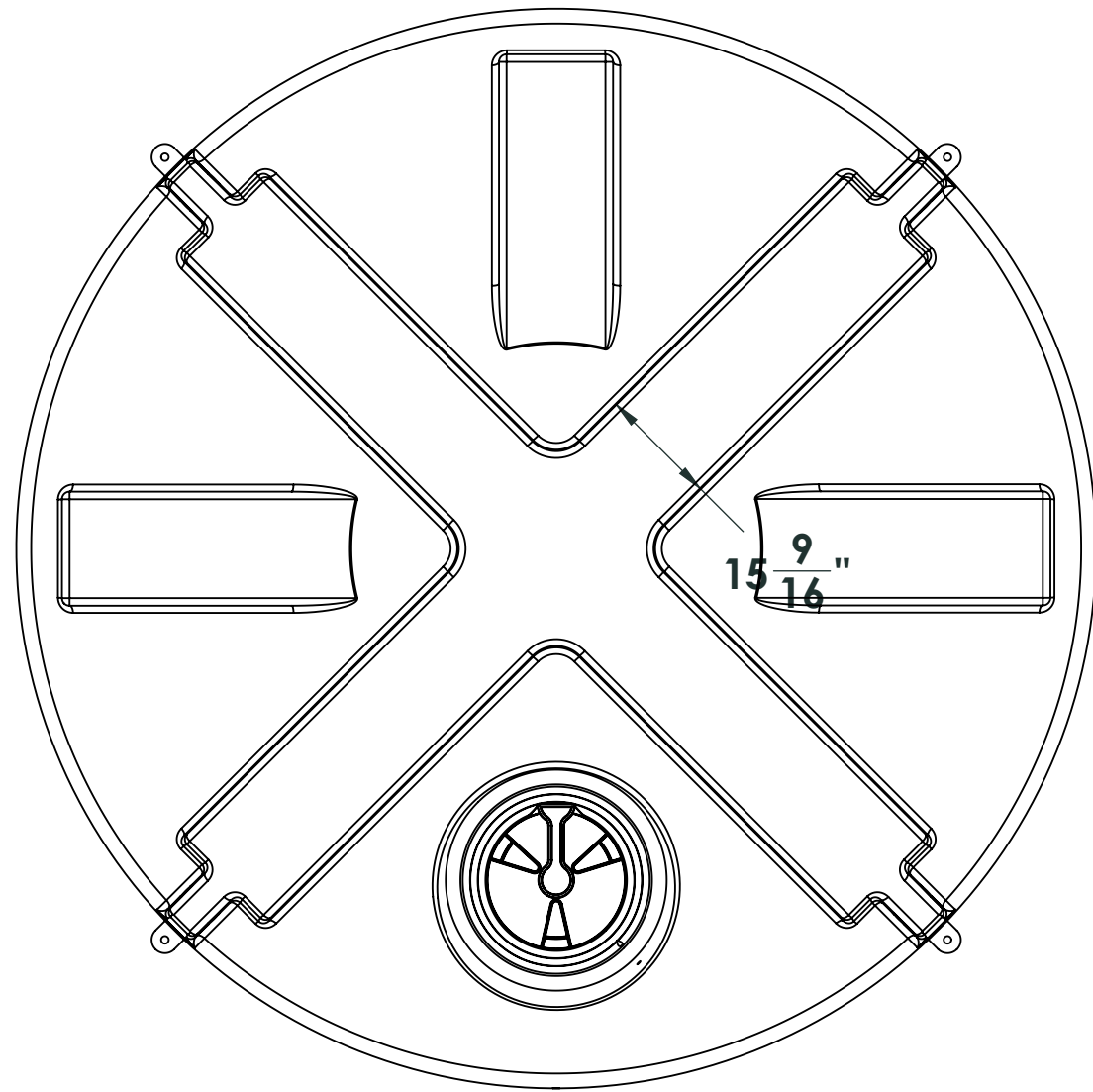


4

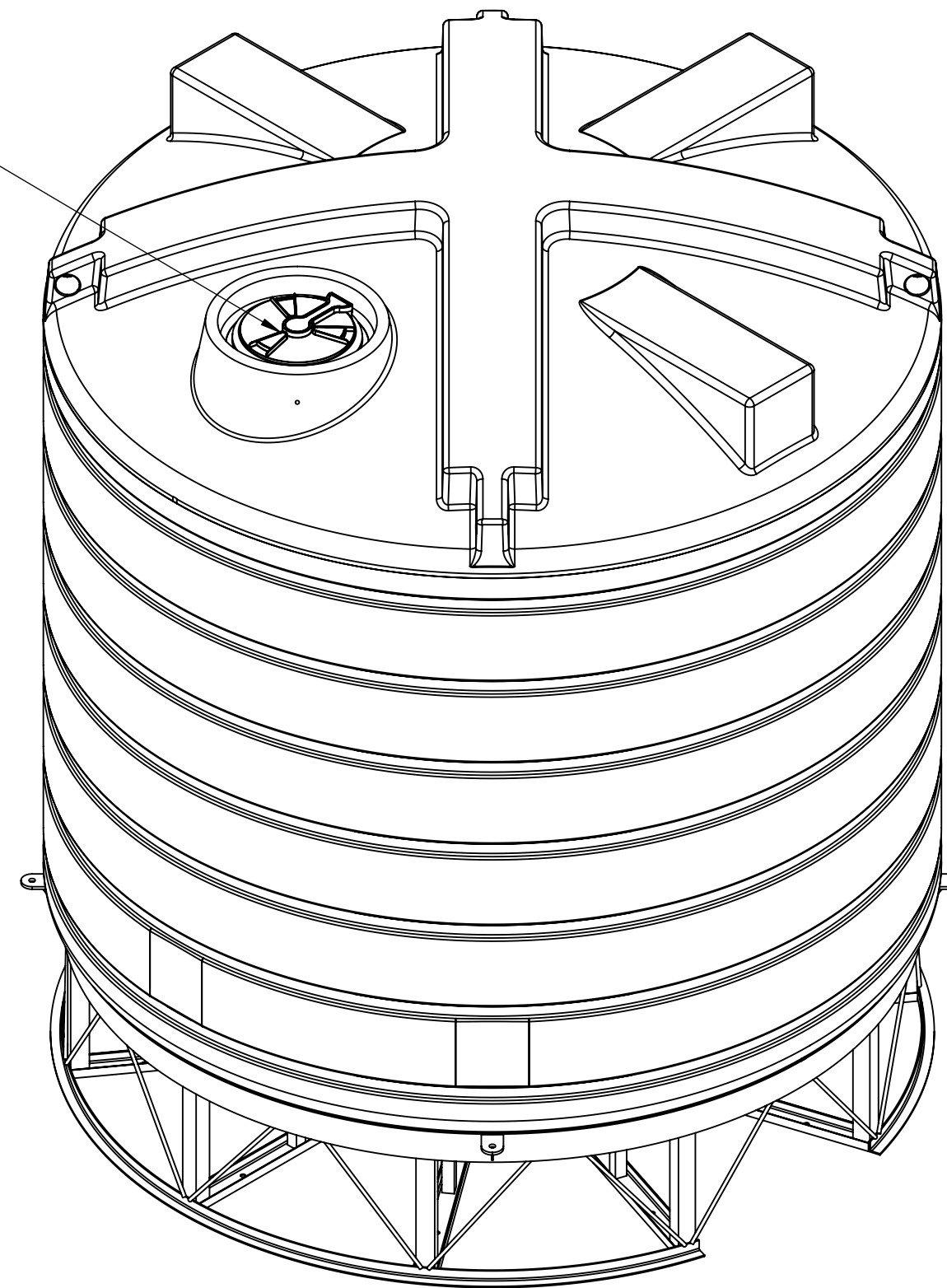
3

2

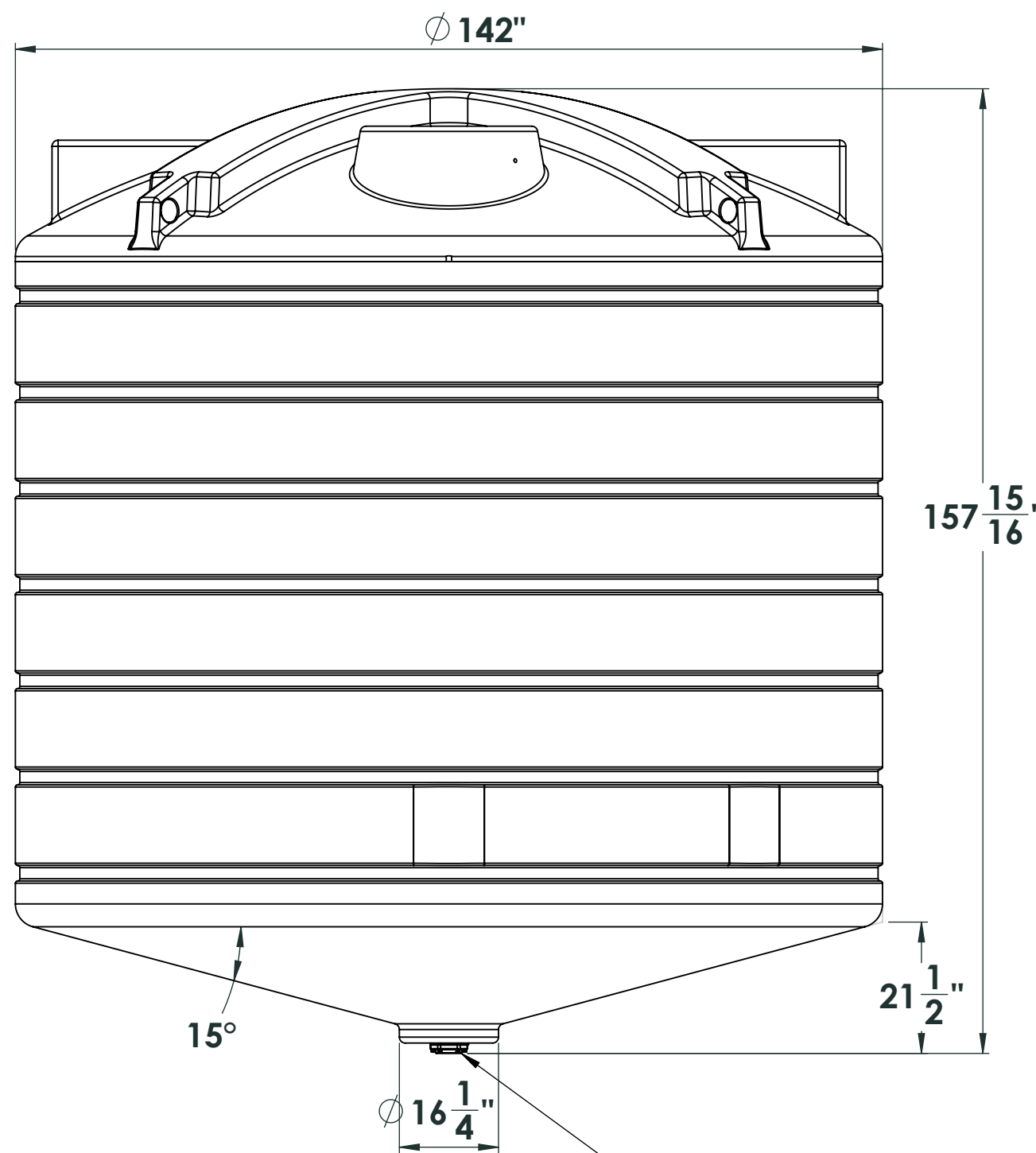
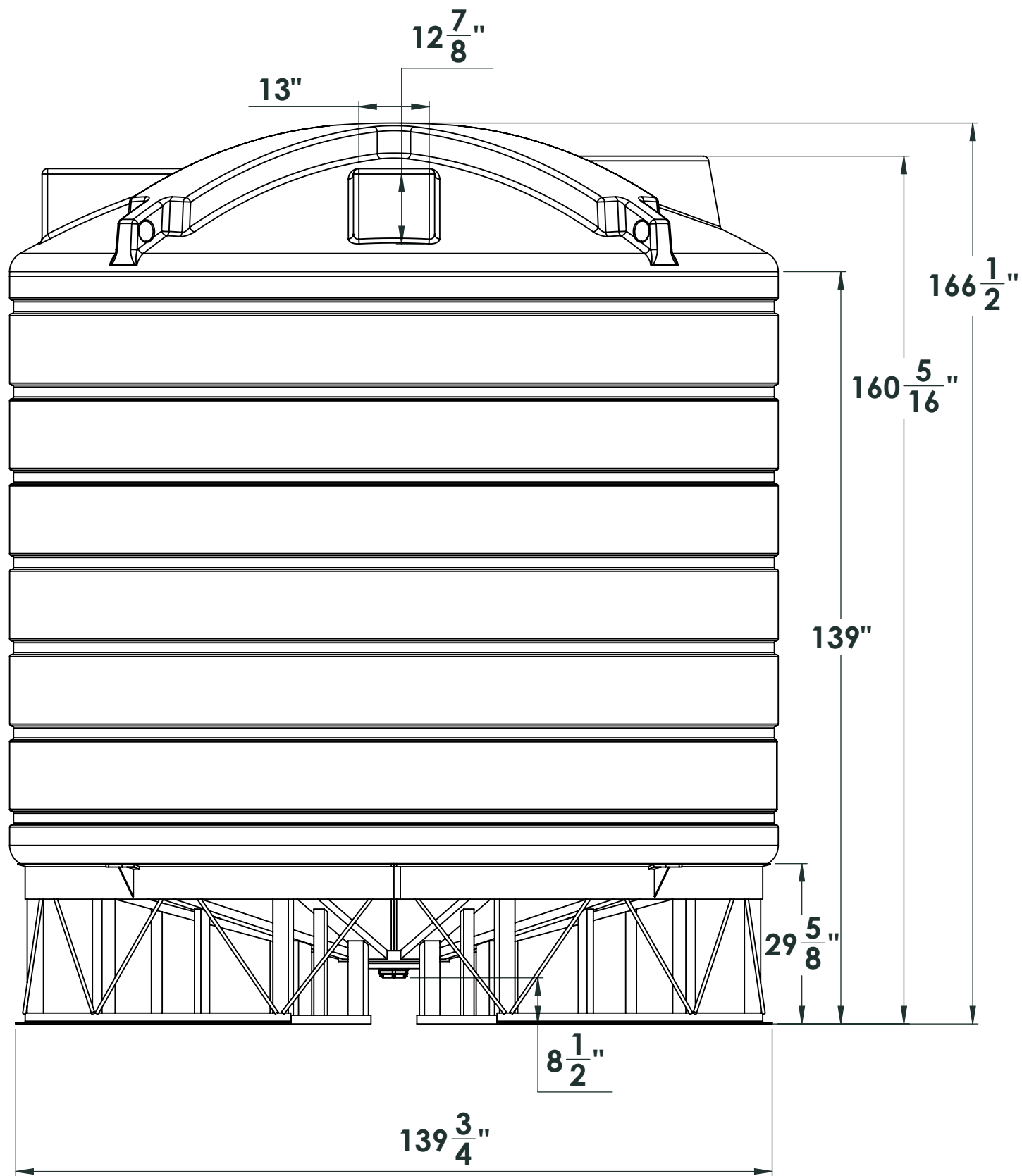
1



16 inch lid



Shown with AZFC06011 stand



3 inch bolted - bottom drain fitting

NOTE: Allow +/- 1.5% Shrinkage

For more information or to get your questions answered, contact us!
www.clarionmunicipal.com or call us at : (+1) 863-261-8388 | info@oneclarion.com

PROPRIETARY AND CONFIDENTIAL
THE INFORMATION CONTAINED IN THIS DRAWING IS THE SOLE PROPERTY OF ENDURAPLAS LLC. ANY REPRODUCTION IN PART OR AS A WHOLE WITHOUT THE WRITTEN PERMISSION OF ENDURAPLAS LLC IS PROHIBITED.

UNLESS OTHERWISE SPECIFIED:		NAME	DATE	ENDURAPLAS LLC	
DIMENSIONS ARE IN INCHES		DRAWN	DNS	11/2/16	TITLE:
TOLERANCES:		CHECKED			THC08000
FRACTIONAL ±		ENG APPR.			SIZE
ANGULAR: MACH ±		MFG APPR.			DWG. NO.
TWO PLACE DECIMAL ±		Q.A.			REV
THREE PLACE DECIMAL ±		COMMENTS:			1
INTERPRET GEOMETRIC TOLERANCING PER:					SCALE: 1:50
MATERIAL					WEIGHT:
FINISH					SHEET 1 OF 1
NEXT ASSY	USED ON				
APPLICATION					
DO NOT SCALE DRAWING					

4

3

2

1