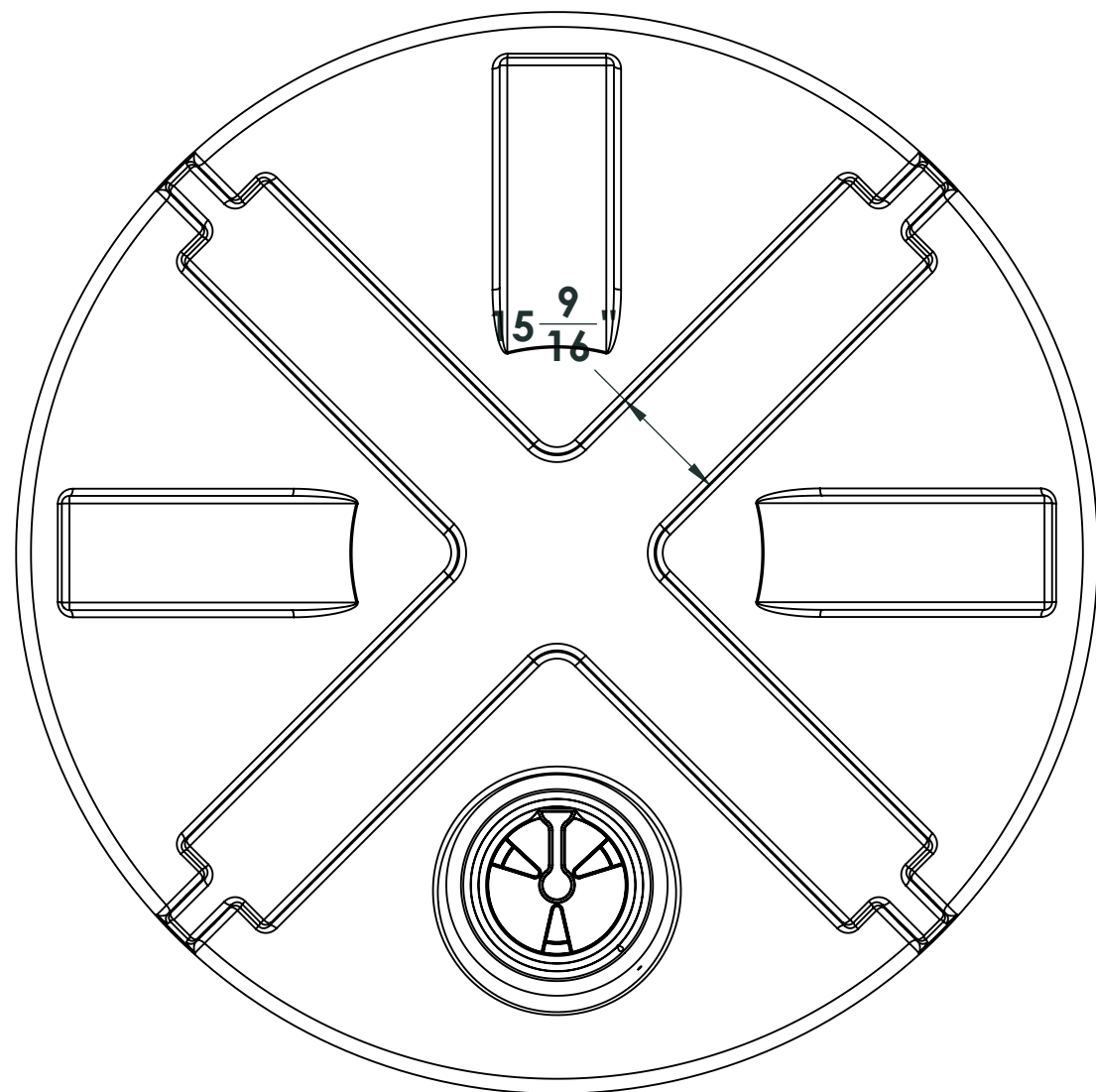


4

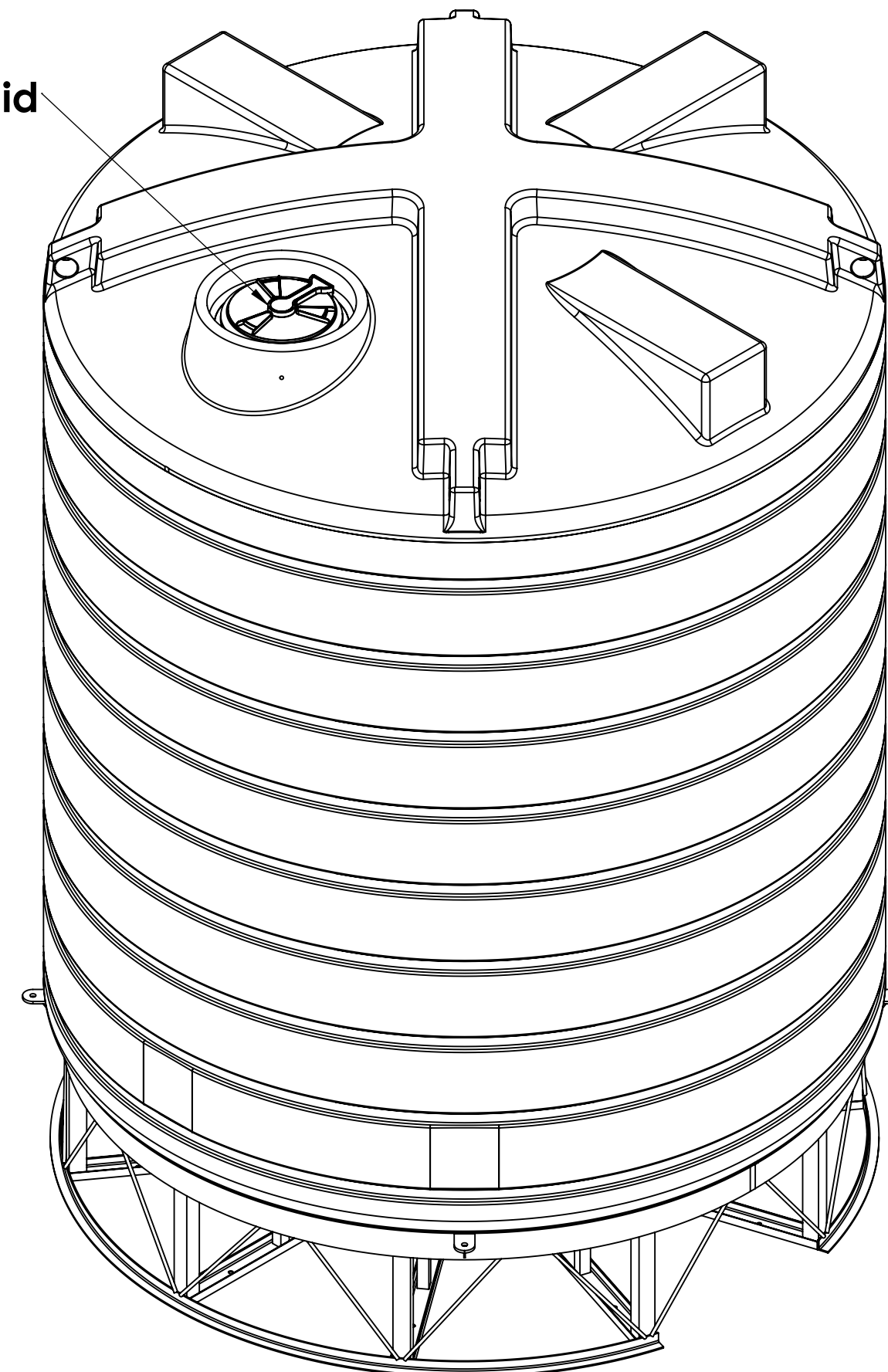
3

2

1



16 inch lid



Shown with AZFC06011 stand

D

D

C

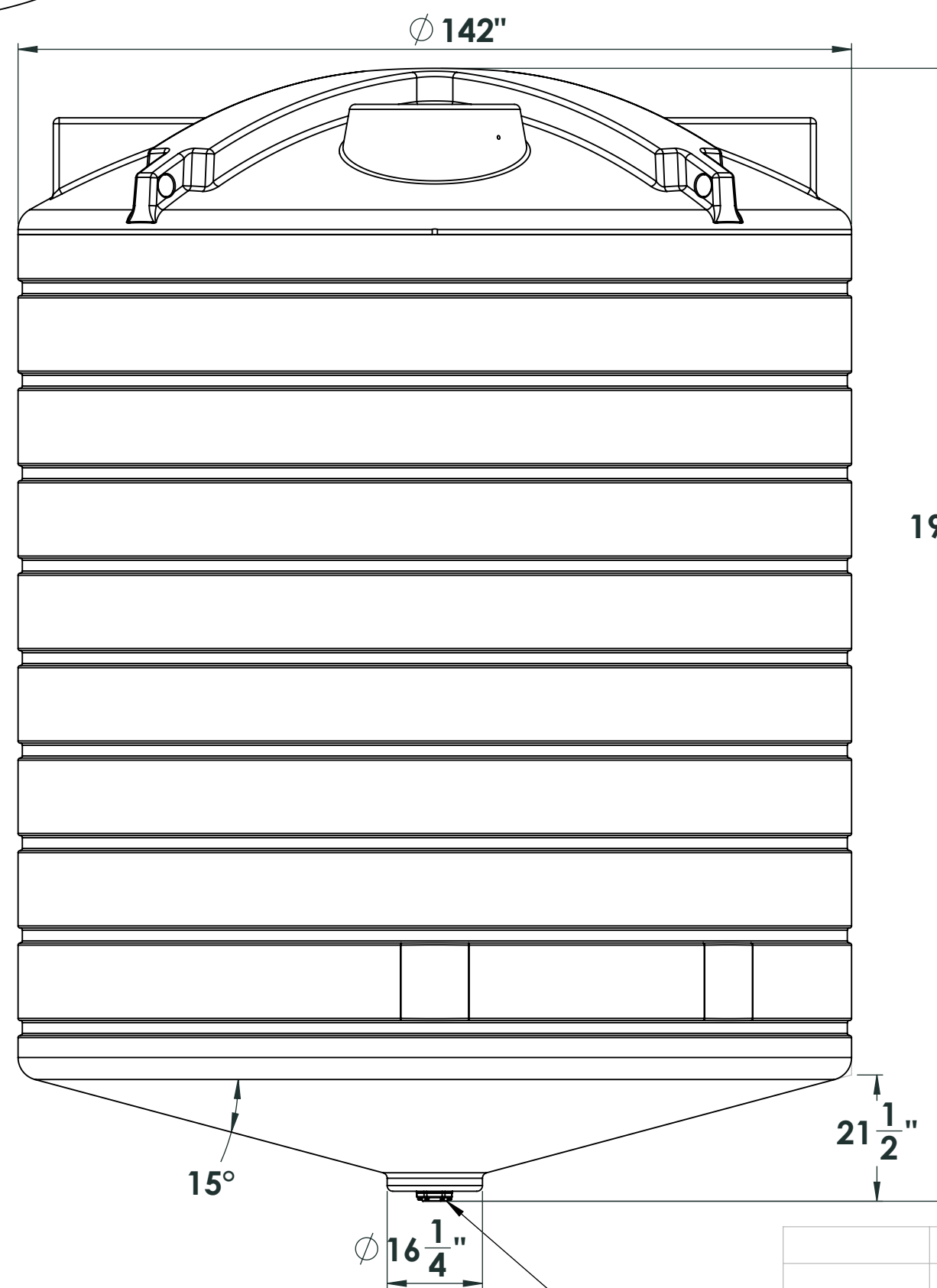
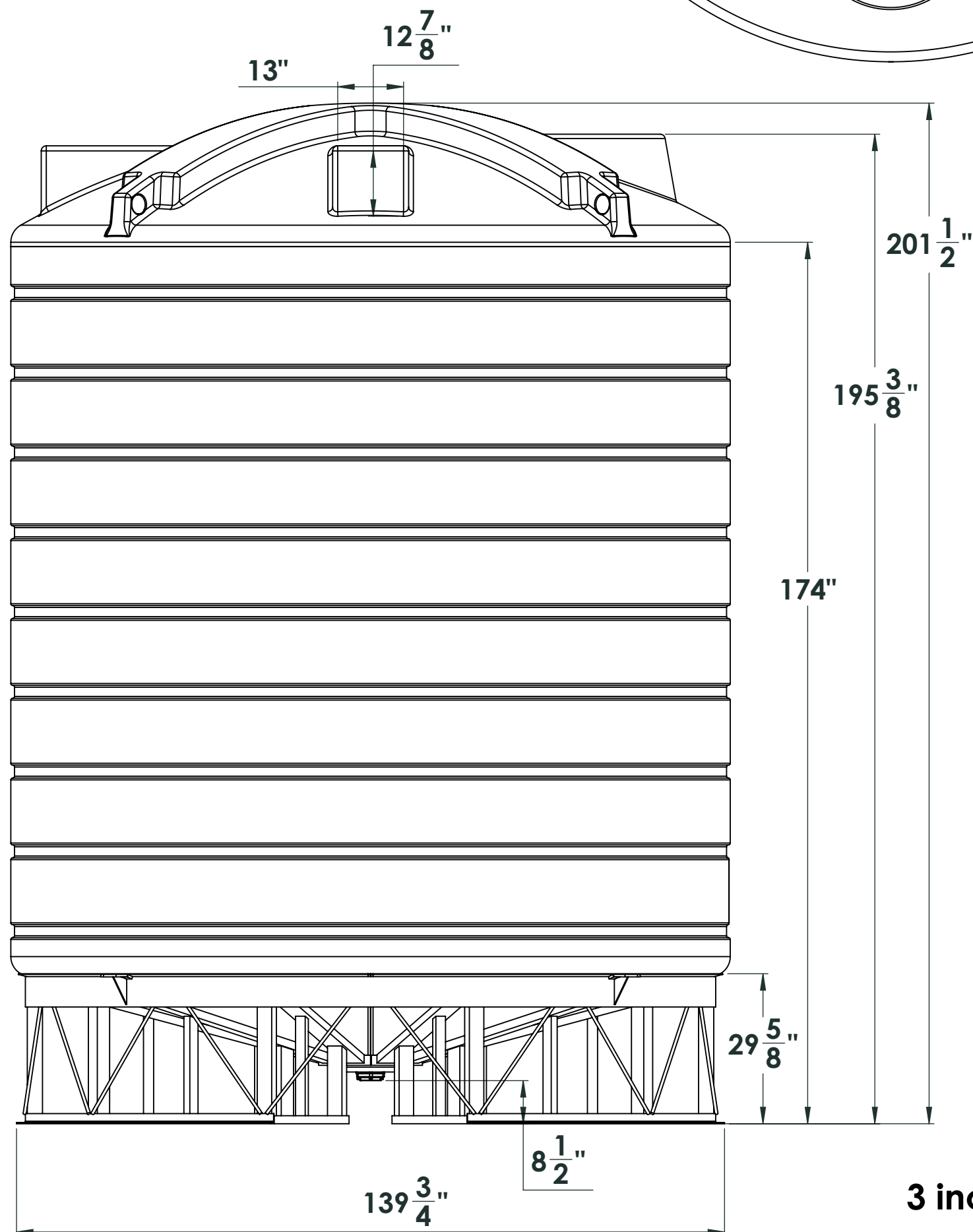
C

B

B

A

A



3 inch bolted - bottom drain fitting

**NOTE: Allow +/- 1.5% Shrinkage**

For more information or to get your questions answered, contact us!  
[www.clarionmunicipal.com](http://www.clarionmunicipal.com) or call us at : (+1) 863-261-8388 | [info@oneclarion.com](mailto:info@oneclarion.com)

**PROPRIETARY AND CONFIDENTIAL**  
 THE INFORMATION CONTAINED IN THIS DRAWING IS THE SOLE PROPERTY OF ENDURAPLAS LLC. ANY REPRODUCTION IN PART OR AS A WHOLE WITHOUT THE WRITTEN PERMISSION OF ENDURAPLAS LLC IS PROHIBITED.

UNLESS OTHERWISE SPECIFIED:		NAME	DATE	ENDURAPLAS LLC	
DIMENSIONS ARE IN INCHES		DRAWN	DNS	TITLE:	
TOLERANCES:		CHECKED		THC10000	
FRACTIONAL ±		ENG APPR.		SIZE	DWG. NO.
ANGULAR: MACH ±		MFG APPR.		<b>C</b>	
TWO PLACE DECIMAL ±		Q.A.		SCALE: 1:50	WEIGHT:
THREE PLACE DECIMAL ±		COMMENTS:			SHEET 1 OF 1
INTERPRET GEOMETRIC TOLERANCING PER:				REV	<b>1</b>
MATERIAL					
FINISH					
NEXT ASSY	USED ON				
APPLICATION		DO NOT SCALE DRAWING			

4

3

2

1