

4

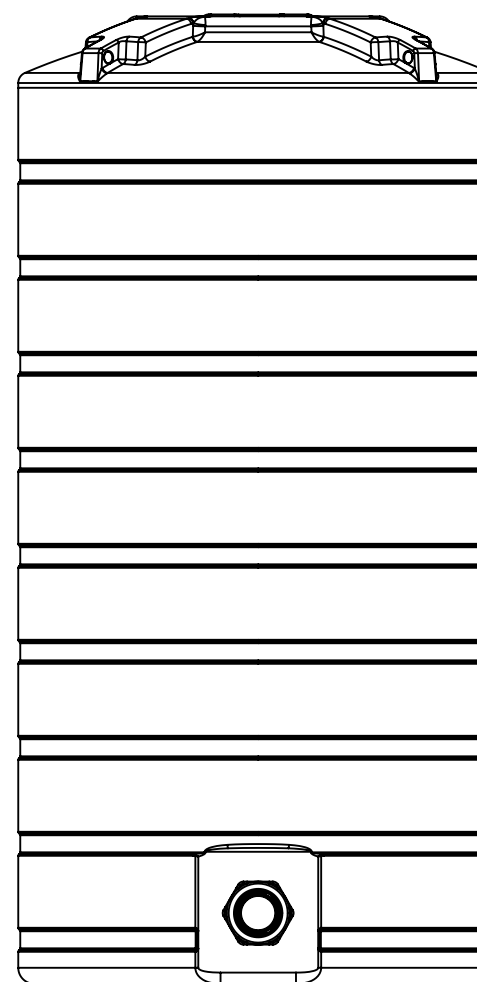
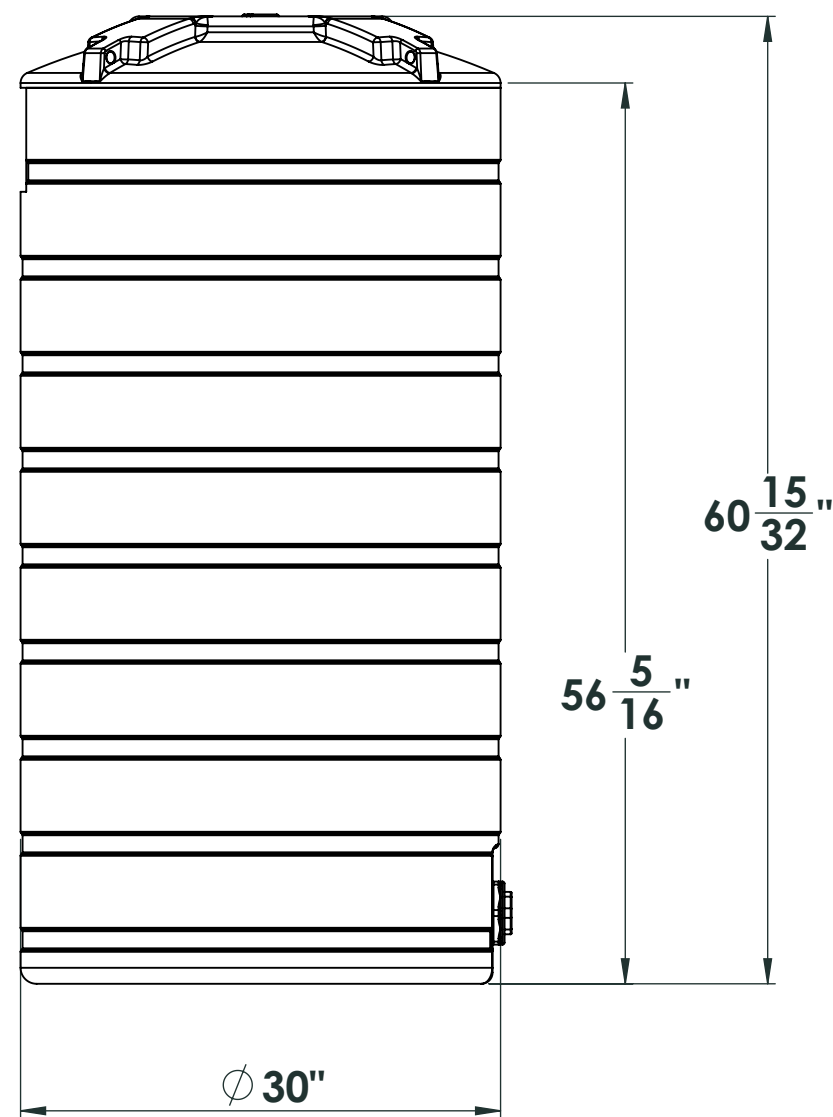
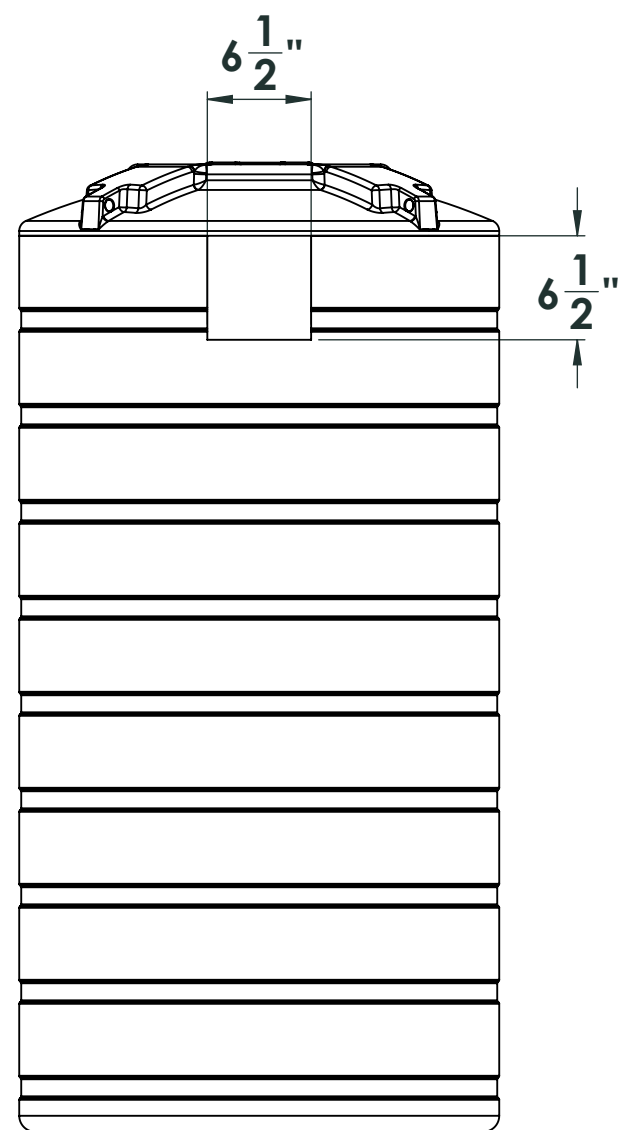
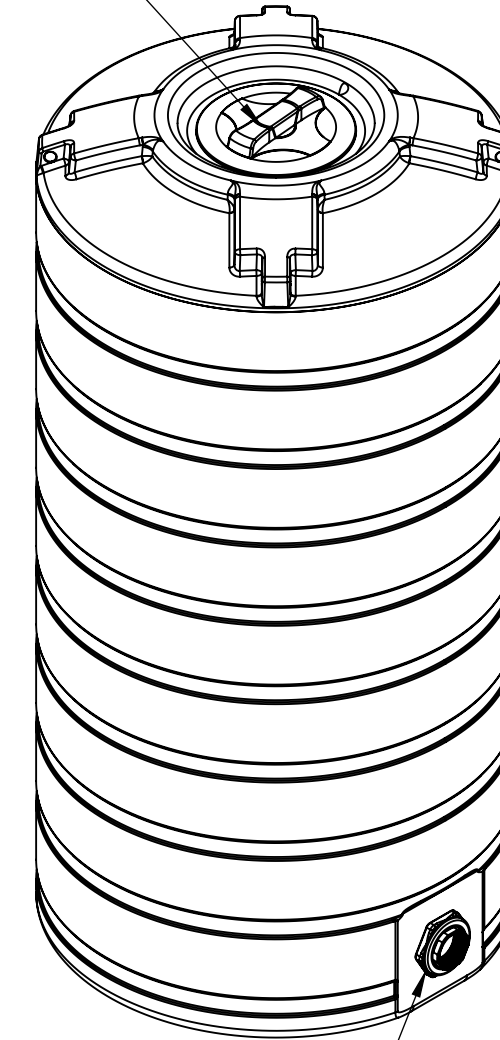
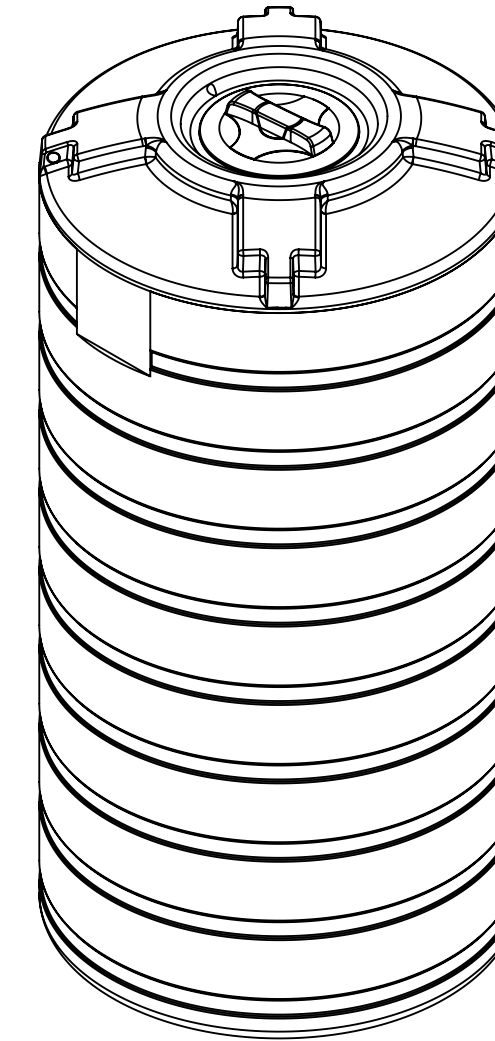
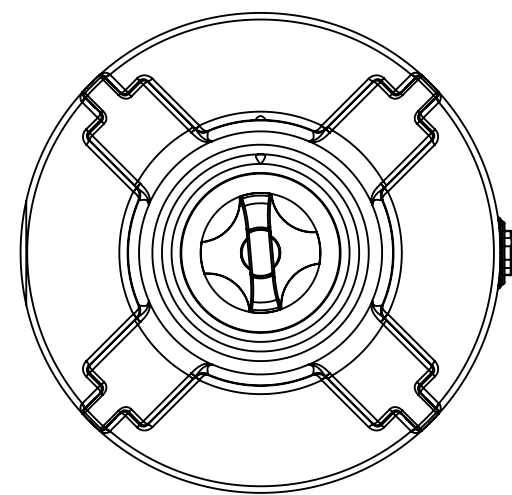
3

2

1

8 inch lid

2 inch threaded fitting



NOTE: Allow +/- 1.5% Shrinkage

UNLESS OTHERWISE SPECIFIED:		NAME	DATE	ENDURAPLAS LLC
DIMENSIONS ARE IN INCHES		DRAWN	DNS	
TOLERANCES:		CHECKED		TITLE:
FRACTIONAL ±		ENG APPR.		THV00150
ANGULAR: MACH ± BEND ±		MFG APPR.		SIZE DWG. NO.
TWO PLACE DECIMAL ±		Q.A.		C
THREE PLACE DECIMAL ±		COMMENTS:		REV
INTERPRET GEOMETRIC TOLERANCING PER:				1
MATERIAL				SCALE: 1:20 WEIGHT:
FINISH				SHEET 1 OF 1
NEXT ASSY	USED ON			
APPLICATION				
DO NOT SCALE DRAWING				

PROPRIETARY AND CONFIDENTIAL
 THE INFORMATION CONTAINED IN THIS DRAWING IS THE SOLE PROPERTY OF ENDURAPLAS LLC. ANY REPRODUCTION IN PART OR AS A WHOLE WITHOUT THE WRITTEN PERMISSION OF ENDURAPLAS LLC IS PROHIBITED.

For more information or to get your questions answered, contact us!
www.clarionmunicipal.com or call us at : (+1) 863-261-8388 | info@oneclarion.com

4

3

2

1