

8

7

6

5

4

3

2

1

F

E

D

C

B

A

F

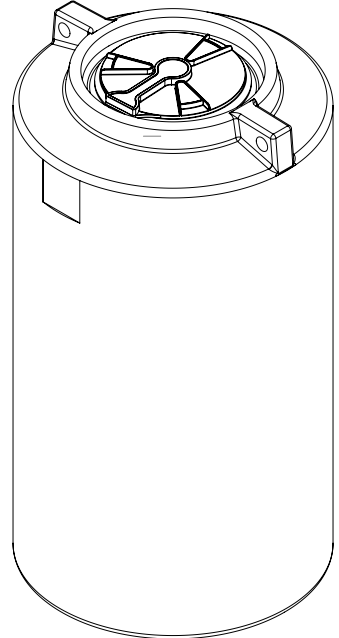
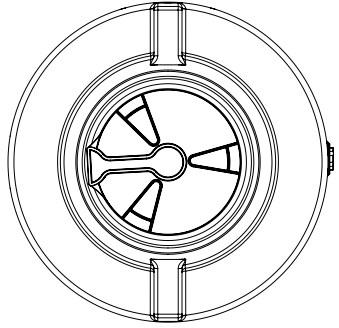
E

D

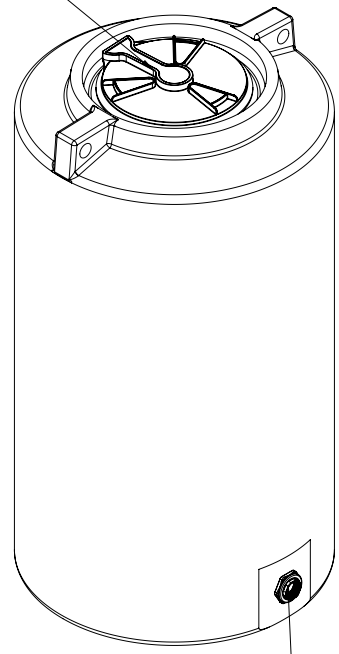
C

B

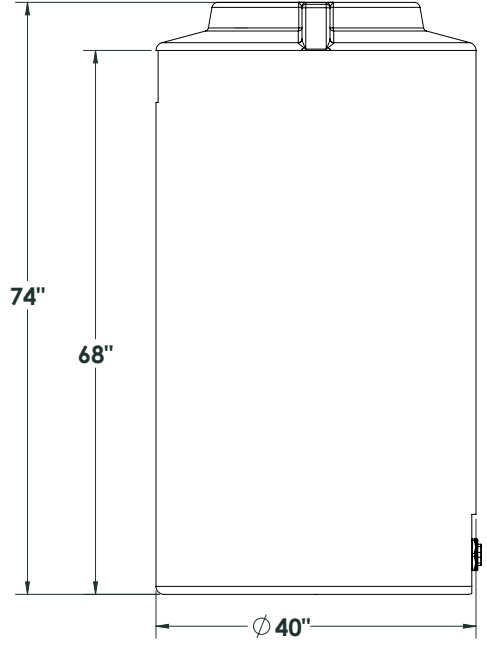
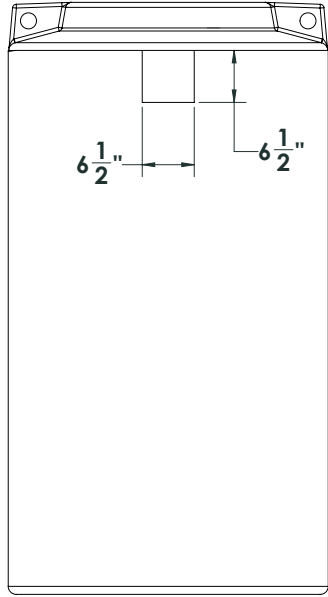
A



16 inch lid



2 inch threaded fitting



**NOTE: Allow +/- 1.5% Shrinkage**

		UNLESS OTHERWISE SPECIFIED:	NAME	DATE	<b>ENDURAPLAS LLC</b>
		DIMENSIONS ARE IN INCHES	DRAWN	DNS	
		TOLERANCES:	CHECKED		TITLE:
		FRACTIONAL: ±	ENG APPR.		<b>THV00340</b>
		ANGULAR: MACH ± BEND ±	MFG APPR.		
		TWO PLACE DECIMAL: ±	Q.A.		SIZE DWG. NO.
		THREE PLACE DECIMAL: ±	COMMENTS:		<b>C</b>
		INTERPRET GEOMETRIC TOLERANCING PER:			REV
		MATERIAL			<b>1</b>
NEXT ASSY	USED ON	FINISH			SCALE: 1:16 WEIGHT:
		DO NOT SCALE DRAWING			SHEET 1 OF 1

**PROPRIETARY AND CONFIDENTIAL**  
 THE INFORMATION CONTAINED IN THIS DRAWING IS THE SOLE PROPERTY OF ENDURAPLAS LLC. ANY REPRODUCTION IN PART OR AS A WHOLE WITHOUT THE WRITTEN PERMISSION OF ENDURAPLAS LLC IS PROHIBITED.

For more information or to get your questions answered, contact us!  
[www.clarionmunicipal.com](http://www.clarionmunicipal.com) or call us at : (+1) 863-261-8388 | [info@oneclarion.com](mailto:info@oneclarion.com)

8

7

6

5

4

3

2

1