

8

7

6

5

4

3

2

1

F

E

D

C

B

A

F

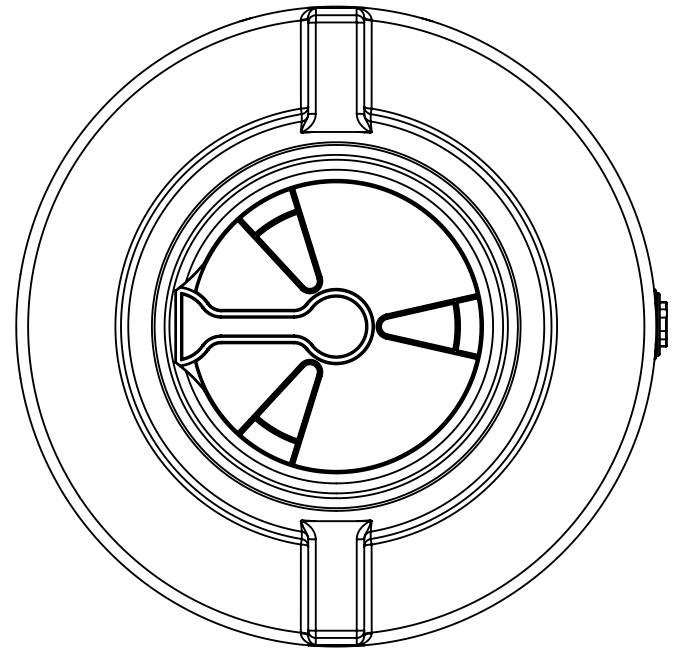
E

D

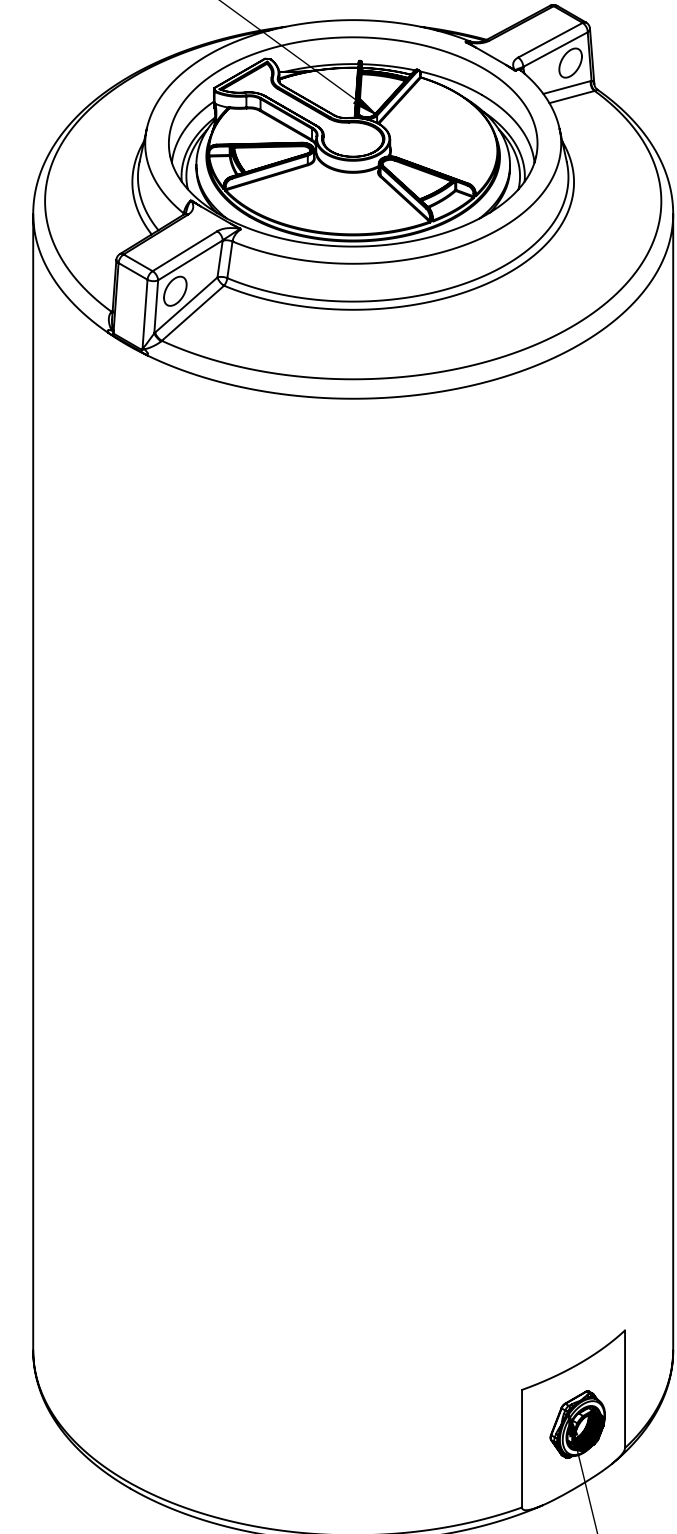
C

B

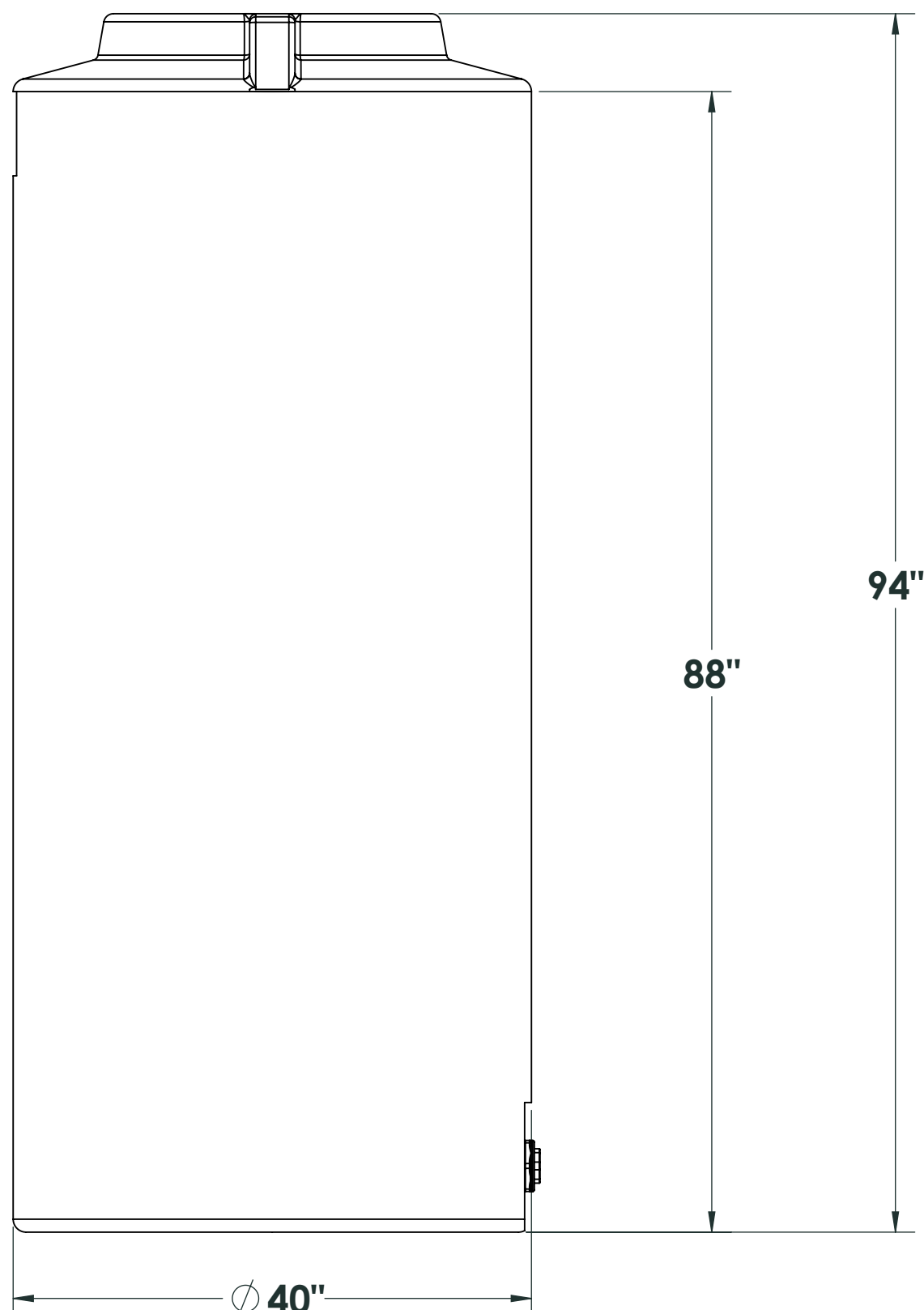
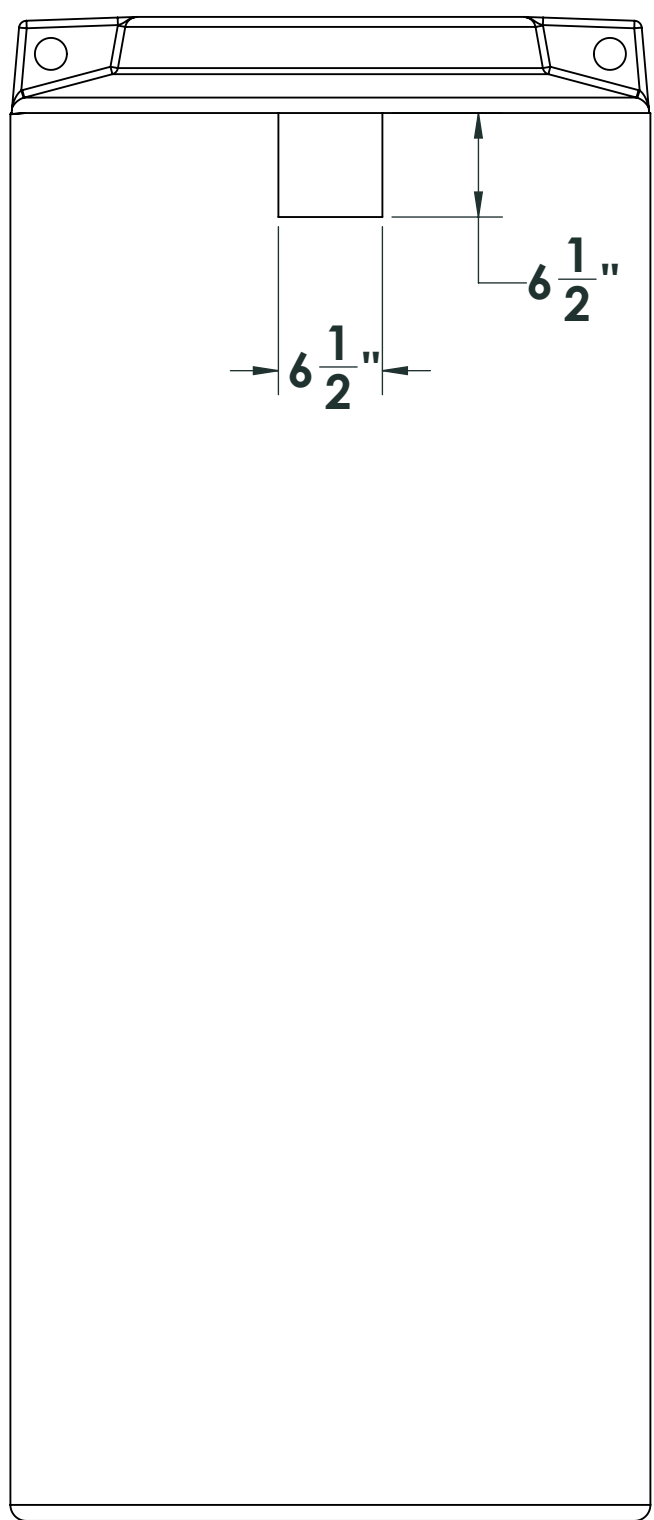
A



16 inch lid



2 inch threaded fitting



NOTE: Allow +/- 1.5% Shrinkage

For more information or to get your questions answered, contact us!
www.clarionmunicipal.com or call us at : (+1) 863-261-8388 | info@oneclarion.com

PROPRIETARY AND CONFIDENTIAL
 THE INFORMATION CONTAINED IN THIS DRAWING IS THE SOLE PROPERTY OF ENDURAPLAS LLC. ANY REPRODUCTION IN PART OR AS A WHOLE WITHOUT THE WRITTEN PERMISSION OF ENDURAPLAS LLC IS PROHIBITED.

		UNLESS OTHERWISE SPECIFIED:		NAME	DATE	ENDURAPLAS LLC	
		DIMENSIONS ARE IN INCHES		DRAWN	DNS	10/31/16	TITLE:
		TOLERANCES:		CHECKED			THV00450
		FRACTIONAL ±		ENG APPR.			SIZE DWG. NO.
		ANGULAR: MACH ± BEND ±		MFG APPR.			C
		TWO PLACE DECIMAL ±		Q.A.			REV
		THREE PLACE DECIMAL ±		COMMENTS:			1
		INTERPRET GEOMETRIC TOLERANCING PER:					SCALE: 1:16 WEIGHT:
		MATERIAL					SHEET 1 OF 1
		FINISH					
NEXT ASSY	USED ON	APPLICATION					
		DO NOT SCALE DRAWING					

8

7

6

5

4

3

2

1