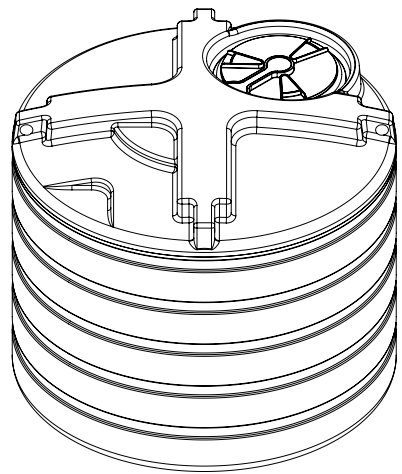
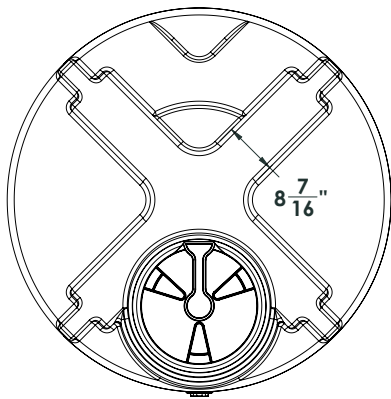


4

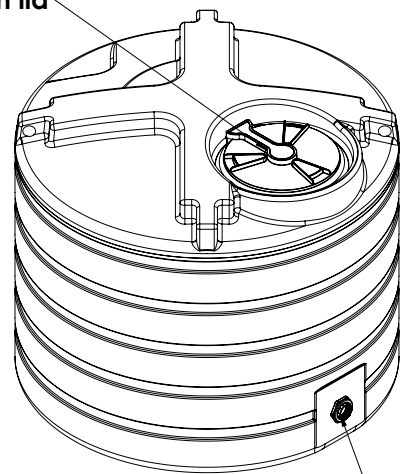
3

2

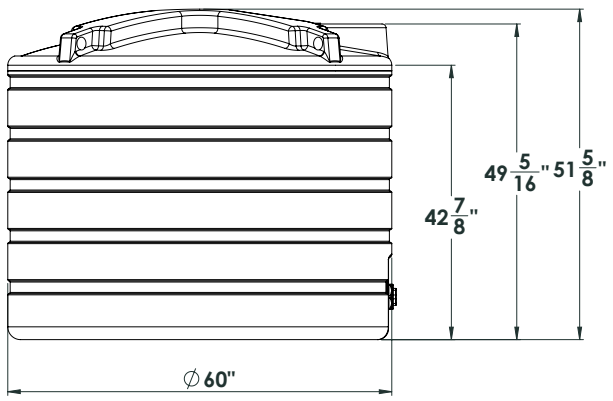
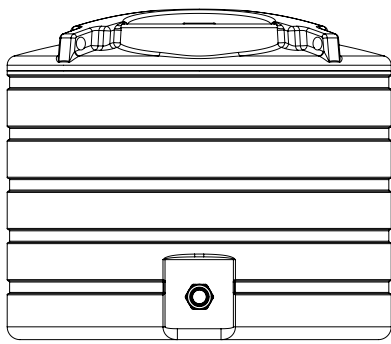
1



16 inch lid



2 inch threaded fitting



NOTE: Allow +/- 1.5% Shrinkage

PROPRIETARY AND CONFIDENTIAL
 THE INFORMATION CONTAINED IN THIS DRAWING IS THE SOLE PROPERTY OF ENDURAPLAS LLC. ANY REPRODUCTION IN PART OR AS A WHOLE WITHOUT THE WRITTEN PERMISSION OF ENDURAPLAS LLC IS PROHIBITED.

| | | | |
|--------------------------------------|----------------------|-----------|--------------|
| UNLESS OTHERWISE SPECIFIED: | | NAME | DATE |
| DIMENSIONS ARE IN INCHES | | DRAWN | DNS 10/31/16 |
| TOLERANCES: | | CHECKED | |
| FRACTIONAL ± | | ENG APPR. | |
| ANGULAR: MATCH ± | | MFG APPR. | |
| BEND ± | | Q.A. | |
| TWO PLACE DECIMAL ± | | COMMENTS: | |
| THREE PLACE DECIMAL ± | | | |
| INTERPRET GEOMETRIC TOLERANCING PER: | | | |
| MATERIAL: | | | |
| FINISH: | | | |
| NEXT ASSY | USED ON | | |
| APPLICATION | DO NOT SCALE DRAWING | | |

| | | |
|----------------|----------|--------------|
| ENDURAPLAS LLC | | |
| TITLE: | | |
| THV00550 | | |
| SIZE | DWG. NO. | REV |
| C | | 1 |
| SCALE: 1:20 | WEIGHT: | SHEET 1 OF 1 |

For more information or to get your questions answered, contact us!
www.clarionmunicipal.com or call us at : (+1) 863-261-8388 | info@oneclarion.com

4

3

2

1