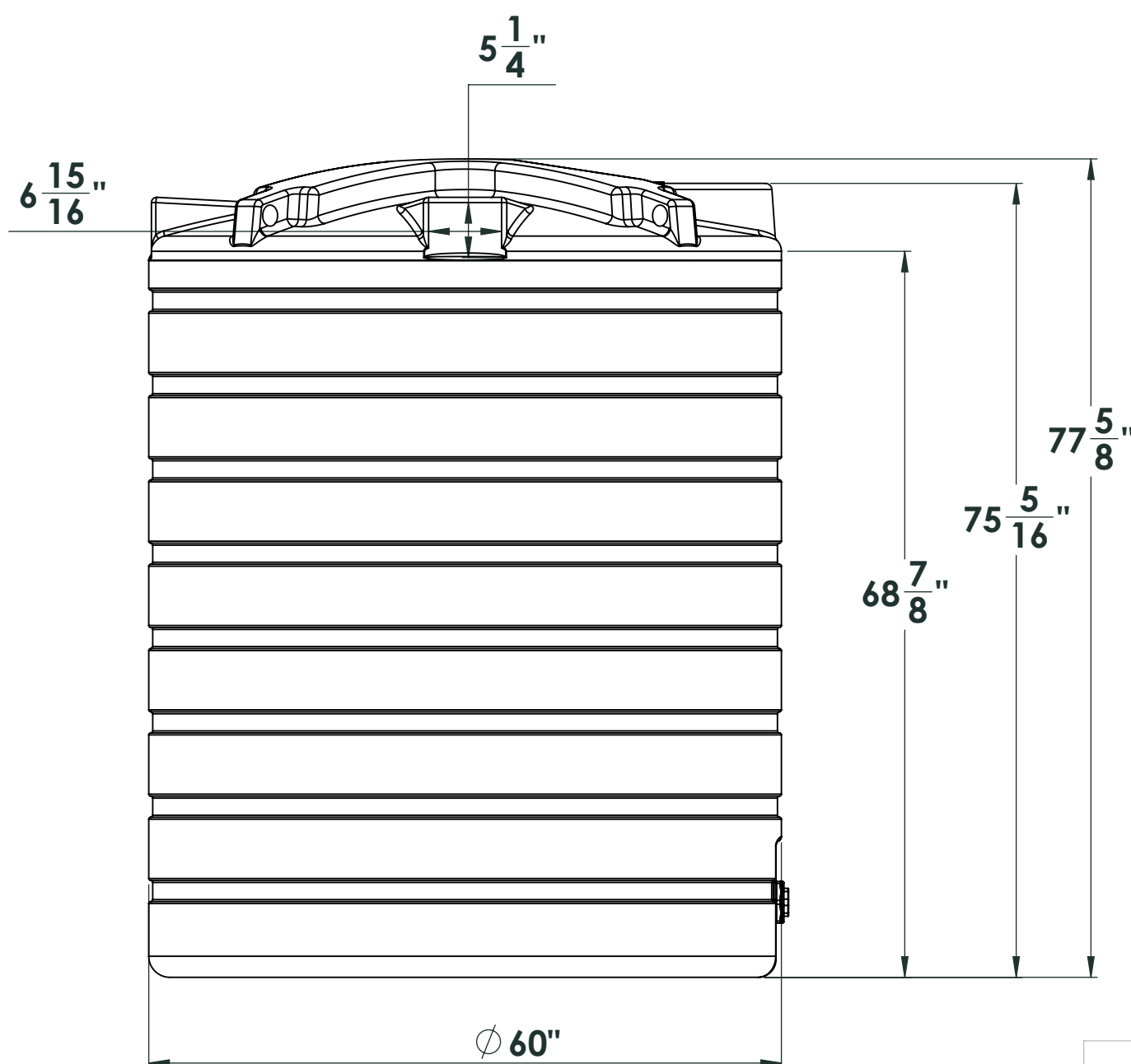
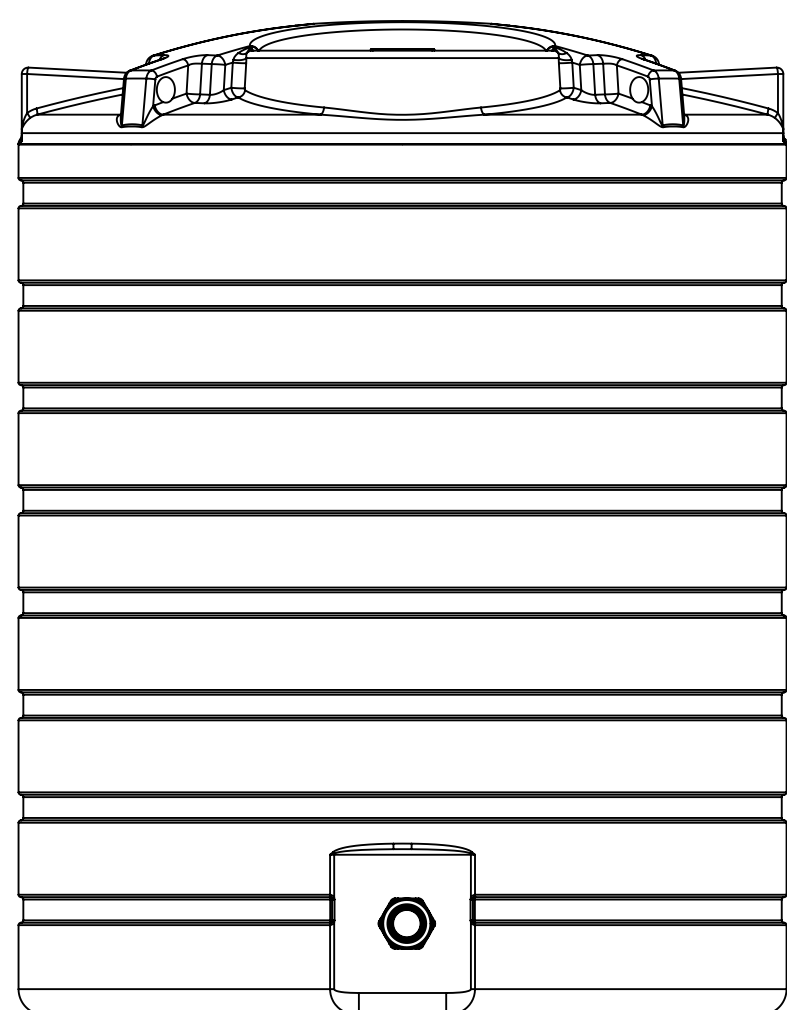
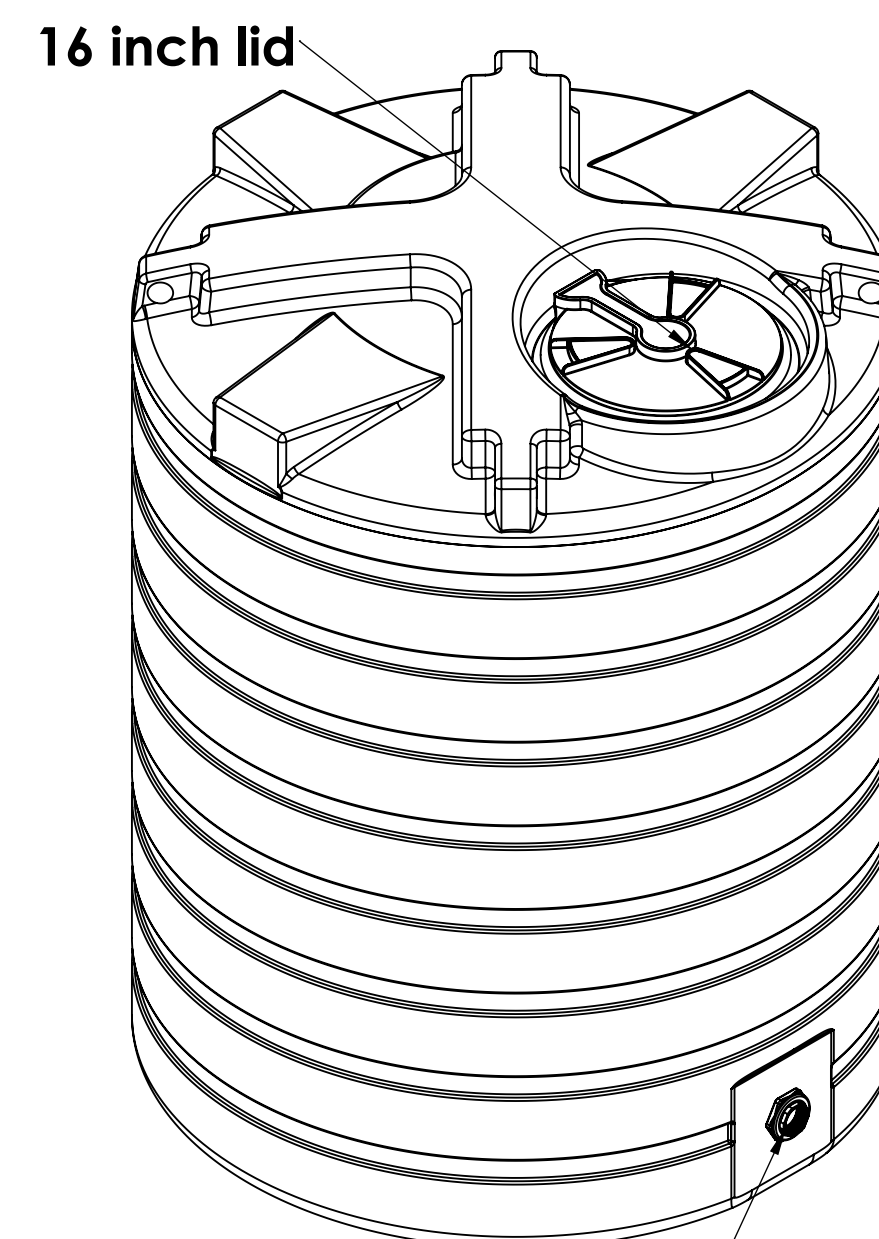
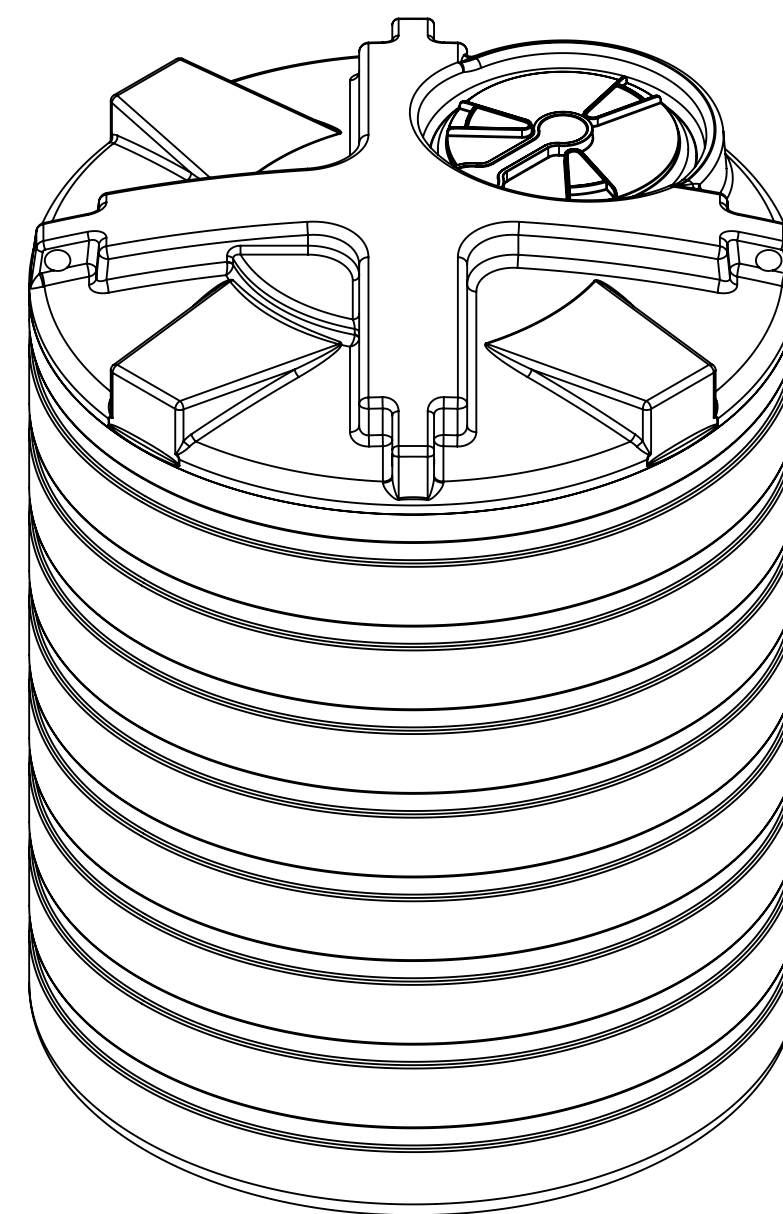
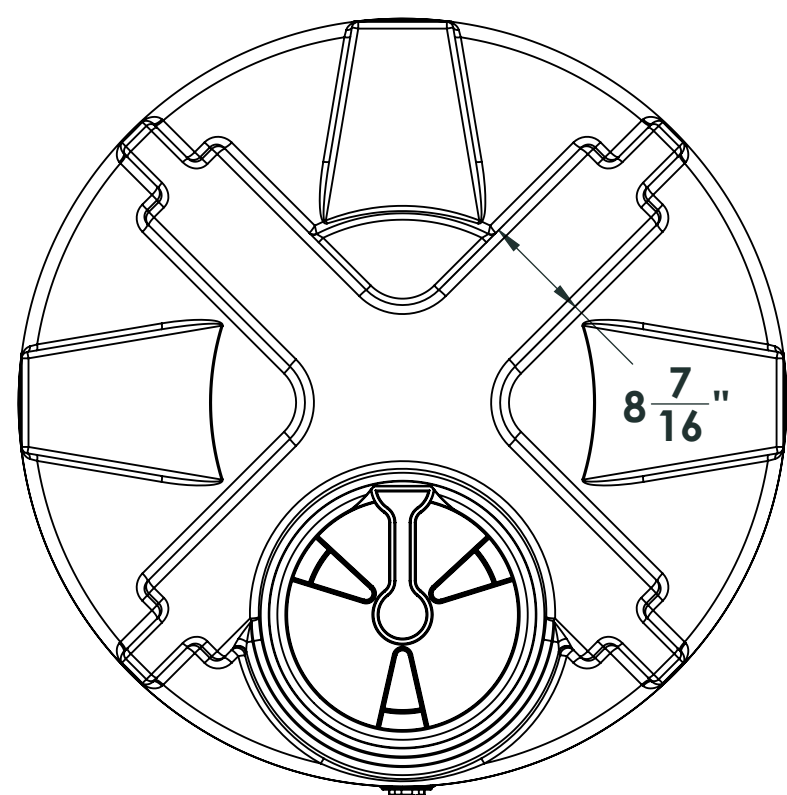


4

3

2

1



NOTE: Allow +/- 1.5% Shrinkage

For more information or to get your questions answered, contact us!
www.clarionmunicipal.com or call us at : (+1) 863-261-8388 | info@oneclarion.com

PROPRIETARY AND CONFIDENTIAL
 THE INFORMATION CONTAINED IN THIS DRAWING IS THE SOLE PROPERTY OF ENDURAPLAS LLC. ANY REPRODUCTION IN PART OR AS A WHOLE WITHOUT THE WRITTEN PERMISSION OF ENDURAPLAS LLC IS PROHIBITED.

| | | | | |
|--------------------------------------|---------|----------------------|------|---------------------|
| UNLESS OTHERWISE SPECIFIED: | | NAME | DATE | ENDURAPLAS LLC |
| DIMENSIONS ARE IN INCHES | | DRAWN | DNS | |
| TOLERANCES: | | CHECKED | | TITLE: |
| FRACTIONAL ± | | ENG APPR. | | THV00870 |
| ANGULAR: MACH ± BEND ± | | MFG APPR. | | SIZE DWG. NO. |
| TWO PLACE DECIMAL ± | | Q.A. | | C |
| THREE PLACE DECIMAL ± | | COMMENTS: | | REV |
| INTERPRET GEOMETRIC TOLERANCING PER: | | | | 1 |
| MATERIAL | | | | SCALE: 1:20 WEIGHT: |
| FINISH | | | | SHEET 1 OF 1 |
| NEXT ASSY | USED ON | | | |
| APPLICATION | | DO NOT SCALE DRAWING | | |

4

3

2

1

D

D

C

C

B

B

A

A