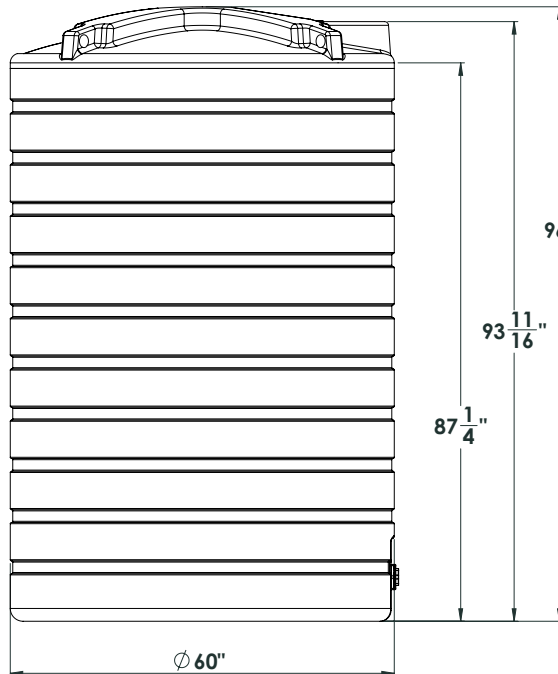
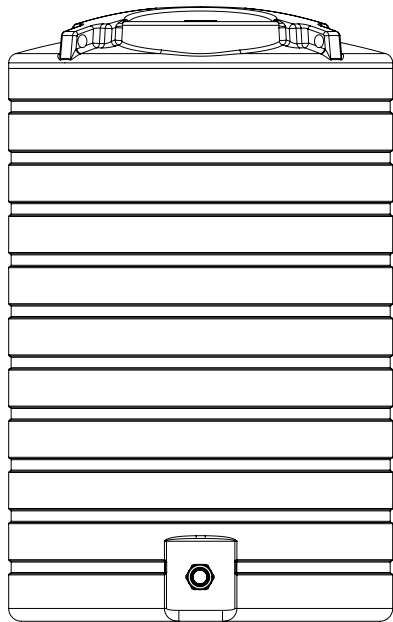
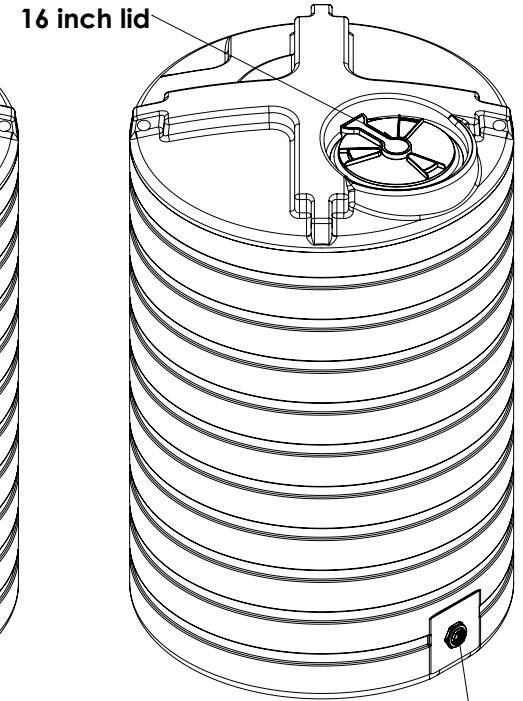
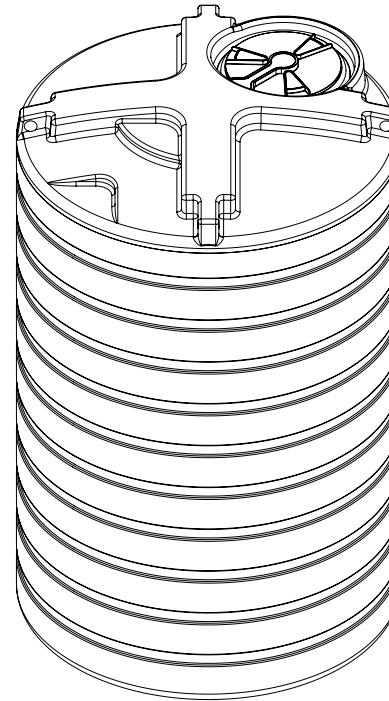
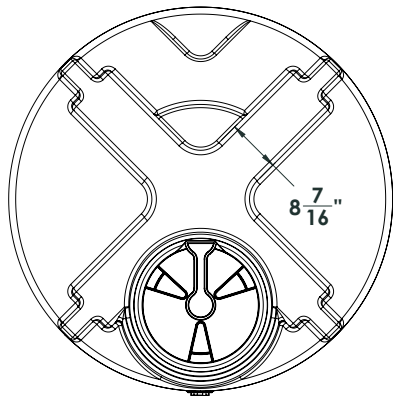


4

3

2

1



NOTE: Allow +/- 1.5% Shrinkage

UNLESS OTHERWISE SPECIFIED:		NAME	DATE	ENDURAPLAS LLC	
DIMENSIONS ARE IN INCHES		DRAWN	DNS	10/31/16	TITLE:
TOLERANCES:		CHECKED			THV01100
FRACTIONAL ±		ENG APPR.			SIZE DWG. NO.
ANGULAR MATCH ±		MFG APPR.			REV
BEND ±		Q.A.			1
TWO PLACE DECIMAL ±		COMMENTS:			SCALE: 1:20 WEIGHT:
THREE PLACE DECIMAL ±					SHEET 1 OF 1
INTERPRET GEOMETRIC TOLERANCING PER:					
MATERIAL:					
	FINISH				
NEXT ASSY	USED ON				
APPLICATION	DO NOT SCALE DRAWING				

PROPRIETARY AND CONFIDENTIAL
 THE INFORMATION CONTAINED IN THIS DRAWING IS THE SOLE PROPERTY OF ENDURAPLAS LLC. ANY REPRODUCTION IN PART OR AS A WHOLE WITHOUT THE WRITTEN PERMISSION OF ENDURAPLAS LLC IS PROHIBITED.

For more information or to get your questions answered, contact us!
www.clarionmunicipal.com or call us at : (+1) 863-261-8388 | info@oneclarion.com

4

3

2

1