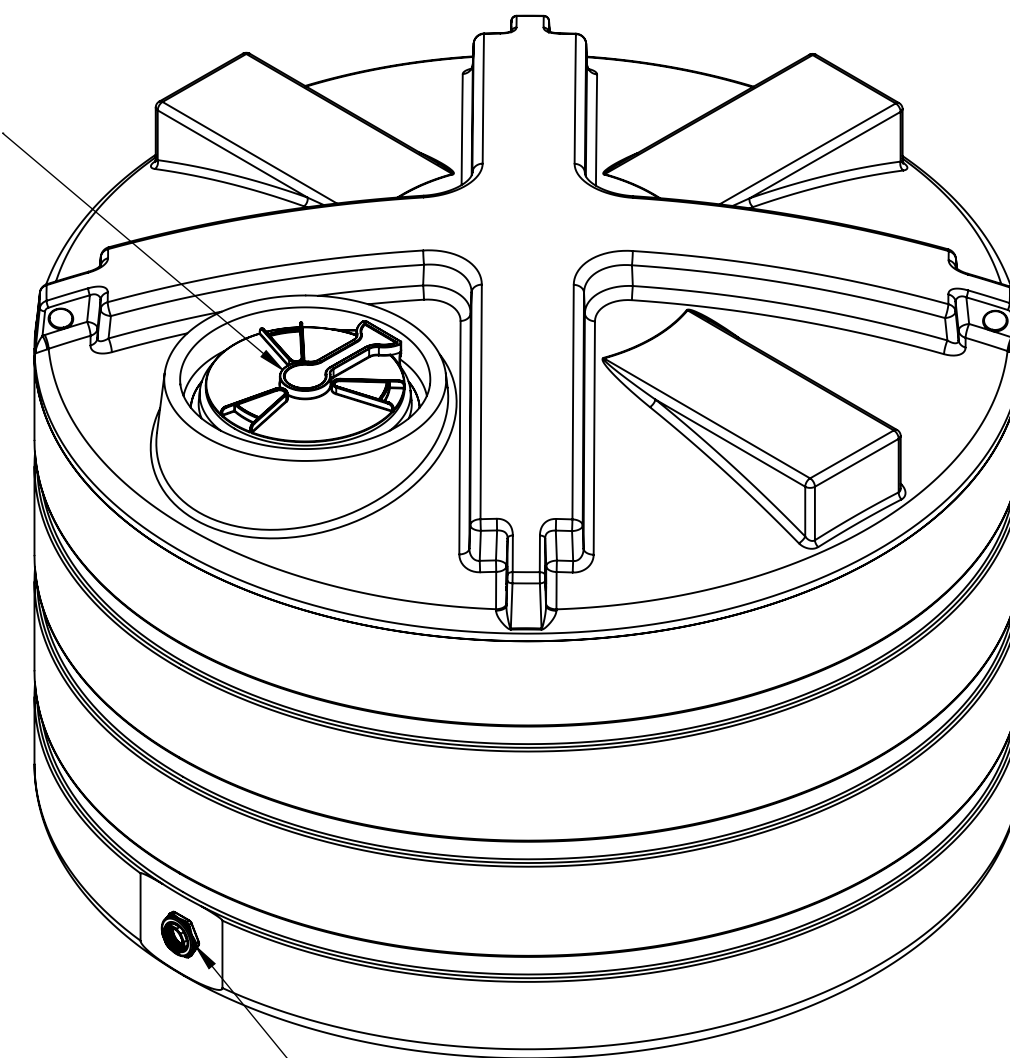
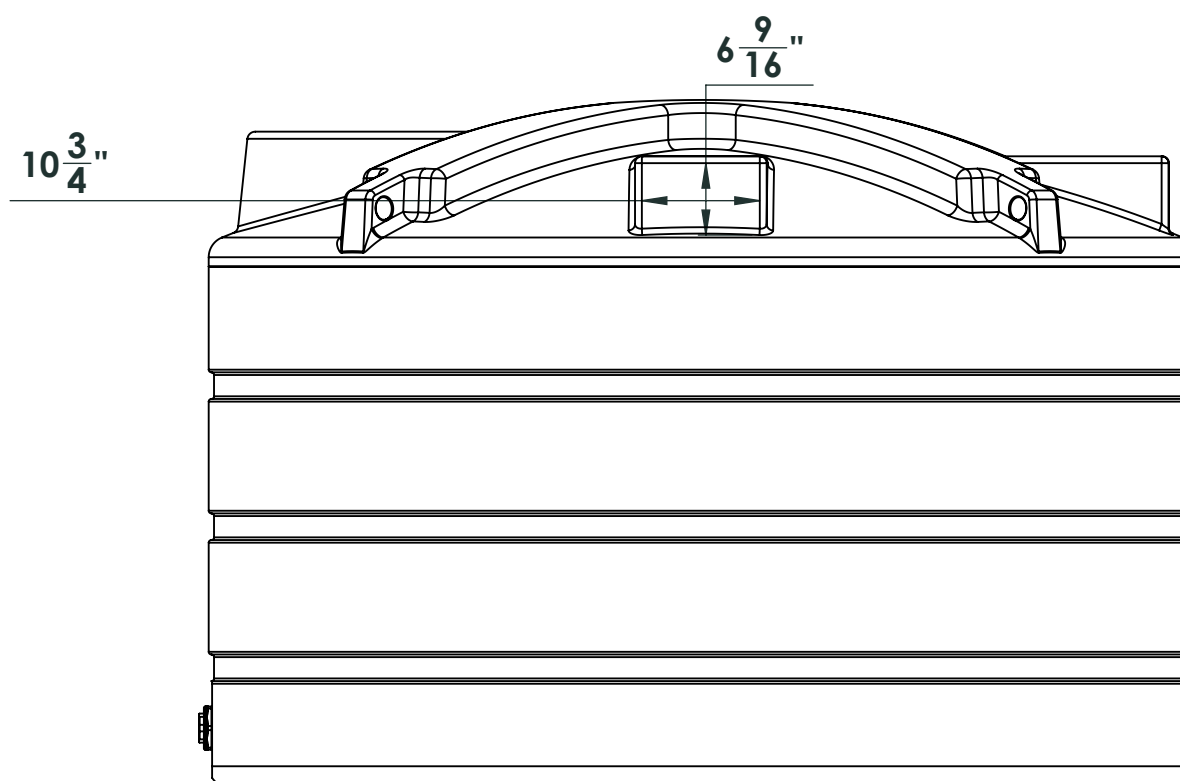
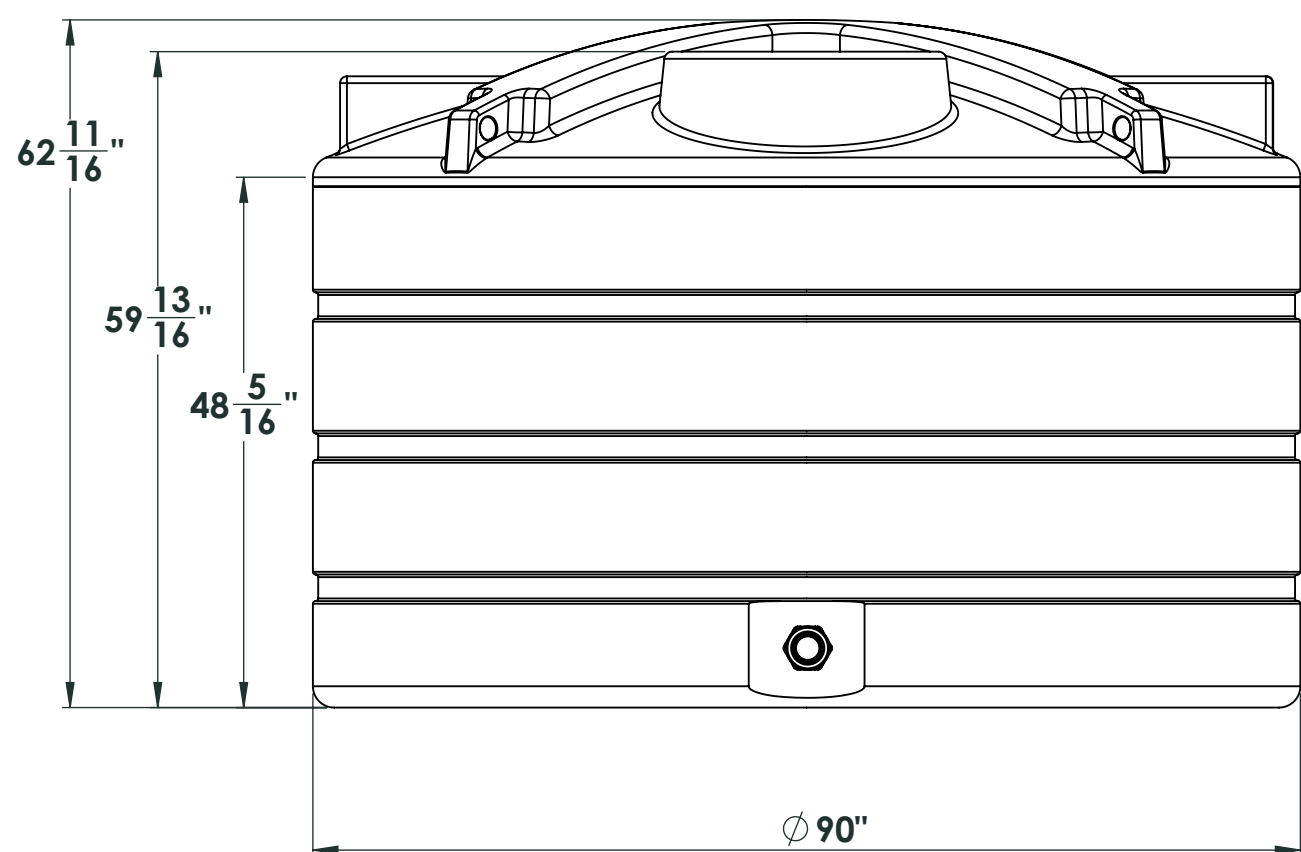


16 inch lid



2 inch threaded fitting



NOTE: Allow +/- 1.5% Shrinkage

For more information or to get your questions answered, contact us!
www.clarionmunicipal.com or call us at : (+1) 863-261-8388 | info@oneclarion.com

PROPRIETARY AND CONFIDENTIAL
 THE INFORMATION CONTAINED IN THIS DRAWING IS THE SOLE PROPERTY OF **ENDURAPLAS LLC**. ANY REPRODUCTION IN PART OR AS A WHOLE WITHOUT THE WRITTEN PERMISSION OF **ENDURAPLAS LLC** IS PROHIBITED.

UNLESS OTHERWISE SPECIFIED:		NAME	DATE	ENDURAPLAS LLC TITLE: THV01200 SIZE DWG. NO. C REV 1 SCALE: 1:50 WEIGHT: SHEET 1 OF 1
DIMENSIONS ARE IN INCHES		DRAWN	DNS	
TOLERANCES:		CHECKED		
FRACTIONAL ± ANGULAR: MATCH ± BEND ± TWO PLACE DECIMAL ± THREE PLACE DECIMAL ±		ENG APPR.		
INTERPRET GEOMETRIC TOLERANCING PER:		MFG APPR.		
MATERIAL		Q.A.		
FINISH		COMMENTS:		
NEXT ASSY	USED ON			
APPLICATION	DO NOT SCALE DRAWING			