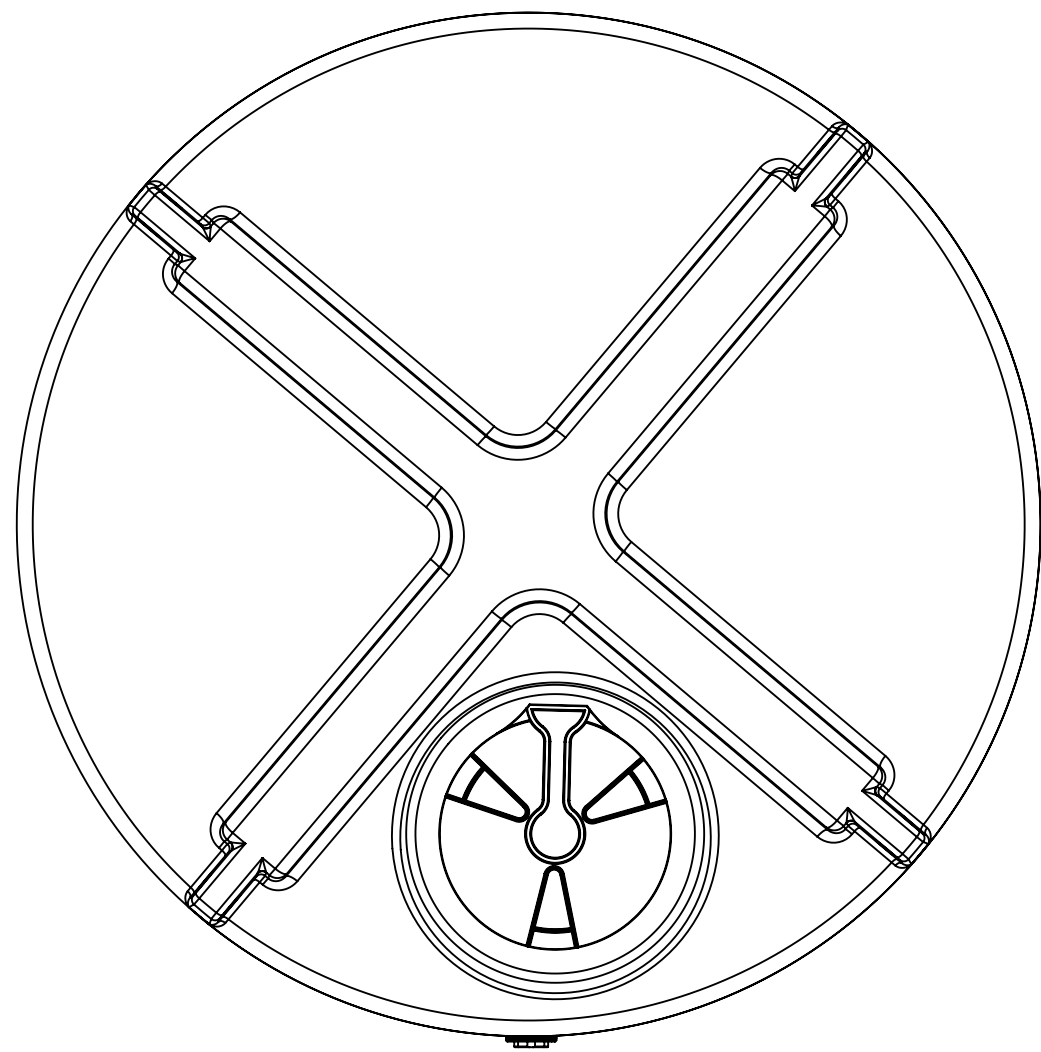


4

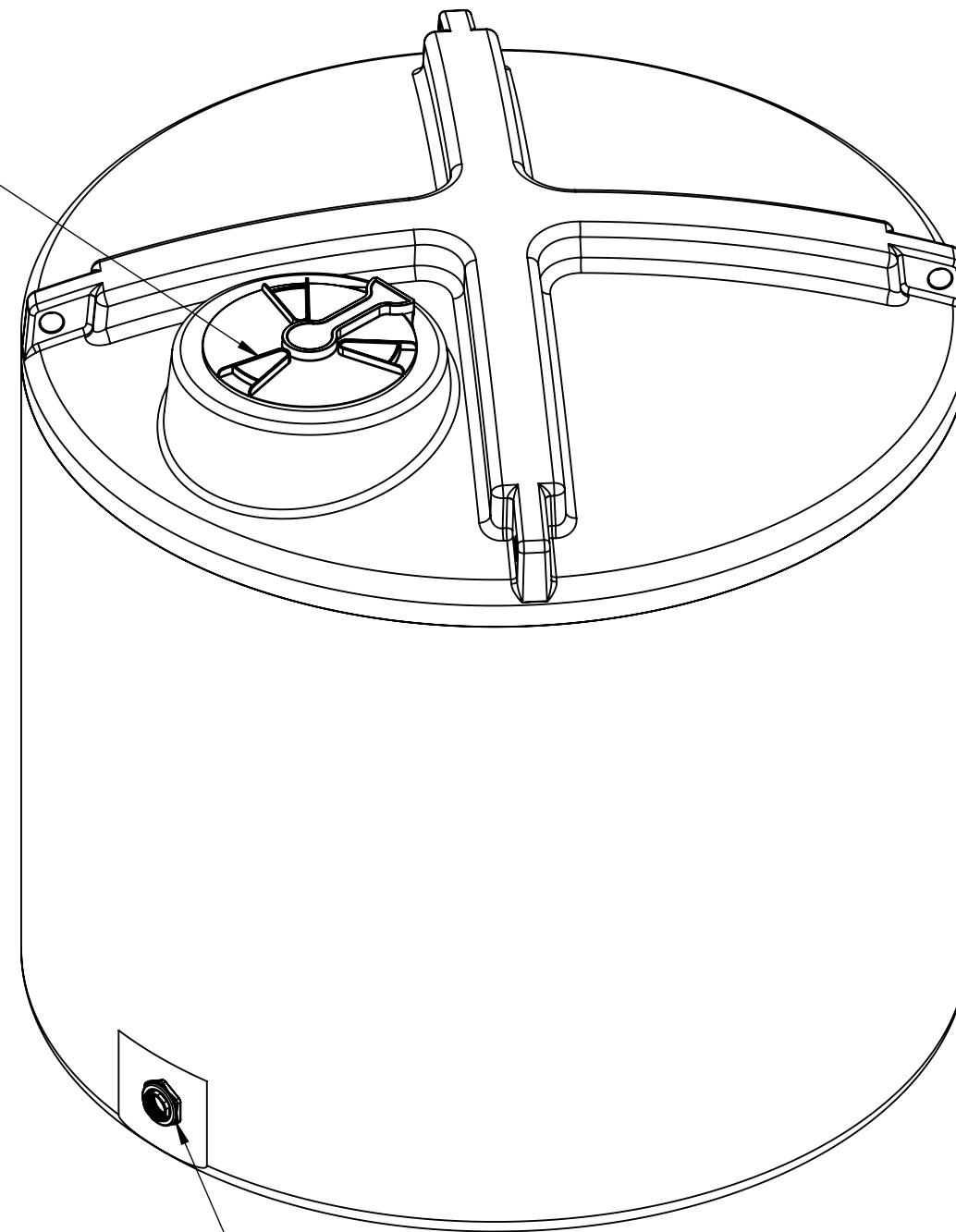
3

2

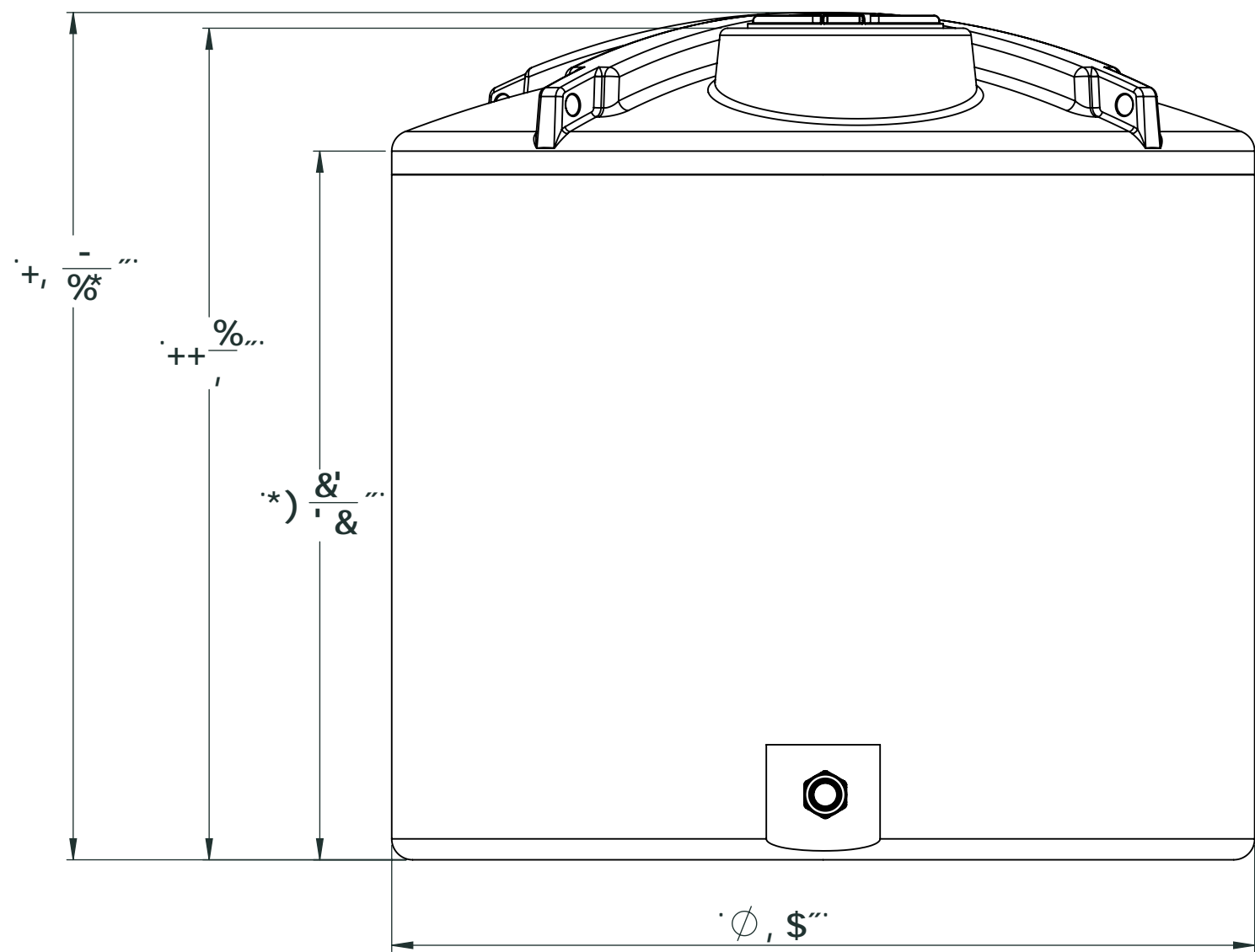
1



10.00 ± 0.05



10.00 ± 0.05



BCHE.5`ck Ž#`%)i`G\fb\_U[ Y

DFCD-45FM588 7 CB: 898H5@  
 THE INFORMATION CONTAINED IN THIS DRAWING IS THE SOLE PROPERTY OF 98BI F5D5G@. ANY REPRODUCTION IN PART OR AS A WHOLE WITHOUT THE WRITTEN PERMISSION OF 98BI F5D5G@ IS PROHIBITED.

UNLESS OTHERWISE SPECIFIED:		NAME	DATE	98BI F5D5G@	
DIMENSIONS ARE IN INCHES		DRAWN	DNS	10/31/16	TITLE:
TOLERANCES:		CHECKED			HkJ %(\$(\$
FRACTIONAL ±		ENG APPR.			
ANGULAR: MACH ± BEND ±		MFG APPR.			
TWO PLACE DECIMAL ±		Q.A.			
THREE PLACE DECIMAL ±		COMMENTS:			
INTERPRET GEOMETRIC TOLERANCING PER:					
MATERIAL:					
FINISH:					
NEXT ASSY	USED ON				SIZE DWG. NO. REV %
APPLICATION					7
DO NOT SCALE DRAWING					SCALE: 1:50 WEIGHT: SHEET 1 OF 1

For more information or to get your questions answered, contact us!  
[www.clarionmunicipal.com](http://www.clarionmunicipal.com) or call us at : (+1) 863-261-8388 | [info@oneclarion.com](mailto:info@oneclarion.com)

4

3

2

1