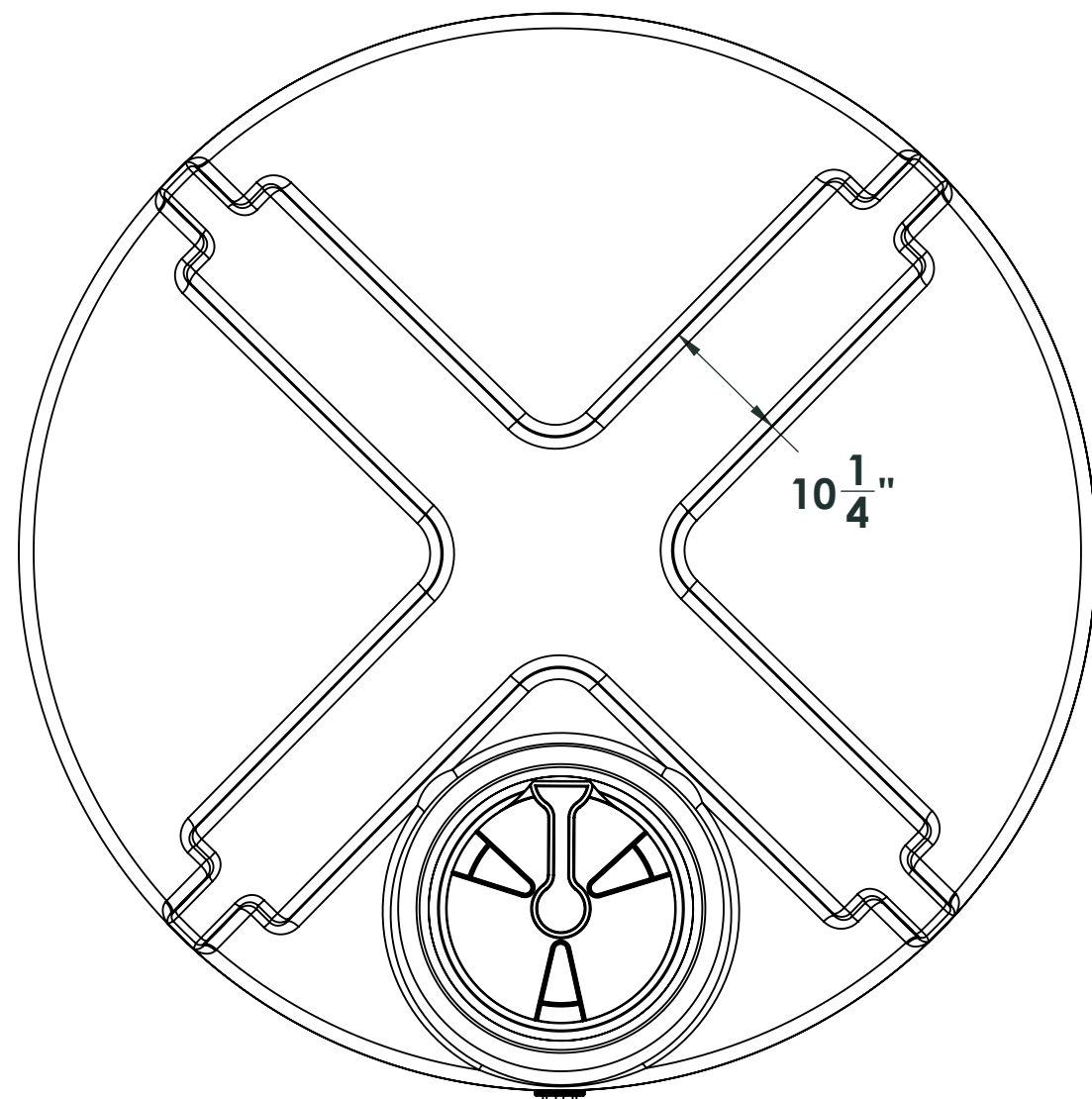


4

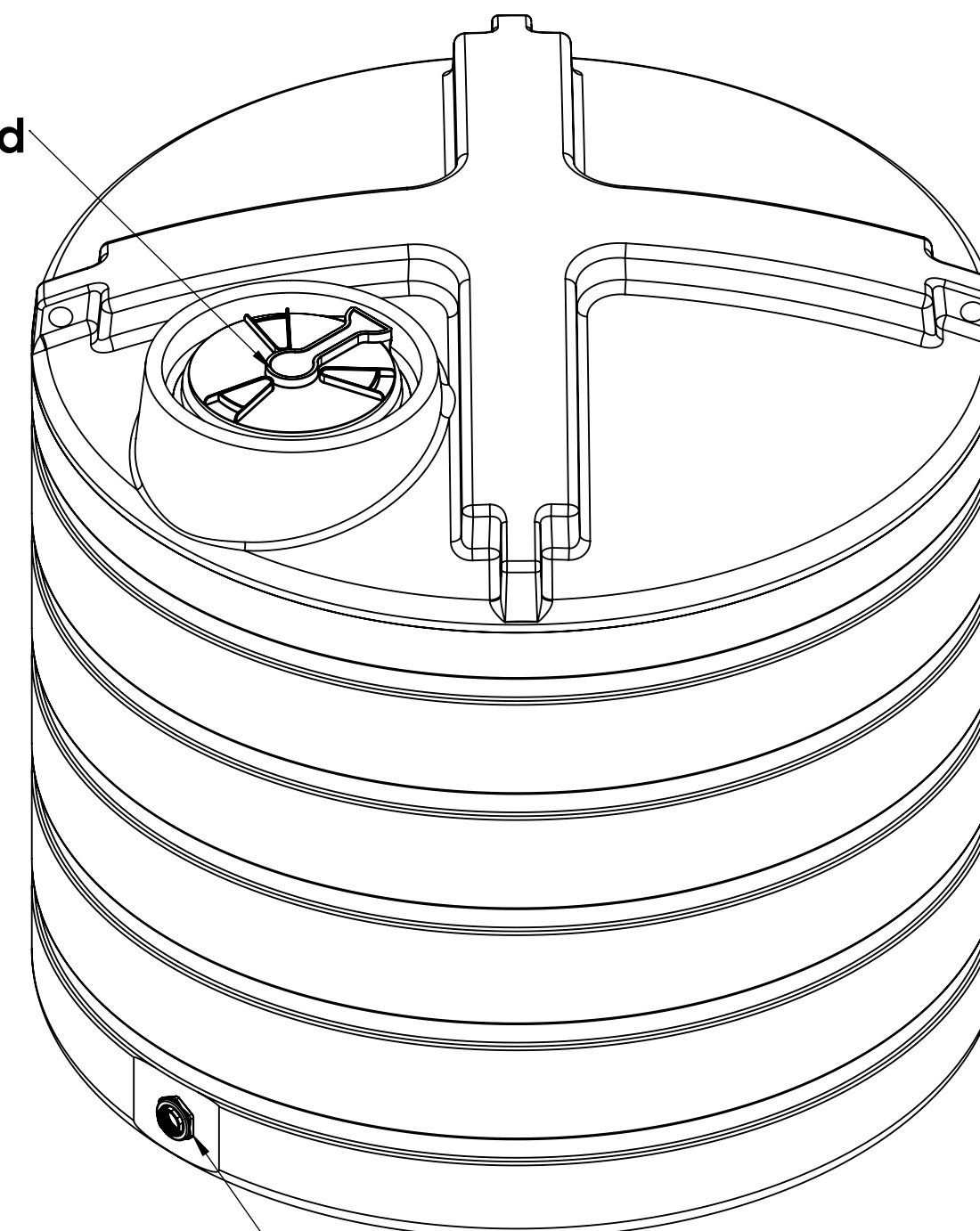
3

2

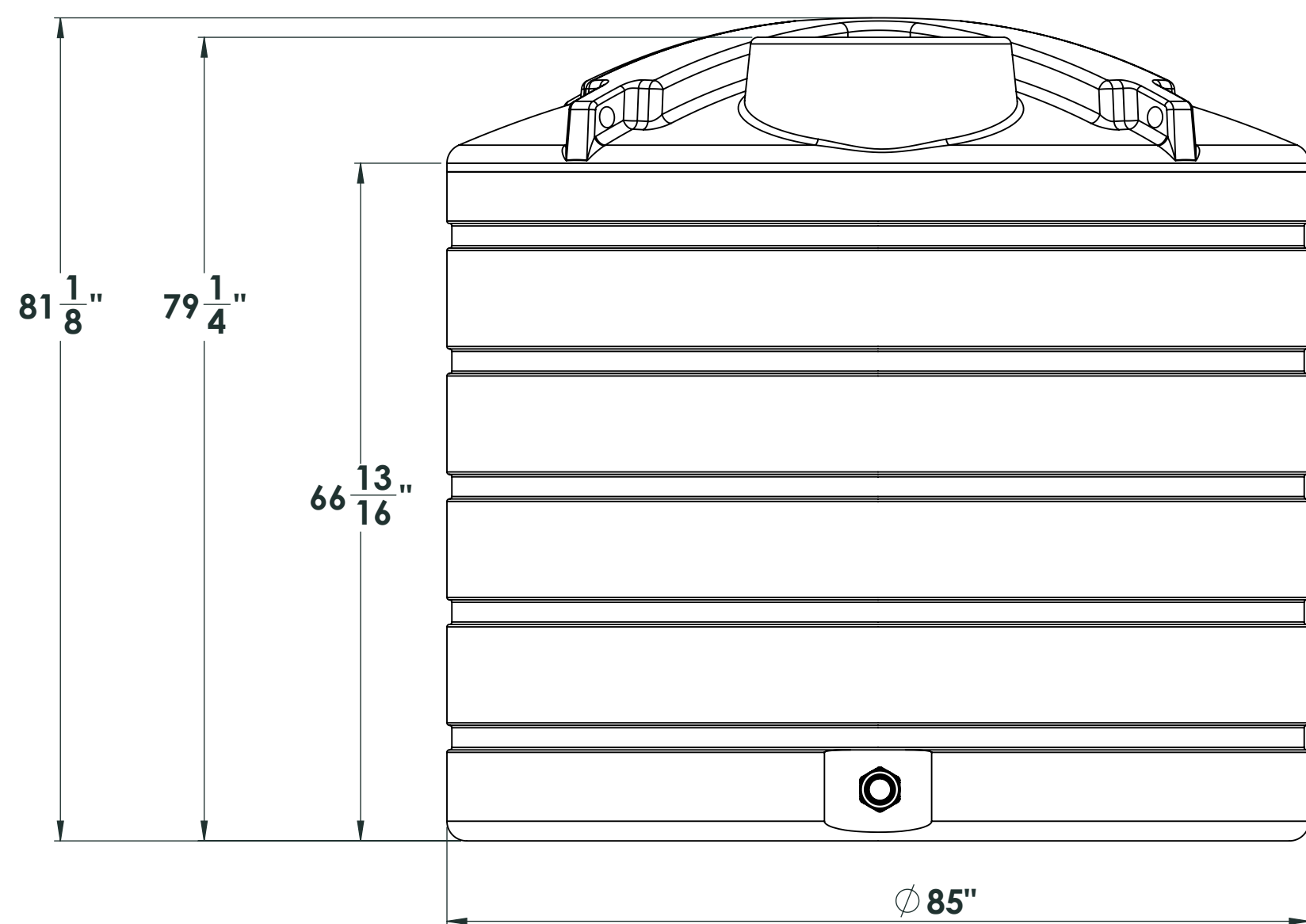
1



16 inch lid



2 inch threaded fitting



NOTE: Allow +/- 1.5% Shrinkage

PROPRIETARY AND CONFIDENTIAL
 THE INFORMATION CONTAINED IN THIS DRAWING IS THE SOLE PROPERTY OF ENDURAPLAS LLC. ANY REPRODUCTION IN PART OR AS A WHOLE WITHOUT THE WRITTEN PERMISSION OF ENDURAPLAS LLC IS PROHIBITED.

UNLESS OTHERWISE SPECIFIED:		NAME	DATE	ENDURAPLAS LLC	
DIMENSIONS ARE IN INCHES		DRAWN	DNS		10/31/16
TOLERANCES:		CHECKED			TITLE:
FRACTIONAL ±		ENG APPR.			THV01550
ANGULAR: MACH ±		MFG APPR.		SIZE	
BEND ±		Q.A.		DWG. NO.	
TWO PLACE DECIMAL ±		COMMENTS:		REV	
THREE PLACE DECIMAL ±				1	
INTERPRET GEOMETRIC TOLERANCING PER:				SCALE: 1:50	
MATERIAL				WEIGHT:	
FINISH				SHEET 1 OF 1	
NEXT ASSY	USED ON				
APPLICATION					
DO NOT SCALE DRAWING					

For more information or to get your questions answered, contact us!
www.clarionmunicipal.com or call us at : (+1) 863-261-8388 | info@oneclarion.com

4

3

2

1