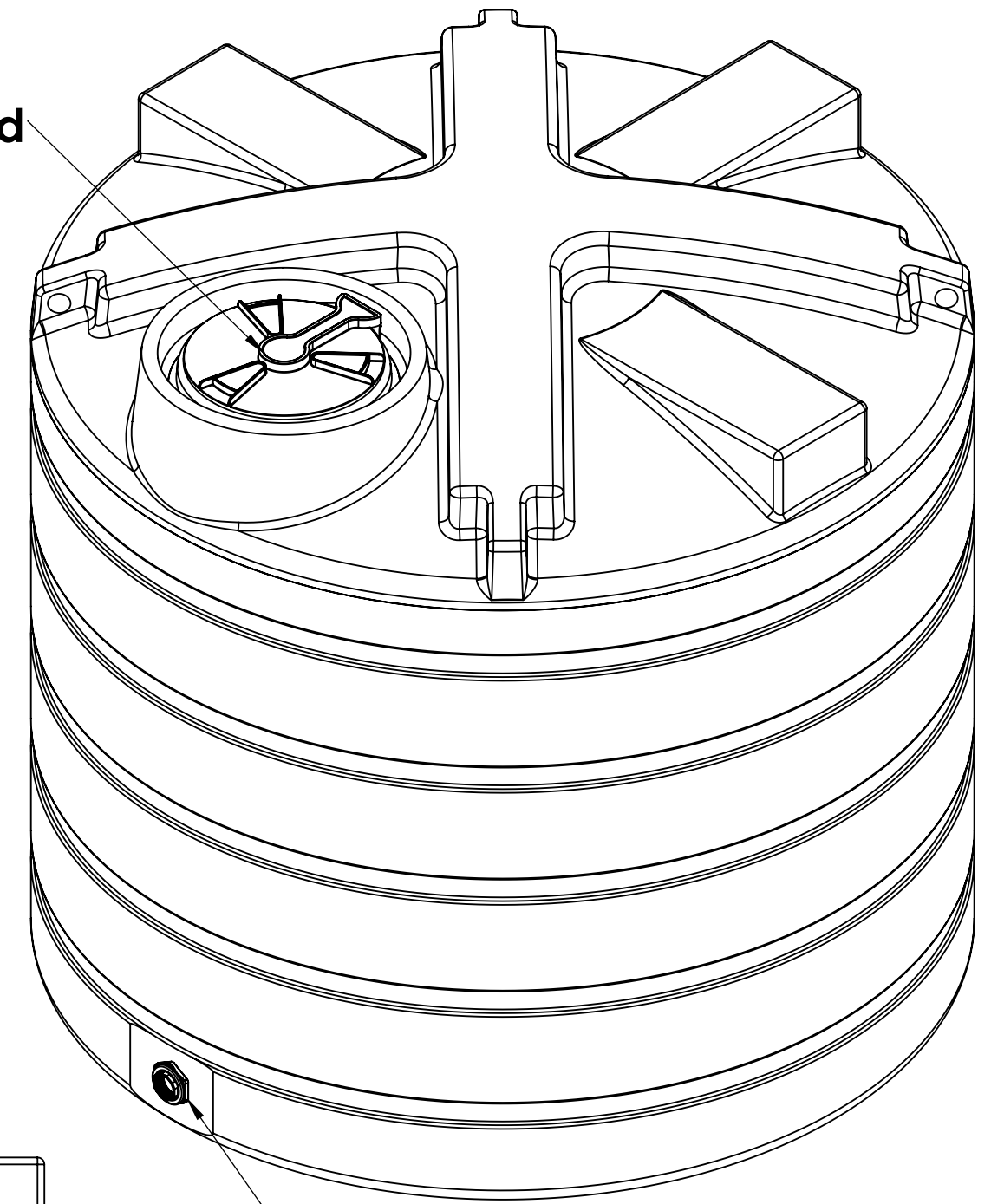
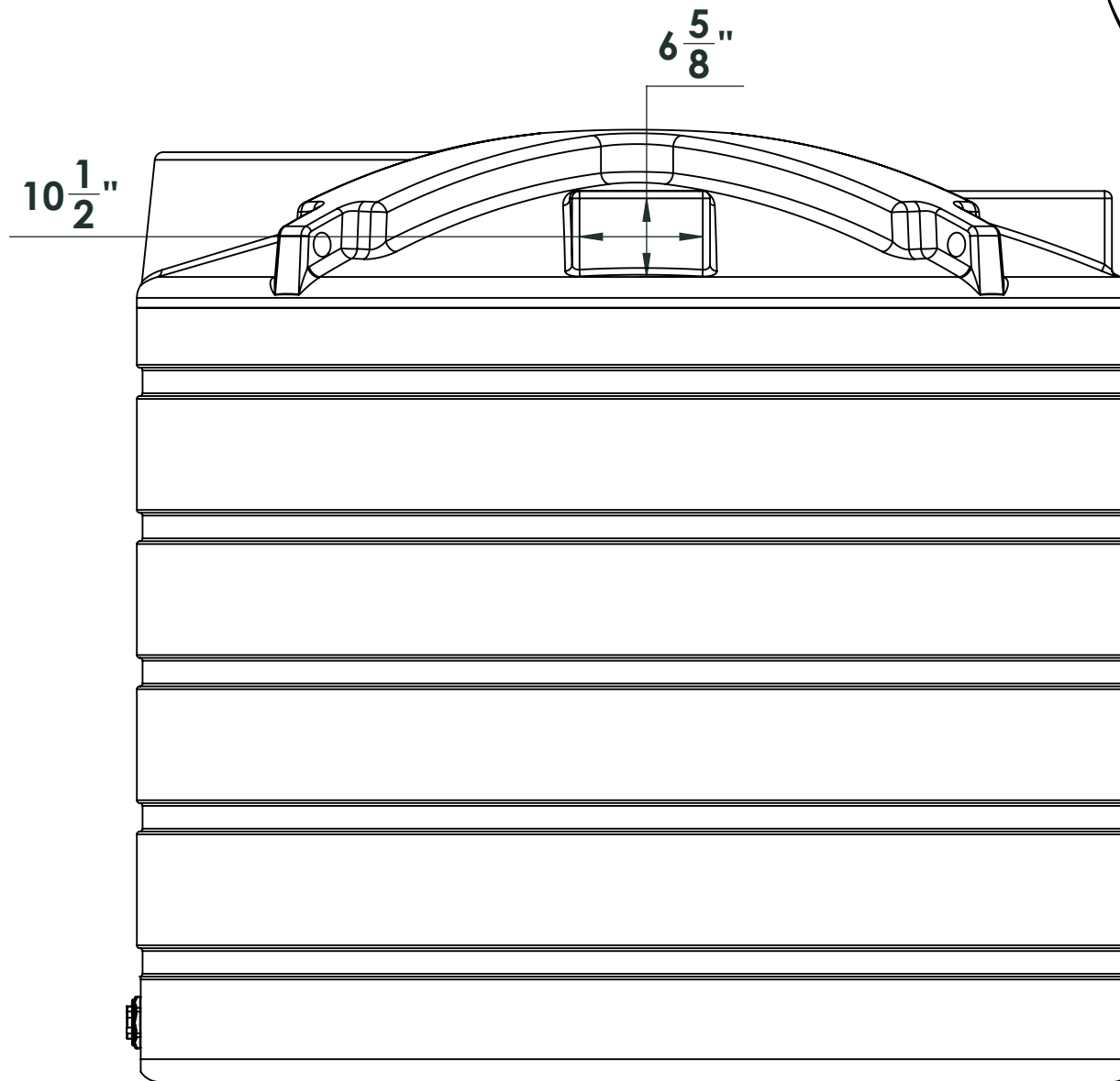
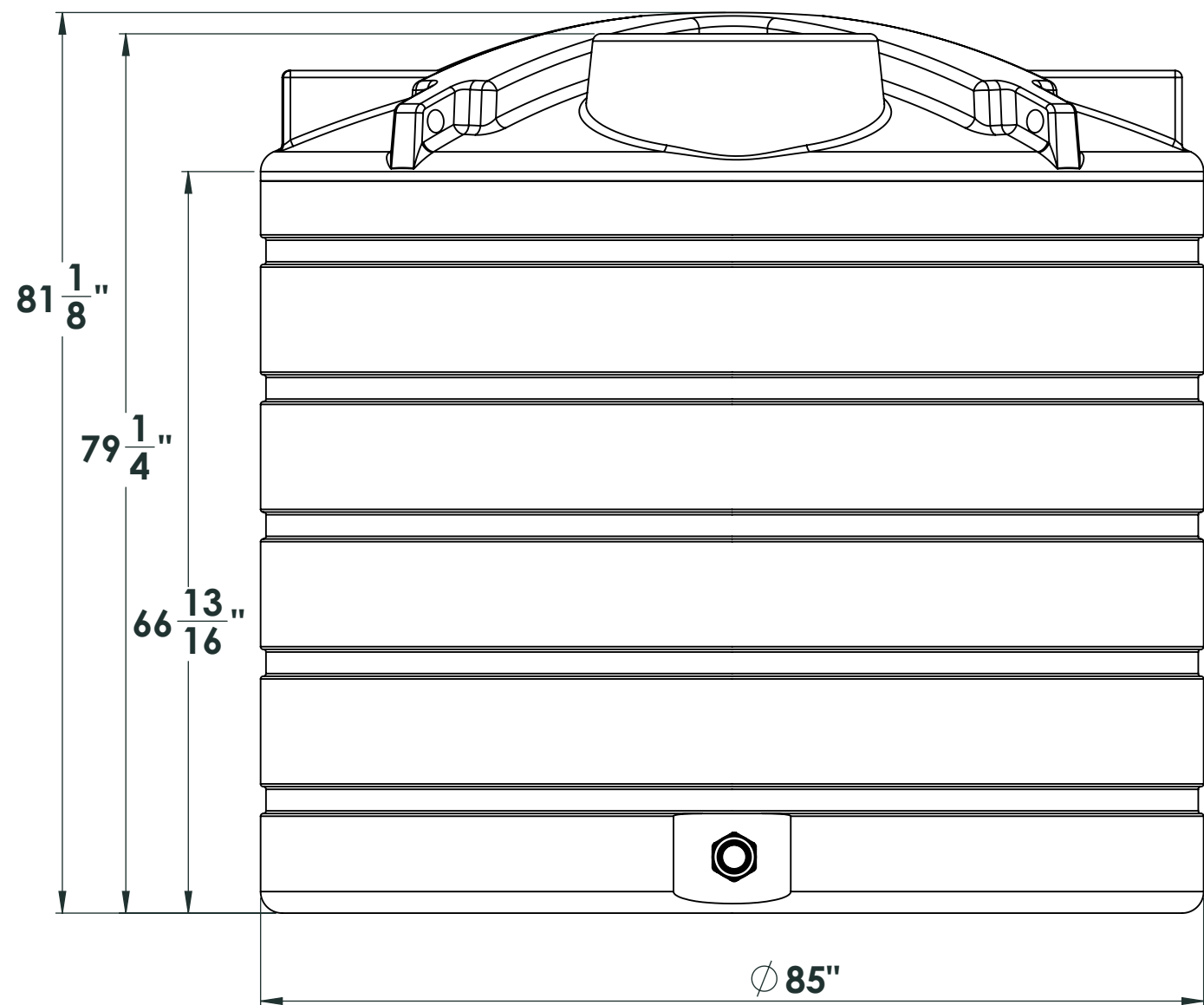


16 inch lid



2 inch threaded fitting



NOTE: Allow +/- 1.5% Shrinkage

For more information or to get your questions answered, contact us!
www.clarionmunicipal.com or call us at : (+1) 863-261-8388 | info@oneclarion.com

PROPRIETARY AND CONFIDENTIAL
 THE INFORMATION CONTAINED IN THIS DRAWING IS THE SOLE PROPERTY OF ENDURAPLAS LLC. ANY REPRODUCTION IN PART OR AS A WHOLE WITHOUT THE WRITTEN PERMISSION OF ENDURAPLAS LLC IS PROHIBITED.

UNLESS OTHERWISE SPECIFIED:		DRAWN	NAME	DATE	ENDURAPLAS LLC
DIMENSIONS ARE IN INCHES		CHECKED	DNS	10/31/16	
TOLERANCES:		ENG APPR.			
FRACTIONAL ±		MFG APPR.			
ANGULAR: MACH ±		Q.A.			TITLE:
BEND ±		COMMENTS:			THV01550
TWO PLACE DECIMAL ±					SIZE
THREE PLACE DECIMAL ±					DWG. NO.
INTERPRET GEOMETRIC TOLERANCING PER:					REV
MATERIAL					1
FINISH					SCALE: 1:50
NEXT ASSY	USED ON				WEIGHT:
APPLICATION					SHEET 1 OF 1
DO NOT SCALE DRAWING					