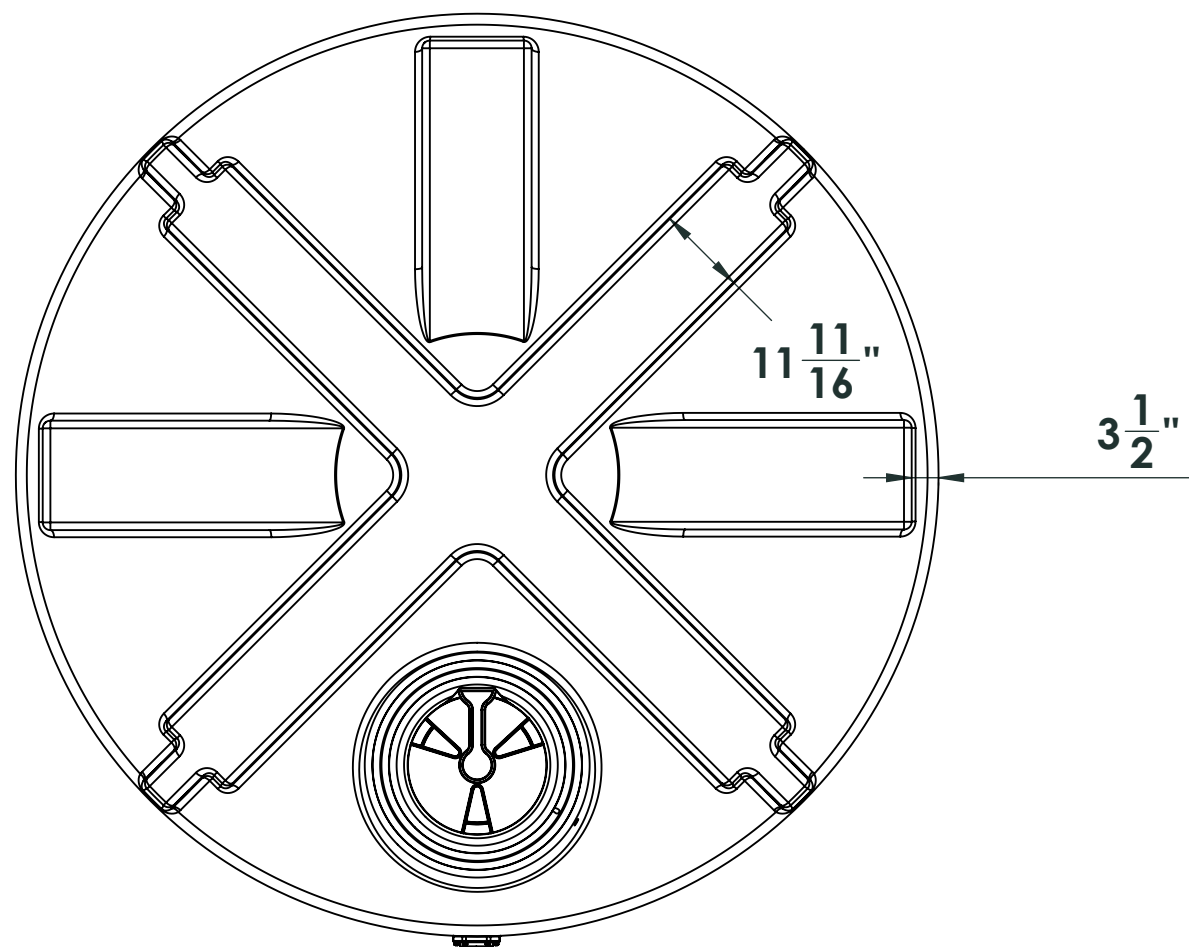


4

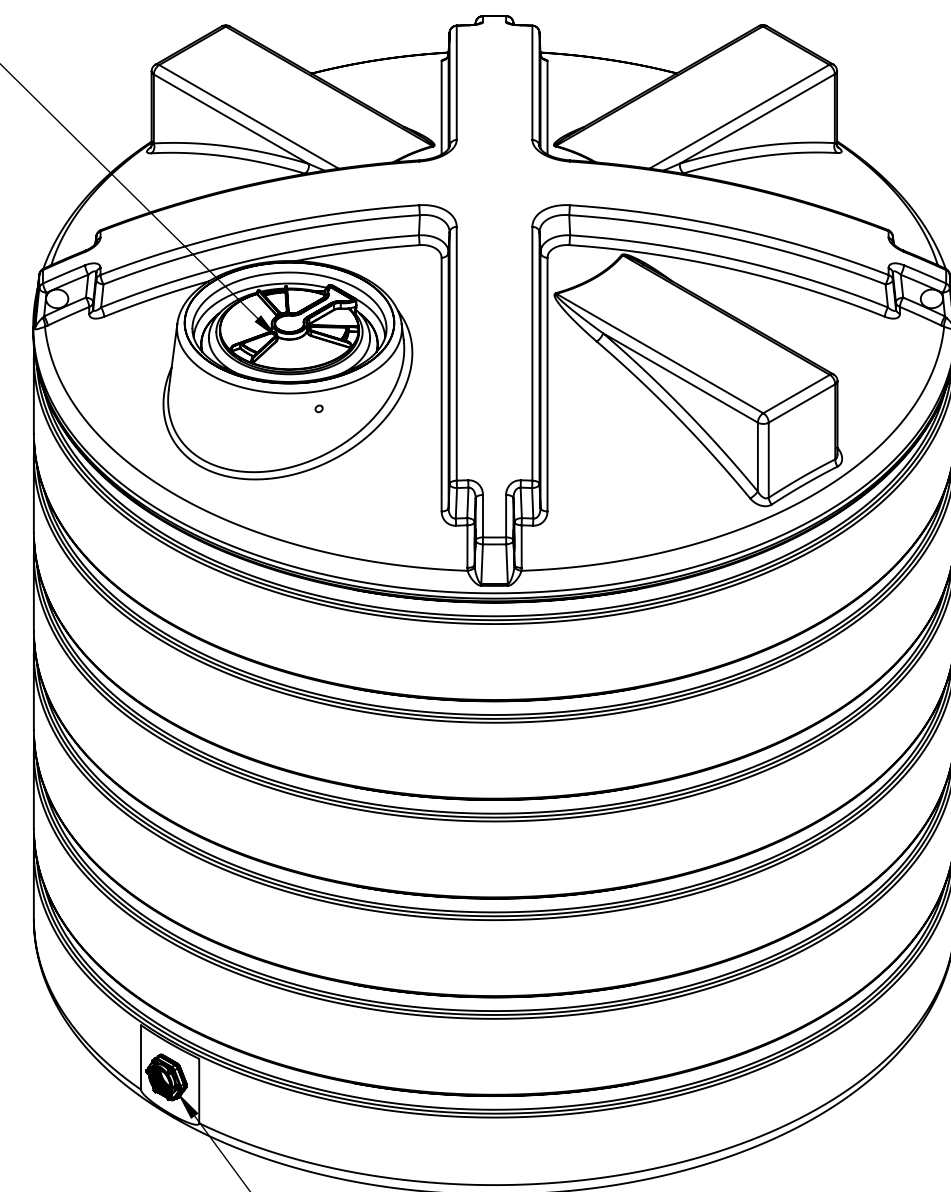
3

2

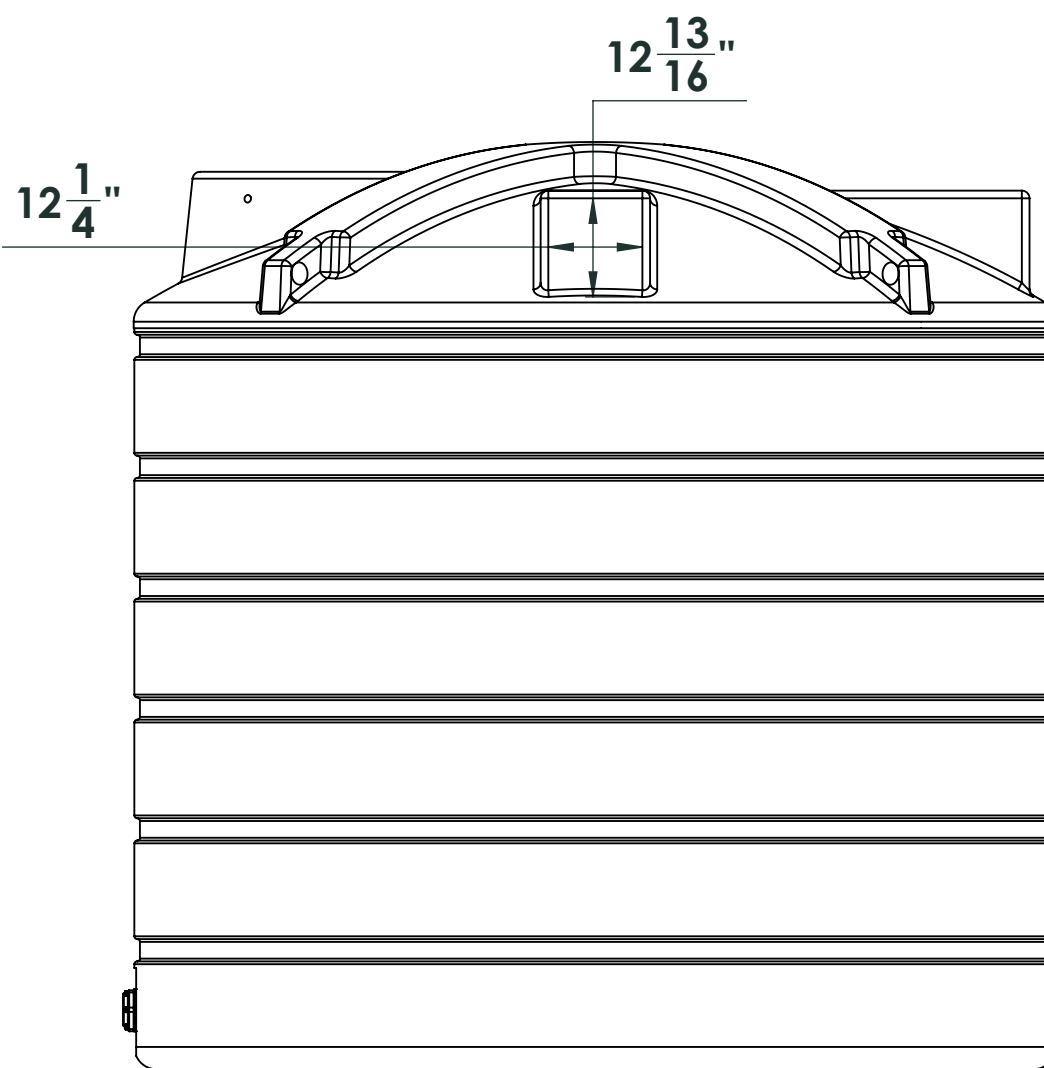
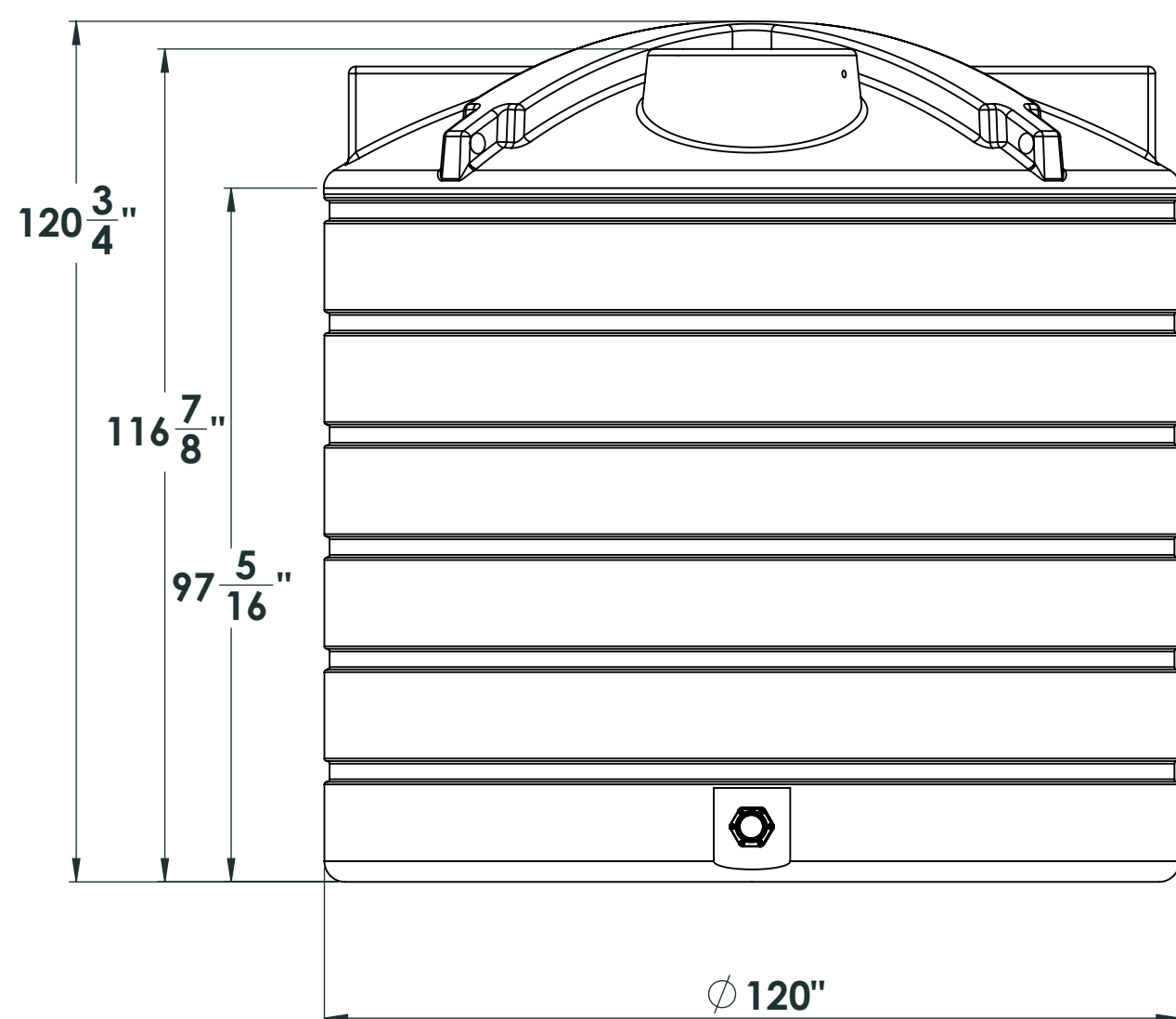
1



16 inch lid



3 inch bolted fitting



NOTE: Allow +/- 1.5% Shrinkage

For more information or to get your questions answered, contact us!
www.clarionmunicipal.com or call us at : (+1) 863-261-8388 | info@oneclarion.com

PROPRIETARY AND CONFIDENTIAL
 THE INFORMATION CONTAINED IN THIS DRAWING IS THE SOLE PROPERTY OF ENDURAPLAS LLC. ANY REPRODUCTION IN PART OR AS A WHOLE WITHOUT THE WRITTEN PERMISSION OF ENDURAPLAS LLC IS PROHIBITED.

UNLESS OTHERWISE SPECIFIED:		DRAWN	NAME	DATE	ENDURAPLAS LLC
DIMENSIONS ARE IN INCHES		CHECKED	DNS	11/3/16	
TOLERANCES:		ENG APPR.			
FRACTIONAL ±		MFG APPR.			
ANGULAR: MACH ±		Q.A.			TITLE:
BEND ±		COMMENTS:			THV05050
TWO PLACE DECIMAL ±					SIZE DWG. NO.
THREE PLACE DECIMAL ±					C
INTERPRET GEOMETRIC TOLERANCING PER:					REV
MATERIAL					1
FINISH					SCALE: 1:50 WEIGHT:
NEXT ASSY	USED ON				SHEET 1 OF 1
APPLICATION					DO NOT SCALE DRAWING

4

3

2

1