

4

3

2

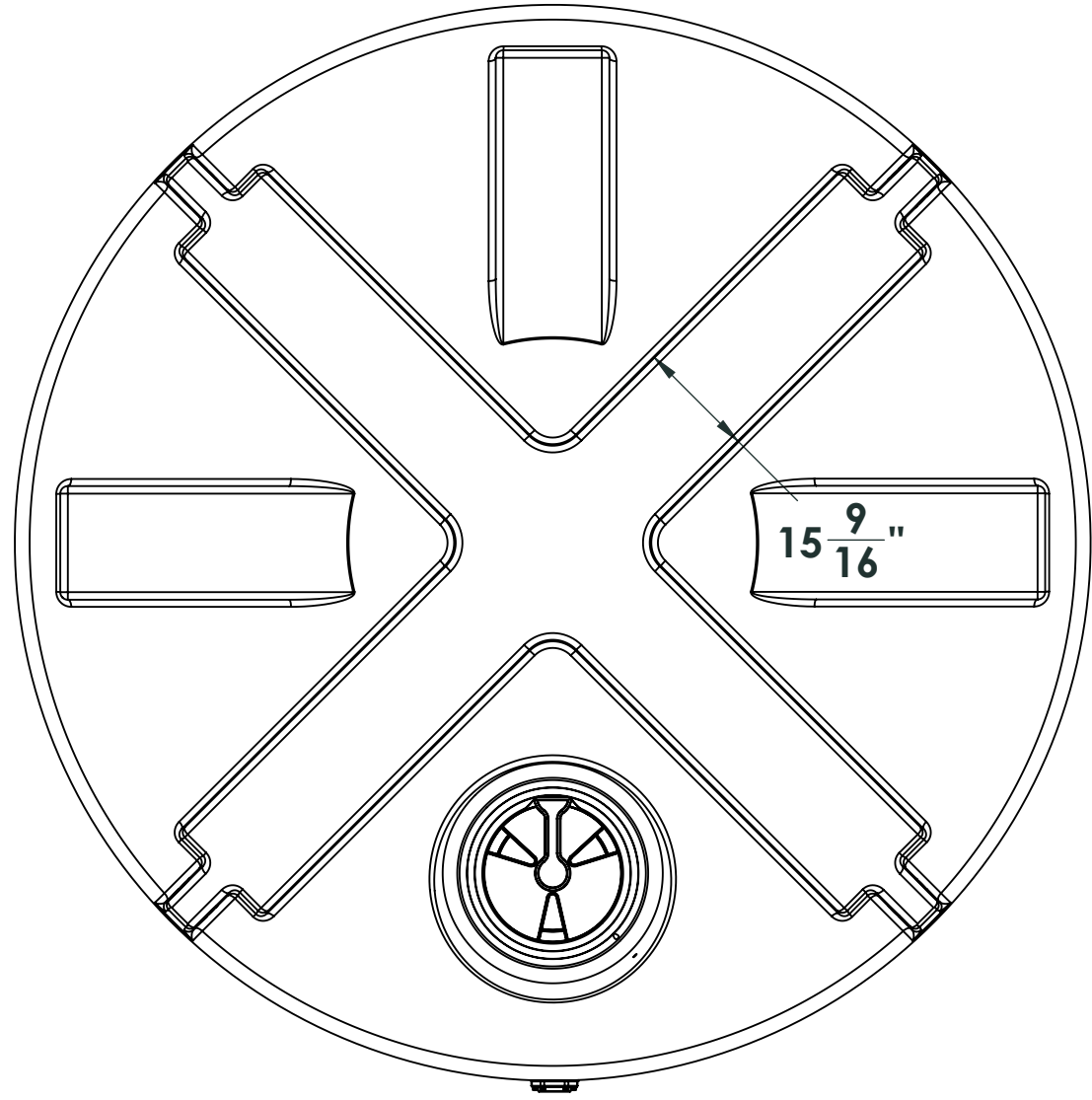
1

D

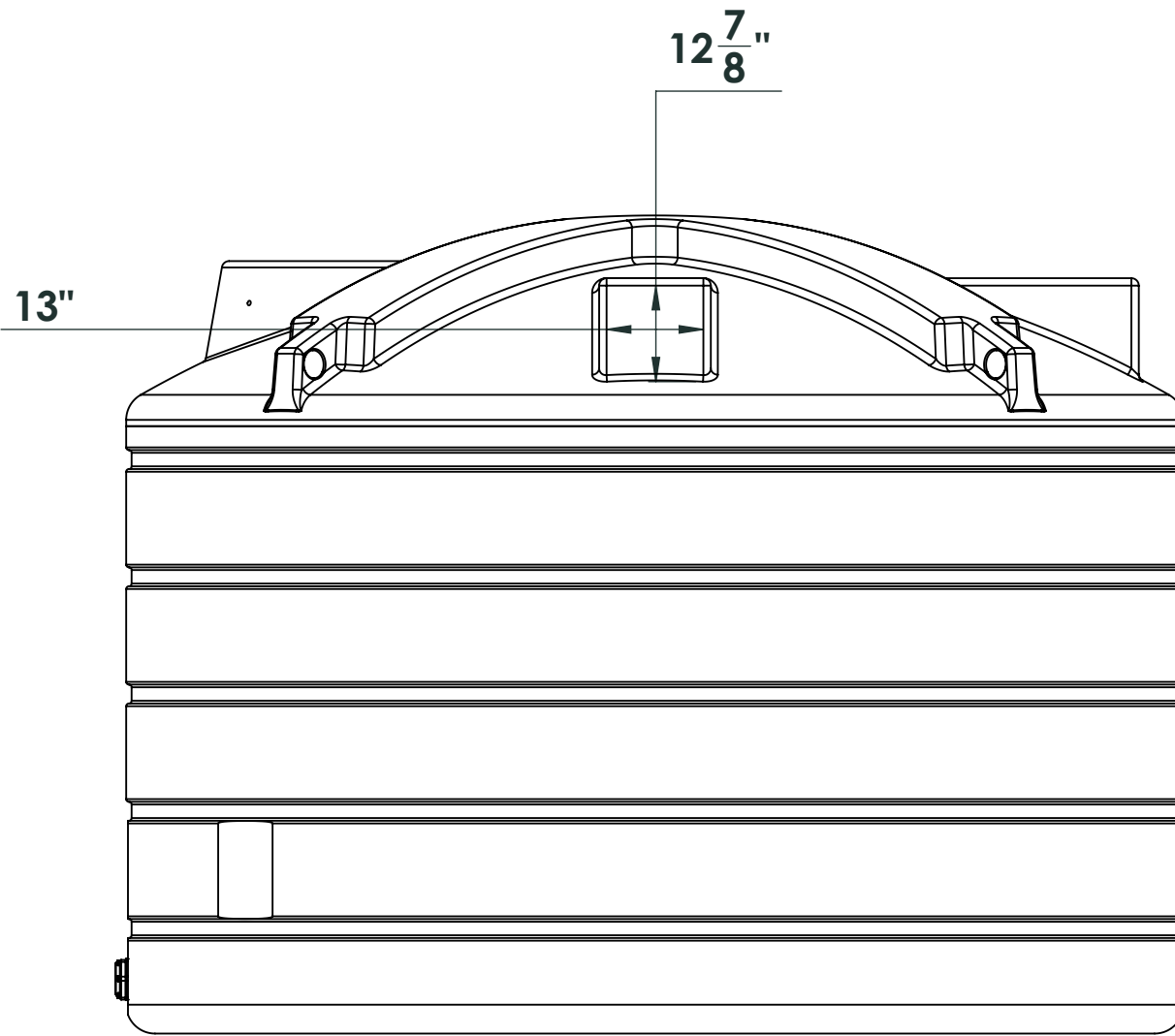
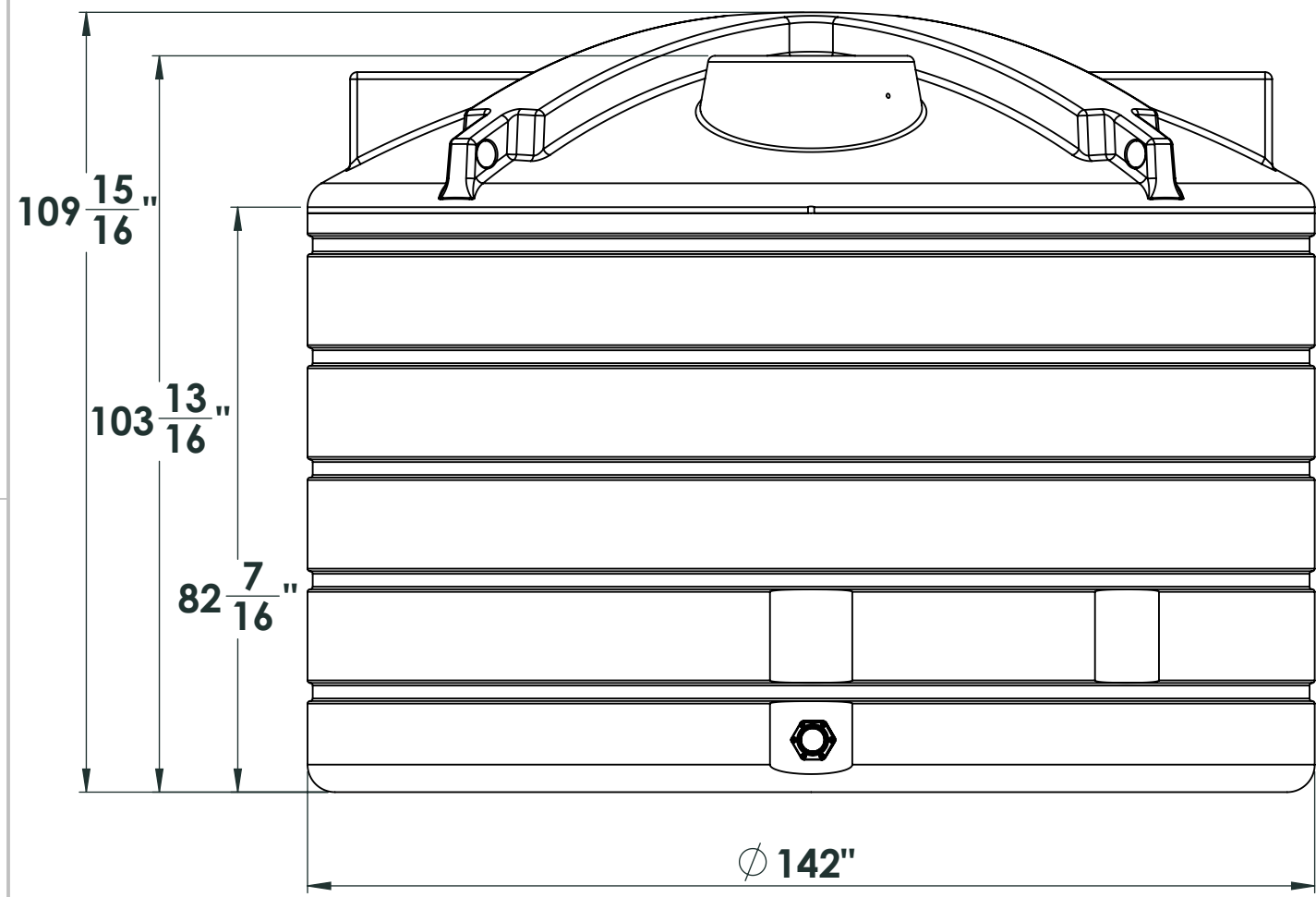
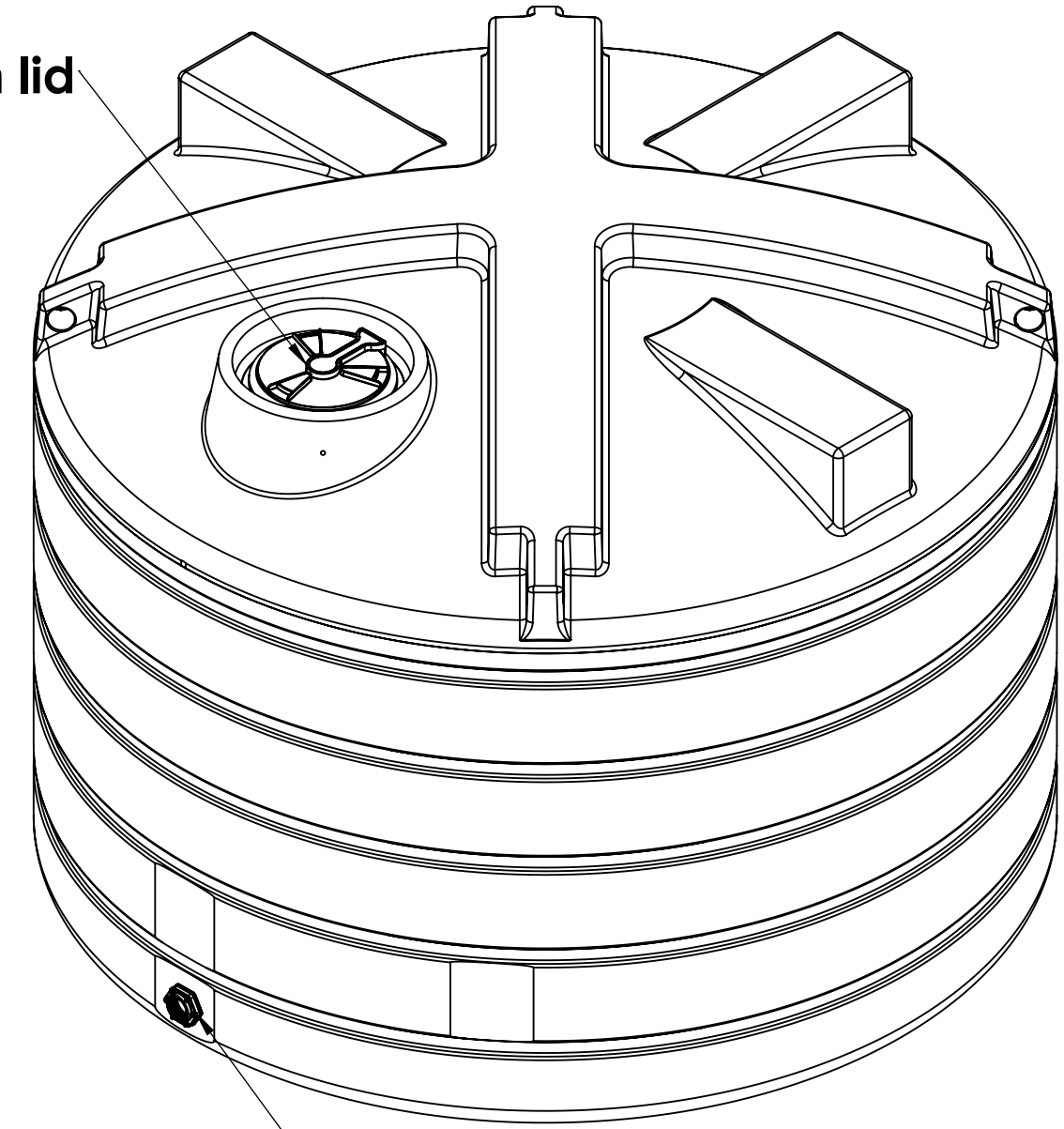
C

B

A



16 inch lid



**NOTE: Allow +/- 1.5% Shrinkage**

For more information or to get your questions answered, contact us!  
[www.clarionmunicipal.com](http://www.clarionmunicipal.com) or call us at : (+1) 863-261-8388 | [info@oneclarion.com](mailto:info@oneclarion.com)

**PROPRIETARY AND CONFIDENTIAL**  
 THE INFORMATION CONTAINED IN THIS DRAWING IS THE SOLE PROPERTY OF ENDURAPLAS LLC. ANY REPRODUCTION IN PART OR AS A WHOLE WITHOUT THE WRITTEN PERMISSION OF ENDURAPLAS LLC IS PROHIBITED.

UNLESS OTHERWISE SPECIFIED:		NAME	DATE	ENDURAPLAS LLC	
DIMENSIONS ARE IN INCHES		DRAWN	DNS	11/1/16	TITLE:
TOLERANCES:		CHECKED			THV06011
FRACTIONAL ±		ENG APPR.			SIZE DWG. NO.
ANGULAR: MACH ± BEND ±		MFG APPR.			REV
TWO PLACE DECIMAL ±		Q.A.			1
THREE PLACE DECIMAL ±		COMMENTS:			SCALE: 1:50 WEIGHT: SHEET 1 OF 1
INTERPRET GEOMETRIC TOLERANCING PER:	MATERIAL:	FINISH:	APPLICATION:	DO NOT SCALE DRAWING	

4

3

2

1