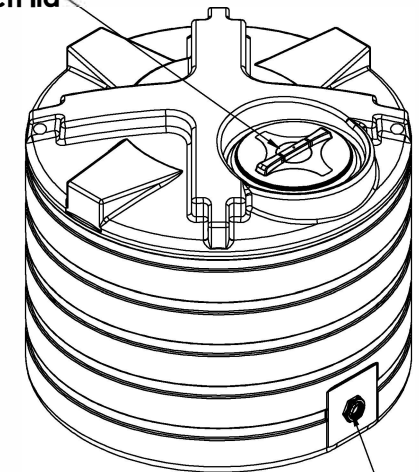
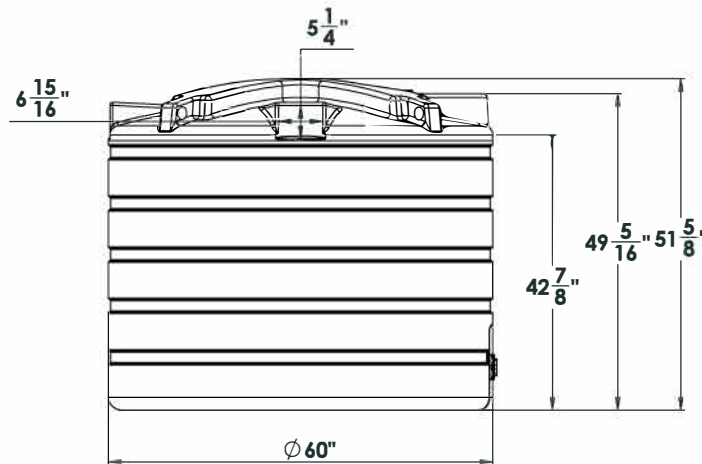
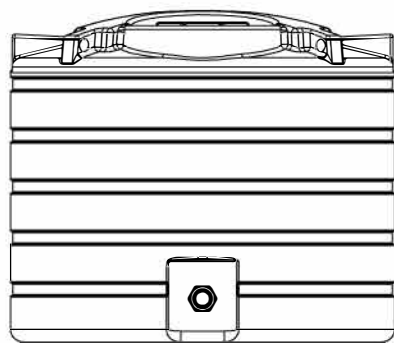


16 inch lid



2 inch threaded fitting



**NOTE: Allow +/- 1.5% Shrinkage**

For more information or to get your questions answered, contact us!  
[www.clarionmunicipal.com](http://www.clarionmunicipal.com) or call us at : (+1) 863-261-8388 | [info@oneclarion.com](mailto:info@oneclarion.com)

**PROPRIETARY AND CONFIDENTIAL**  
 THE INFORMATION CONTAINED IN THIS DRAWING IS THE SOLE PROPERTY OF ENDURAPLAS LLC. ANY REPRODUCTION IN PART OR AS A WHOLE WITHOUT THE WRITTEN PERMISSION OF ENDURAPLAS LLC IS PROHIBITED.

UNLESS OTHERWISE SPECIFIED:		DRAWN	NAME	DATE	<b>ENDURAPLAS LLC</b>	
DIMENSIONS ARE IN INCHES		CHECKED	DNS	10/31/16	TITLE:	
TOLERANCES:		ENG APPR.			<b>TLV00550</b>	
FRACTIONAL ±		MFG APPR.			SIZE	DWG. NO.
ANGULAR: MATCH ±		Q.A.			<b>C</b>	<b>1</b>
TWO PLACE DECIMAL ±		COMMENTS:			SCALE: 1:20	WEIGHT:
THREE PLACE DECIMAL ±						SHEET 1 OF 1
INTERPRET GEOMETRIC TOLERANCING PER:		NEXTASSY		USED ON		
MATERIAL:		APPLICATION		DO NOT SCALE DRAWING		