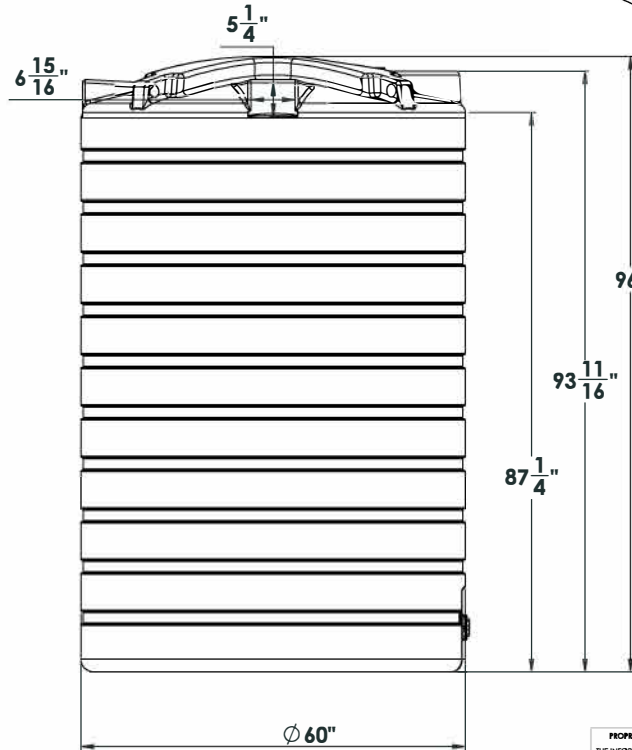
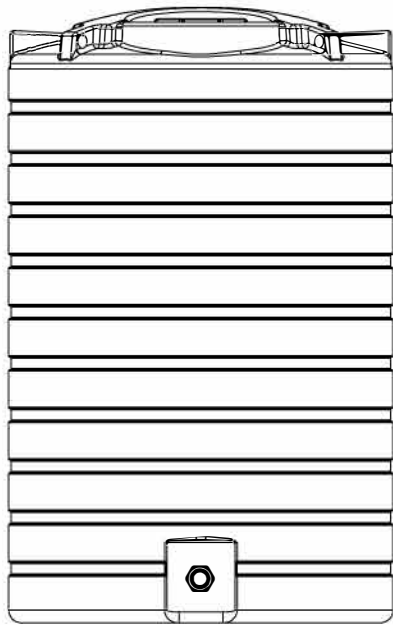
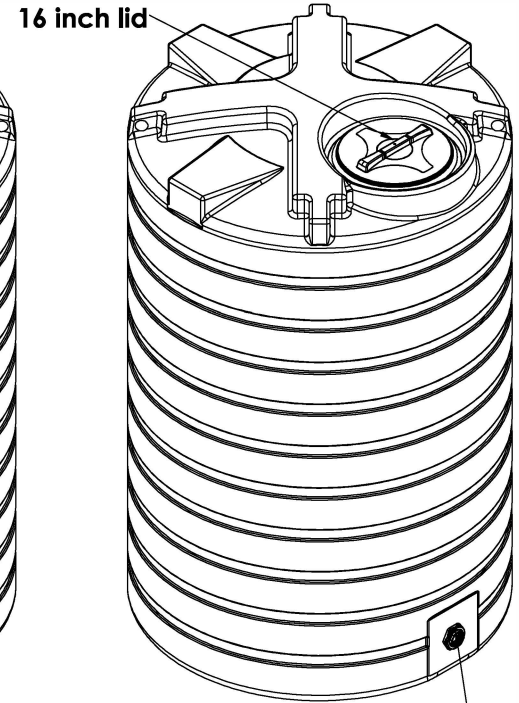
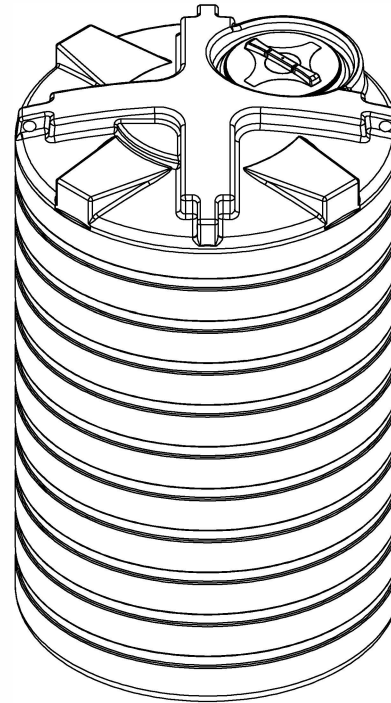
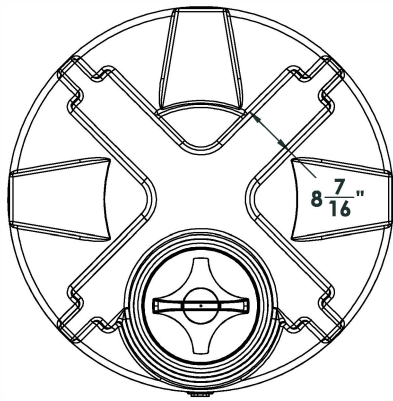


4

3

2

1



NOTE: Allow +/- 1.5% Shrinkage

UNLESS OTHERWISE SPECIFIED:		DATE:	ENDURAPLAS LLC	
DIMENSIONS ARE IN INCHES		10/31/16	TITLE:	
TOLERANCES:			TLV01100	
FRACTIONAL ±			SIZE	DWG. NO.
ANGULAR: MACH ±			C	1
BEND ±			SCALE: 1:20	WEIGHT:
TWO PLACE DECIMAL ±				SHEET 1 OF 1
THREE PLACE DECIMAL ±				
INTERPRET GEOMETRIC TOLERANCING PER:				
MATERIAL:				
FINISH:				
NEXT ASSY	U SEB/D	APPLICATION	DO NOT SCALE DRAWING	

PROPRIETARY AND CONFIDENTIAL
 THE INFORMATION CONTAINED IN THIS DRAWING IS THE SOLE PROPERTY OF ENDURAPLAS LLC. ANY REPRODUCTION IN PART OR AS A WHOLE WITHOUT THE WRITTEN PERMISSION OF ENDURAPLAS LLC IS PROHIBITED.

For more information or to get your questions answered, contact us!
www.clarionmunicipal.com or call us at : (+1) 863-261-8388 | info@oneclarion.com

4

3

2

1