

4

3

2

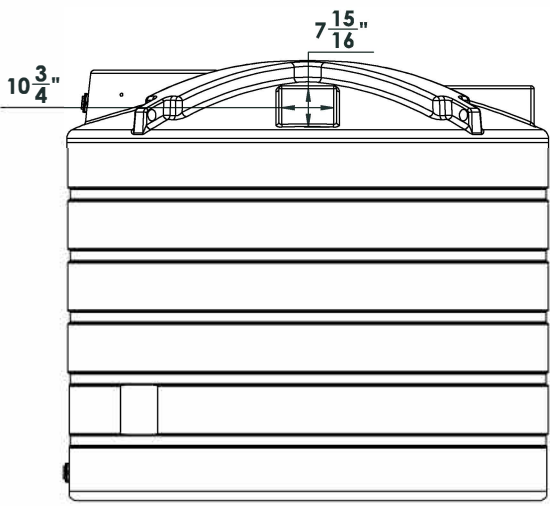
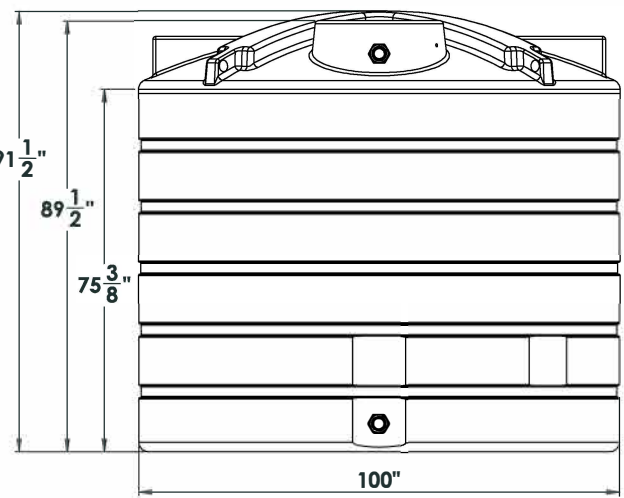
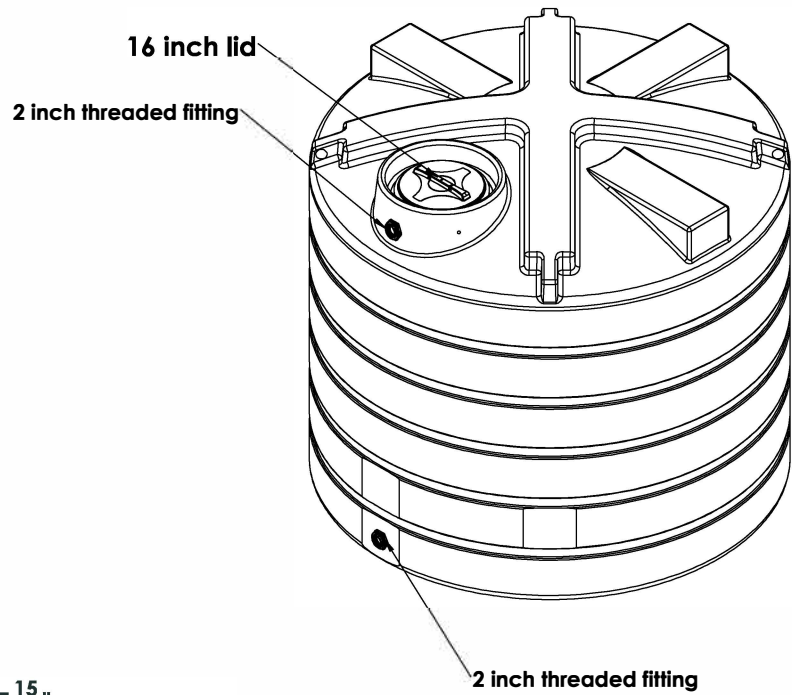
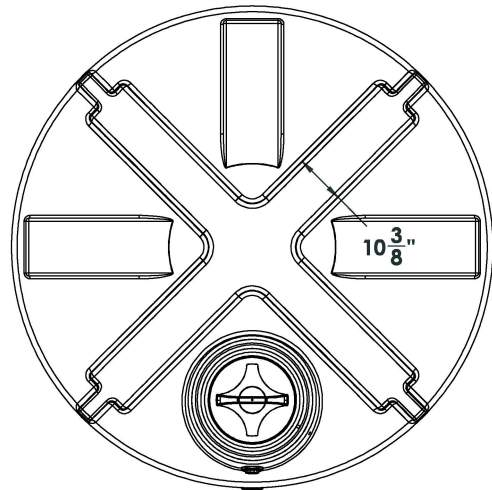
1

D

C

B

A



**NOTE: Allow +/- 1.5% Shrinkage**

For more information or to get your questions answered, contact us!  
[www.clarionmunicipal.com](http://www.clarionmunicipal.com) or call us at : (+1) 863-261-8388 | [info@oneclarion.com](mailto:info@oneclarion.com)

**PROPRIETARY AND CONFIDENTIAL**  
 THE INFORMATION CONTAINED IN THIS DRAWING IS THE SOLE PROPERTY OF ENDURAPLAS LLC. ANY REPRODUCTION IN PART OR AS A WHOLE WITHOUT THE WRITTEN PERMISSION OF ENDURAPLAS LLC IS PROHIBITED.

UNLESS OTHERWISE SPECIFIED:		DRAWN	NAME	DATE	<b>ENDURAPLAS LLC</b>	
DIMENSIONS ARE IN INCHES TOLERANCES: FRACTIONALS ± ANGULAR: MATCH BEND ± TWO PLACE DECIMAL ± THREE PLACE DECIMAL ±		CHECKED	DNS	11/3/16		
INTERPRET GEOMETRIC TOLERANCING PER:		ENG APPR.			<b>TLV02600</b>	SIZE DWG. NO.
MATERIAL:		MFG APPR.				<b>C</b>
FINISH:		Q.A.				REV
APPLICATION	DO NOT SCALE DRAWING	COMMENTS:				<b>1</b>
NEXTASSY	USED ON				SCALE: 1:50 WEIGHT:	SHEET 1 OF 1

4

3

2

1