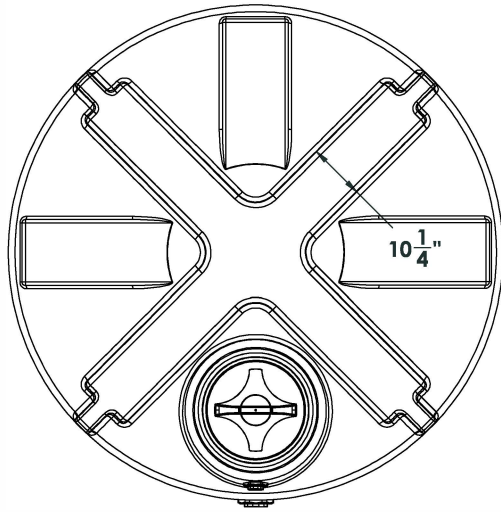


4

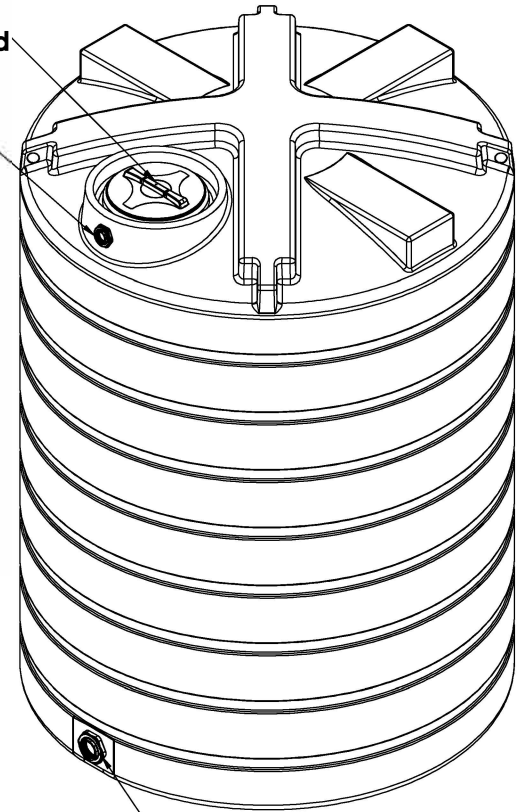
3

2

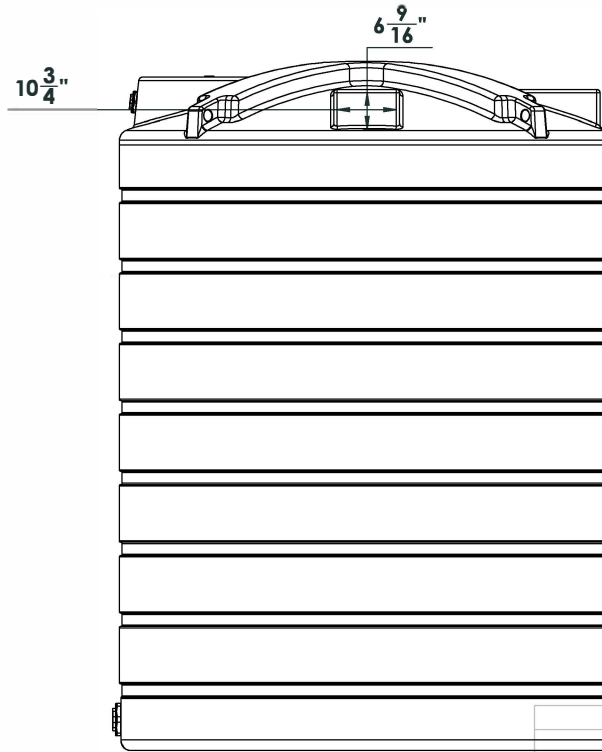
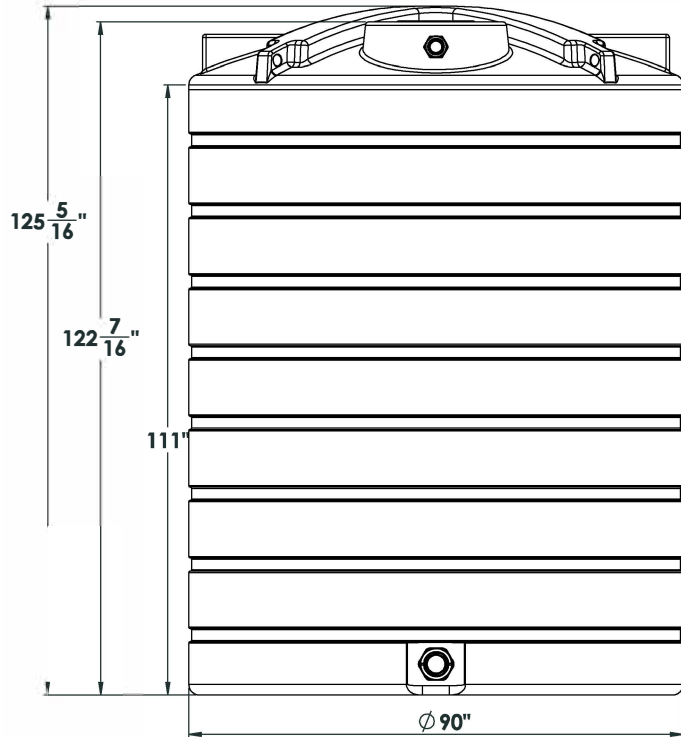
1



16 inch lid  
2 inch threaded fitting



3 inch threaded fitting



**NOTE: Allow +/- 1.5% Shrinkage**

For more information or to get your questions answered, contact us!  
[www.clarionmunicipal.com](http://www.clarionmunicipal.com) or call us at : (+1) 863-261-8388 | [info@oneclarion.com](mailto:info@oneclarion.com)

**PROPRIETARY AND CONFIDENTIAL**  
 THE INFORMATION CONTAINED IN THIS DRAWING IS THE SOLE PROPERTY OF ENDURAPLAS LLC. ANY REPRODUCTION IN PART OR AS A WHOLE WITHOUT THE WRITTEN PERMISSION OF ENDURAPLAS LLC IS PROHIBITED.

UNLESS OTHERWISE SPECIFIED:		NAME	DATE	<b>ENDURAPLAS LLC</b>	
DIMENSIONS ARE IN INCHES		DRAWN	DNS	11/1/16	TITLE:
TOLERANCES:		CHECKED			<b>TLV03000</b>
FRACTIONALS ±		ENG APPR.			SIZE DWG. NO.
ANGULAR: MATCH BEND ±		MFG APPR.			<b>C</b>
TWO PLACE DECIMAL ±		Q.A.			REV
THREE PLACE DECIMAL ±		COMMENTS:			<b>1</b>
INTERPRET GEOMETRIC TOLERANCING PER:	MATERIAL				SCALE: 1:50 WEIGHT:
					SHEET 1 OF 1
FINISH	APPLICATION	DO NOT SCALE DRAWING			

4

3

2

1