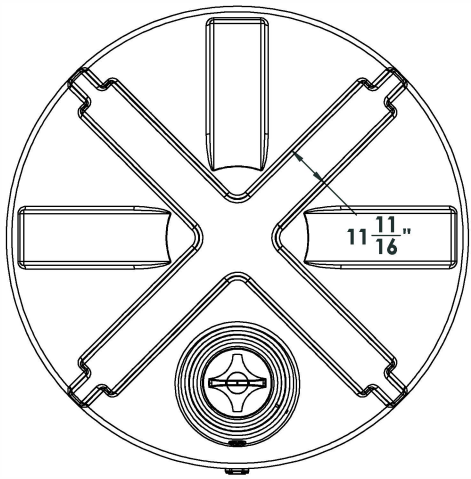


4

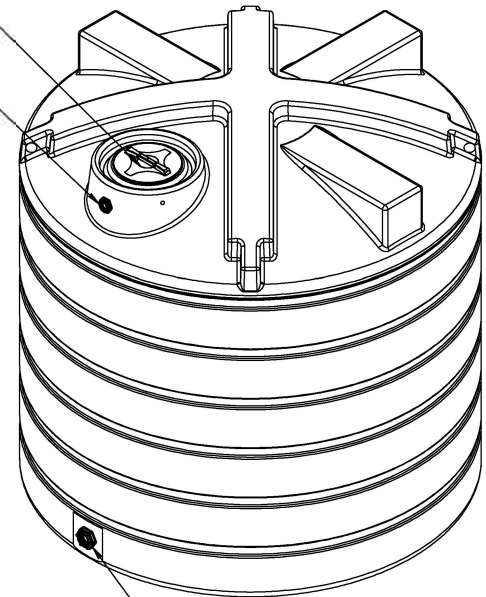
3

2

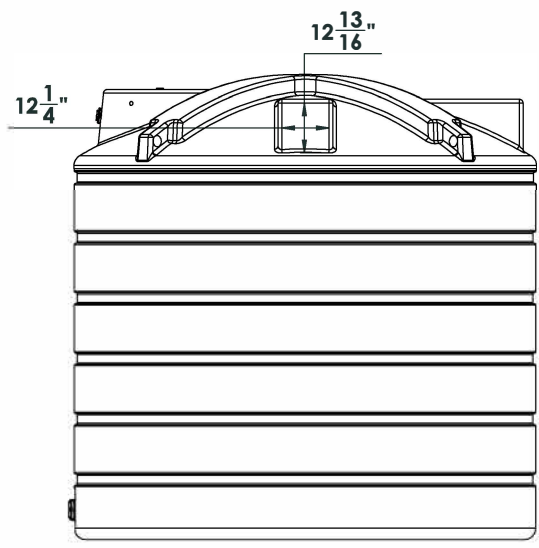
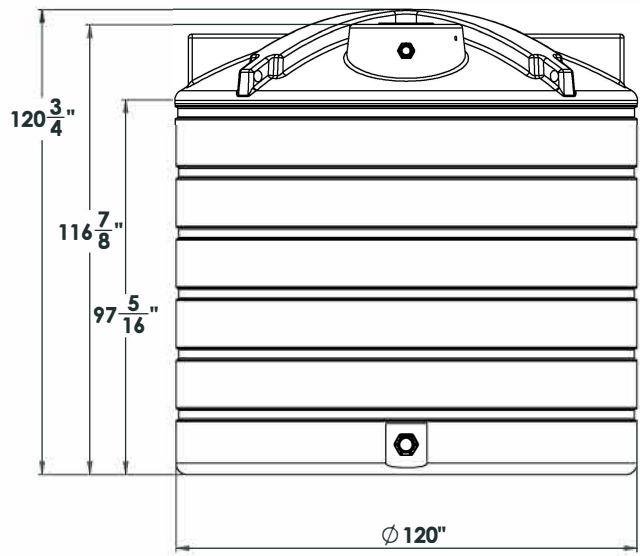
1



16 inch lid
2 inch threaded fitting



3 inch bolted fitting



NOTE: Allow +/- 1.5% Shrinkage

For more information or to get your questions answered, contact us!
www.clarionmunicipal.com or call us at : (+1) 863-261-8388 | info@oneclarion.com

PROPRIETARY AND CONFIDENTIAL
 THE INFORMATION CONTAINED IN THIS DRAWING IS THE SOLE PROPERTY OF ENDURAPLAS LLC. ANY REPRODUCTION IN PART OR AS A WHOLE WITHOUT THE WRITTEN PERMISSION OF ENDURAPLAS LLC IS PROHIBITED.

UNLESS OTHERWISE SPECIFIED:		NAME	DATE	ENDURAPLAS LLC	
DIMENSIONS ARE IN INCHES	DRAWN	DNS	11/3/16	TITLE:	
TOLERANCES:	CHECKED			TLV05050	
FRACTIONALS ±	ENG APPR.			SIZE	DWG. NO.
ANGULAR: MATCH BEND ±	MFG APPR.			C	1
TWO PLACE DECIMAL ±	Q.A.			SCALE: 1:50	WEIGHT:
THREE PLACE DECIMAL ±	COMMENTS:				SHEET 1 OF 1
INTERPRET GEOMETRIC TOLERANCING PER:					
MATERIAL:					
FINISH:					
APPLICATION:	DO NOT SCALE DRAWING				

4

3

2

1