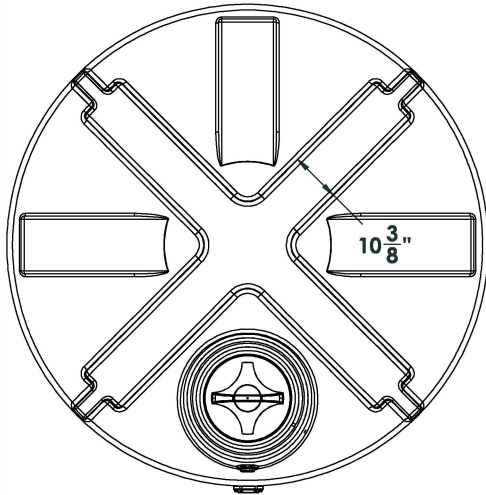


4

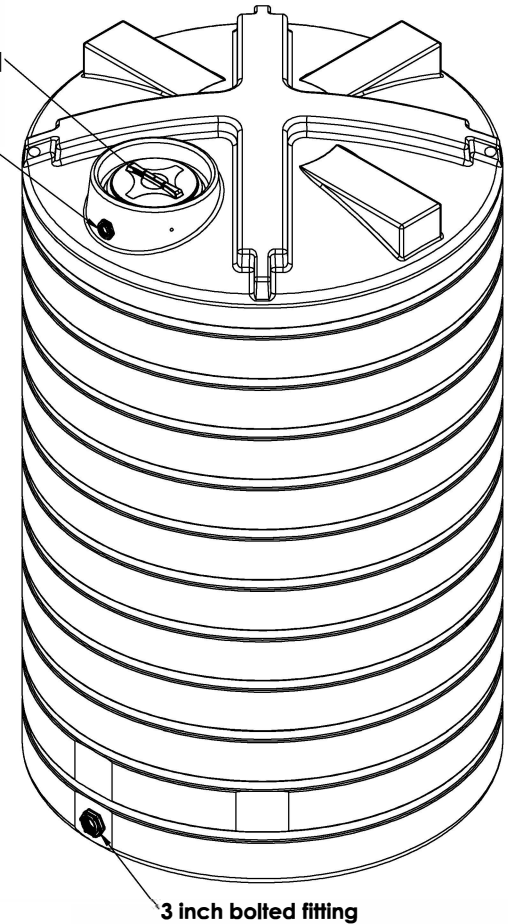
3

2

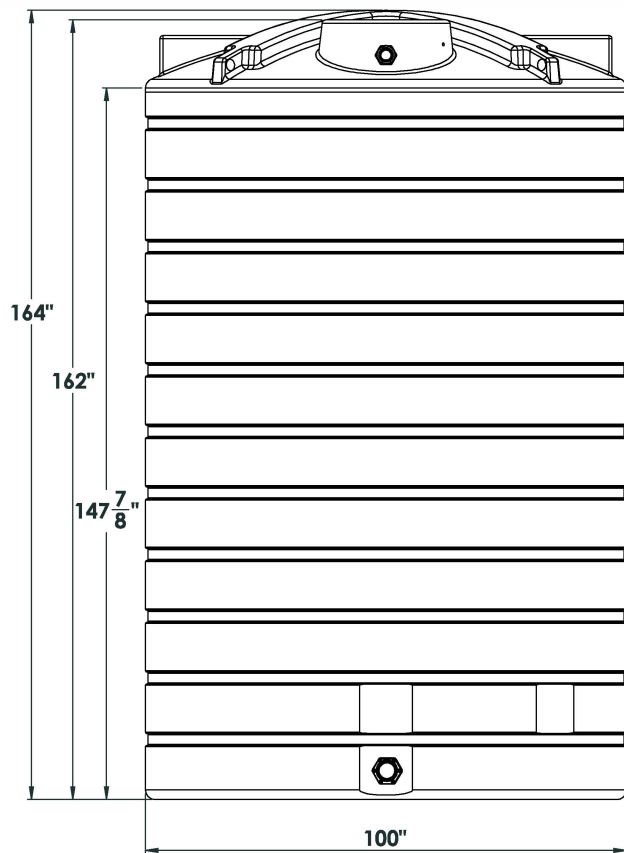
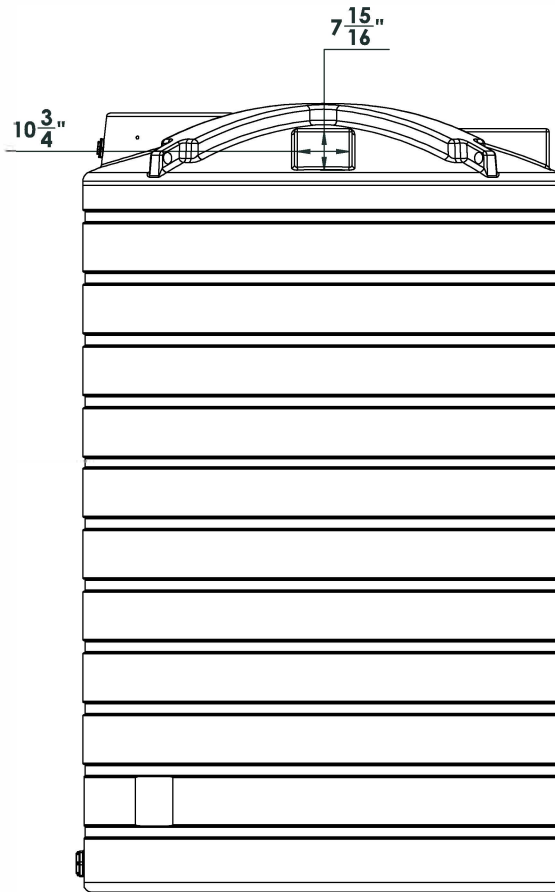
1



16 inch lid
2 inch threaded fitting



3 inch bolted fitting



NOTE: Allow +/- 1.5% Shrinkage

UNLESS OTHERWISE SPECIFIED:		NAME	DATE	ENDURAPLAS LLC
DIMENSIONS ARE IN INCHES		DRAWN	DNS	
TOLERANCES:		CHECKED		TITLE:
FRACTIONAL ±		ENG APPR.		TLV05200
ANGULAR: MATCH ±		MFG APPR.		SIZE DWG. NO.
BEND ±		Q.A.		REV
TWO PLACE DECIMAL ±		COMMENTS:		1
THREE PLACE DECIMAL ±				SCALE: 1:50 WEIGHT:
INTERPRET GEOMETRIC TOLERANCING PER:				SHEET 1 OF 1
MATERIAL				
NEXT ASSY	USED ON	FINISH		
APPLICATION	DO NOT SCALE DRAWING			

For more information or to get your questions answered, contact us!
www.clarionmunicipal.com or call us at : (+1) 863-261-8388 | info@oneclarion.com

PROPRIETARY AND CONFIDENTIAL
 THE INFORMATION CONTAINED IN THIS DRAWING IS THE SOLE PROPERTY OF ENDURAPLAS LLC. ANY REPRODUCTION IN PART OR AS A WHOLE WITHOUT THE WRITTEN PERMISSION OF ENDURAPLAS LLC IS PROHIBITED.

4

3

2

1