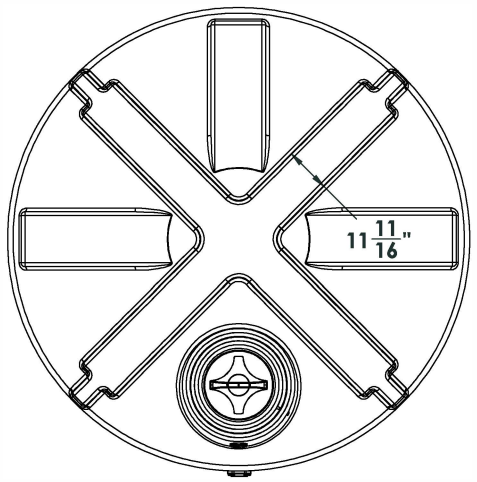


4

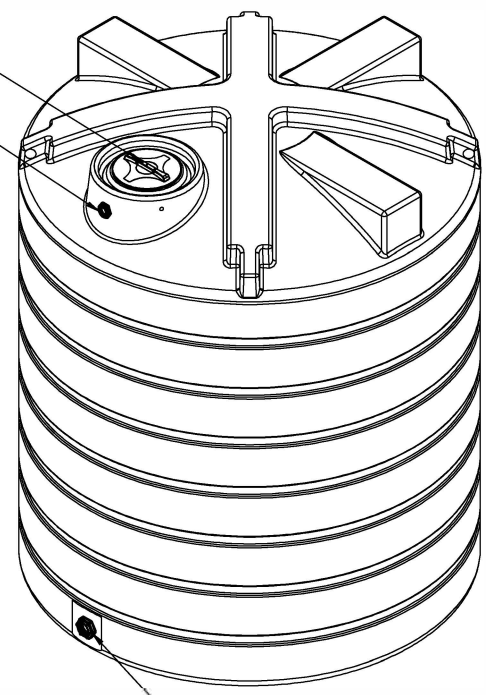
3

2

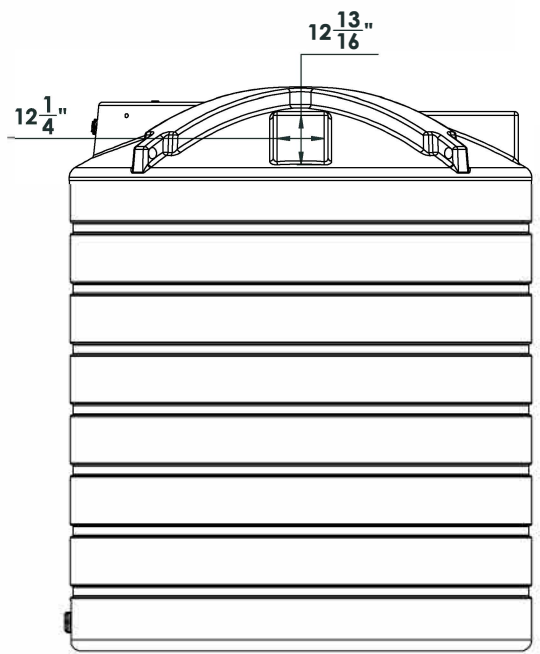
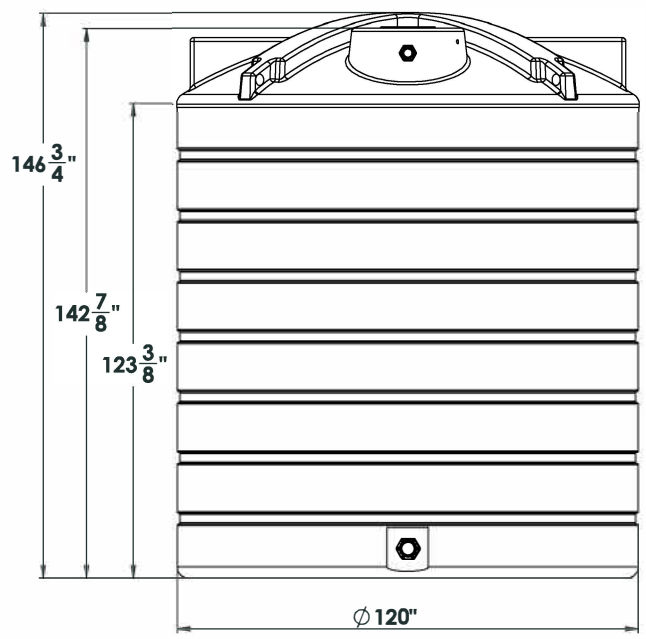
1



16 inch lid
2 inch threaded fitting



3 inch bolted fitting



NOTE: Allow +/- 1.5% Shrinkage

For more information or to get your questions answered, contact us!
www.clarionmunicipal.com or call us at : (+1) 863-261-8388 | info@oneclarion.com

PROPRIETARY AND CONFIDENTIAL
 THE INFORMATION CONTAINED IN THIS DRAWING IS THE SOLE PROPERTY OF ENDURAPLAS LLC. ANY REPRODUCTION IN PART OR AS A WHOLE WITHOUT THE WRITTEN PERMISSION OF ENDURAPLAS LLC IS PROHIBITED.

UNLESS OTHERWISE SPECIFIED:		DATE:	ENDURAPLAS LLC	
DIMENSIONS ARE IN INCHES		DRAWN:	TITLE:	
TOLERANCES:		DNS	11/2/16	
FRACTIONAL ±		CHECKED:	TLV06250	
ANGULAR: MATCH BEND ±		ENG:	REV	
TWO PLACE DECIMAL ±		APR	1	
THREE PLACE DECIMAL ±		MFG APPR:	SCALE: 1:50 WEIGHT:	
INTERPRET GEOMETRIC TOLERANCING PER:		G.A.:	SHEET 1 OF 1	
MATERIAL:		COMMENTS:		
NEXT ASSY	USED ON	FINISH		
APPLICATION	DO NOT SCALE DRAWING			

4

3

2

1