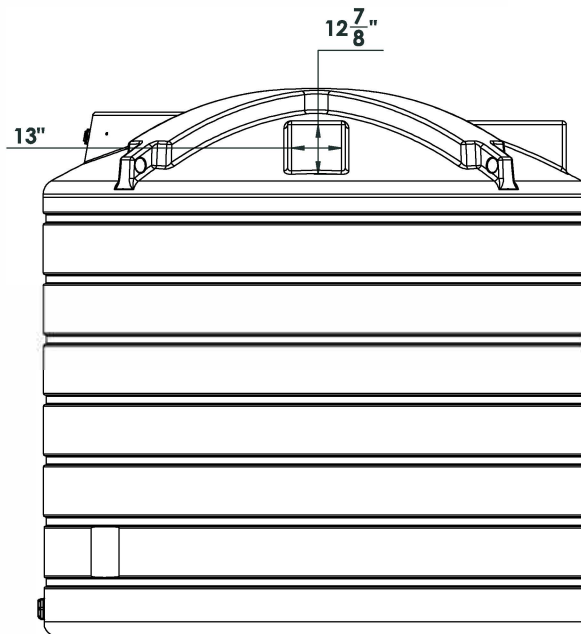
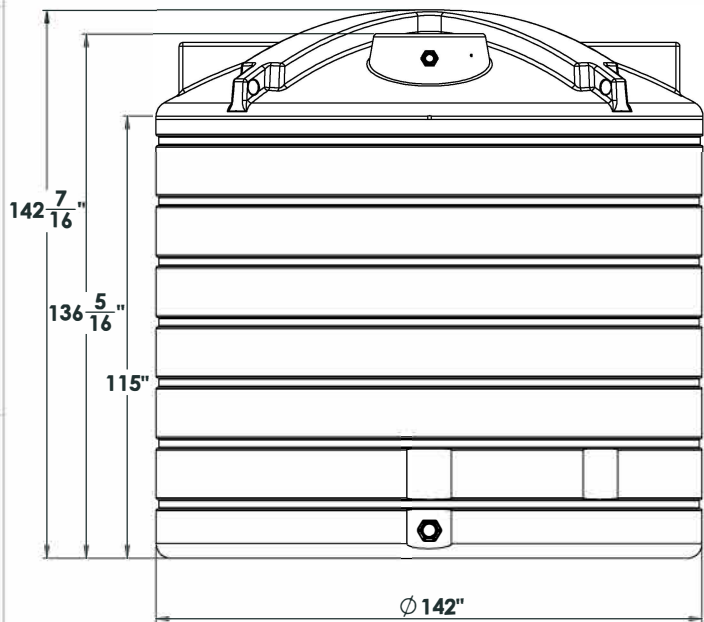
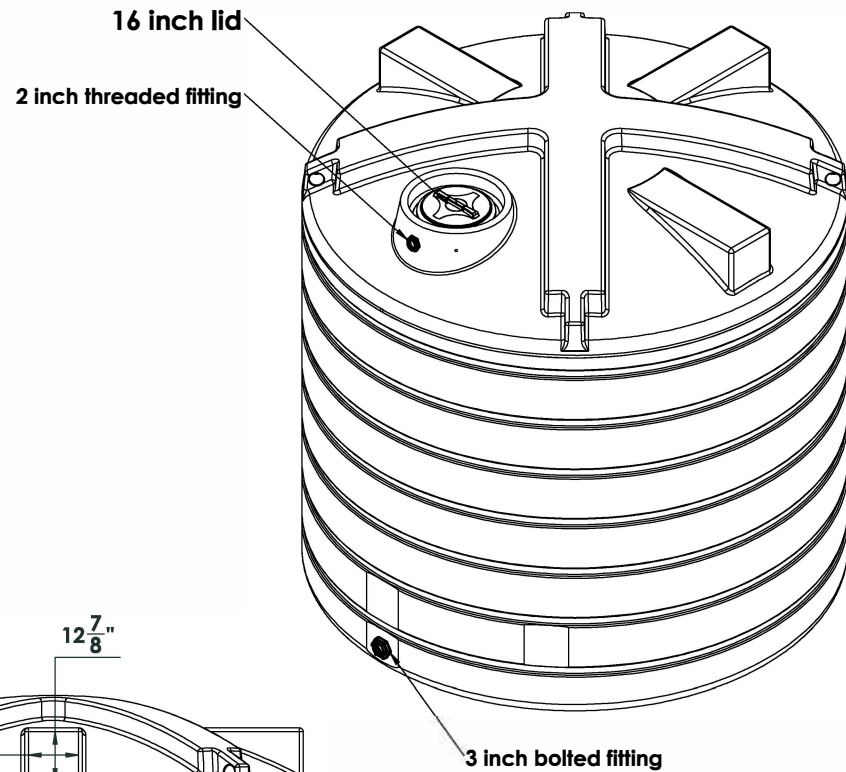
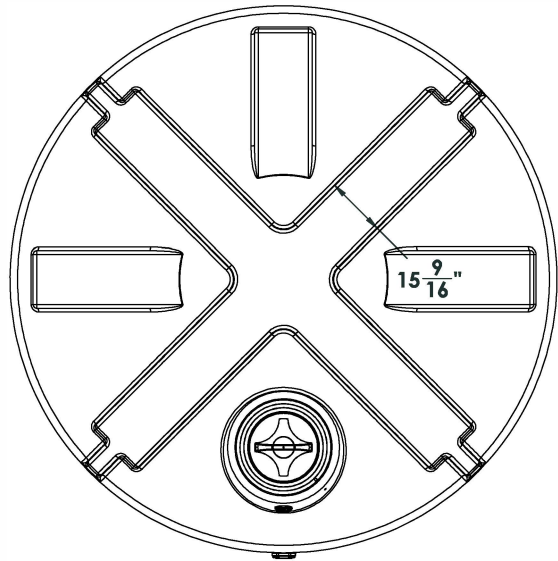


4

3

2

1



NOTE: Allow +/- 1.5% Shrinkage

For more information or to get your questions answered, contact us!
www.clarionmunicipal.com or call us at : (+1) 863-261-8388 | info@oneclarion.com

PROPRIETARY AND CONFIDENTIAL
 THE INFORMATION CONTAINED IN THIS
 DRAWING IS THE SOLE PROPERTY OF
 ENDURAPLAS LLC. ANY REPRODUCTION
 IN PART OR AS A WHOLE WITHOUT THE
 WRITTEN PERMISSION OF ENDURAPLAS LLC
 IS PROHIBITED.

UNLESS OTHERWISE SPECIFIED:		NAME	DATE
DIMENSIONS ARE IN INCHES		DRAWN	DNS
TOLERANCES:		CHECKED	11/1/16
FRACTIONALS		ENG APPR.	
ANGULAR: MATCH BEND ±		MFG APPR.	
TWO PLACE DECIMAL ±		G.A.	
THREE PLACE DECIMAL ±		COMMENTS:	
INTERPRET GEOMETRIC TOLERANCING PER:	APPROVAL:		
	INS:		
NEXT ASSY	USED ON		
APPLICATION	DO NOT SCALE DRAWING		

ENDURAPLAS LLC	
TITLE:	
TLV08000	
SIZE	DWG. NO.
C	1
SCALE: 1:50	WEIGHT:
	SHEET 1 OF 1

4

3

2

1