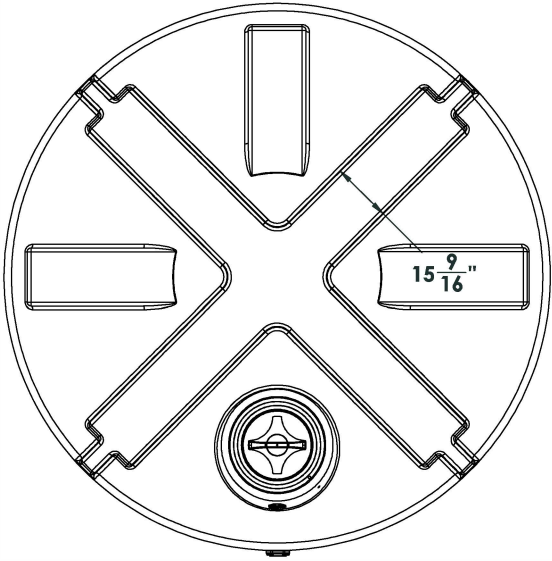


4

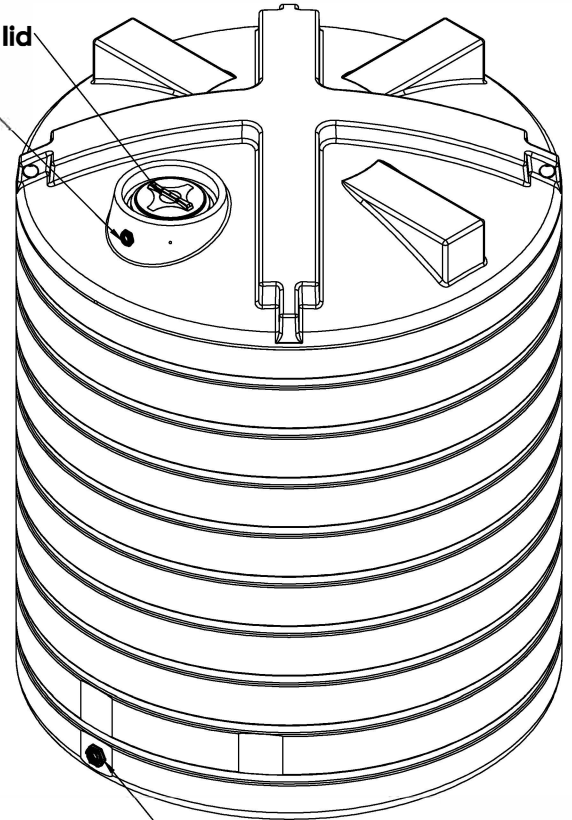
3

2

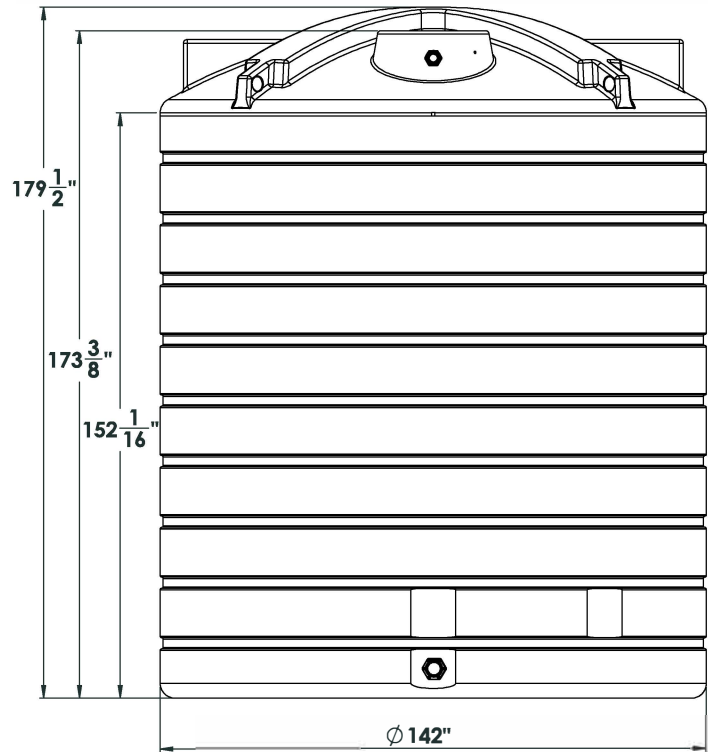
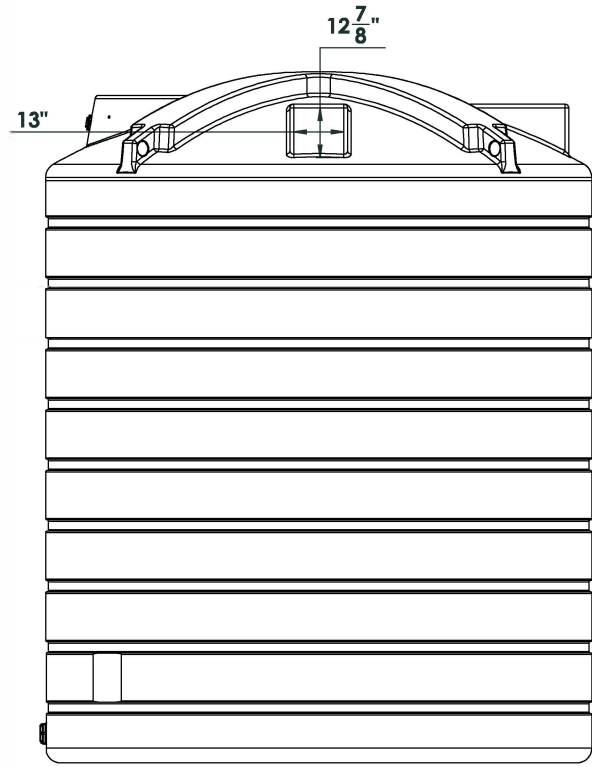
1



16 inch lid
2 inch threaded fitting



3 inch bolted fitting



NOTE: Allow +/- 1.5% Shrinkage

For more information or to get your questions answered, contact us!
www.clarionmunicipal.com or call us at : (+1) 863-261-8388 | info@oneclarion.com

PROPRIETARY AND CONFIDENTIAL
 THE INFORMATION CONTAINED IN THIS DRAWING IS THE SOLE PROPERTY OF ENDURAPLAS LLC. ANY REPRODUCTION IN PART OR AS A WHOLE WITHOUT THE WRITTEN PERMISSION OF ENDURAPLAS LLC IS PROHIBITED.

UNLESS OTHERWISE SPECIFIED:		NAME	DATE	ENDURAPLAS LLC	
DIMENSIONS ARE IN INCHES		DRAWN	DNS		
TOLERANCES:		CHECKED		TITLE:	
FRACTIONAL ±		ENG APPR.		TLV10000	
ANGULAR: MATCH ± BEND ±		MFG APPR.			
TWO PLACE DECIMAL ±		Q.A.		SIZE DWG. NO.	
THREE PLACE DECIMAL ±		COMMENTS:		C	
INTERPRET GEOMETRIC TOLERANCING PER:				REV	
MATERIAL				1	
FINISH				SCALE: 1:50 WEIGHT:	
NEXT ASSY	USED ON			SHEET 1 OF 1	
APPLICATION	DO NOT SCALE DRAWING				

4

3

2

1