

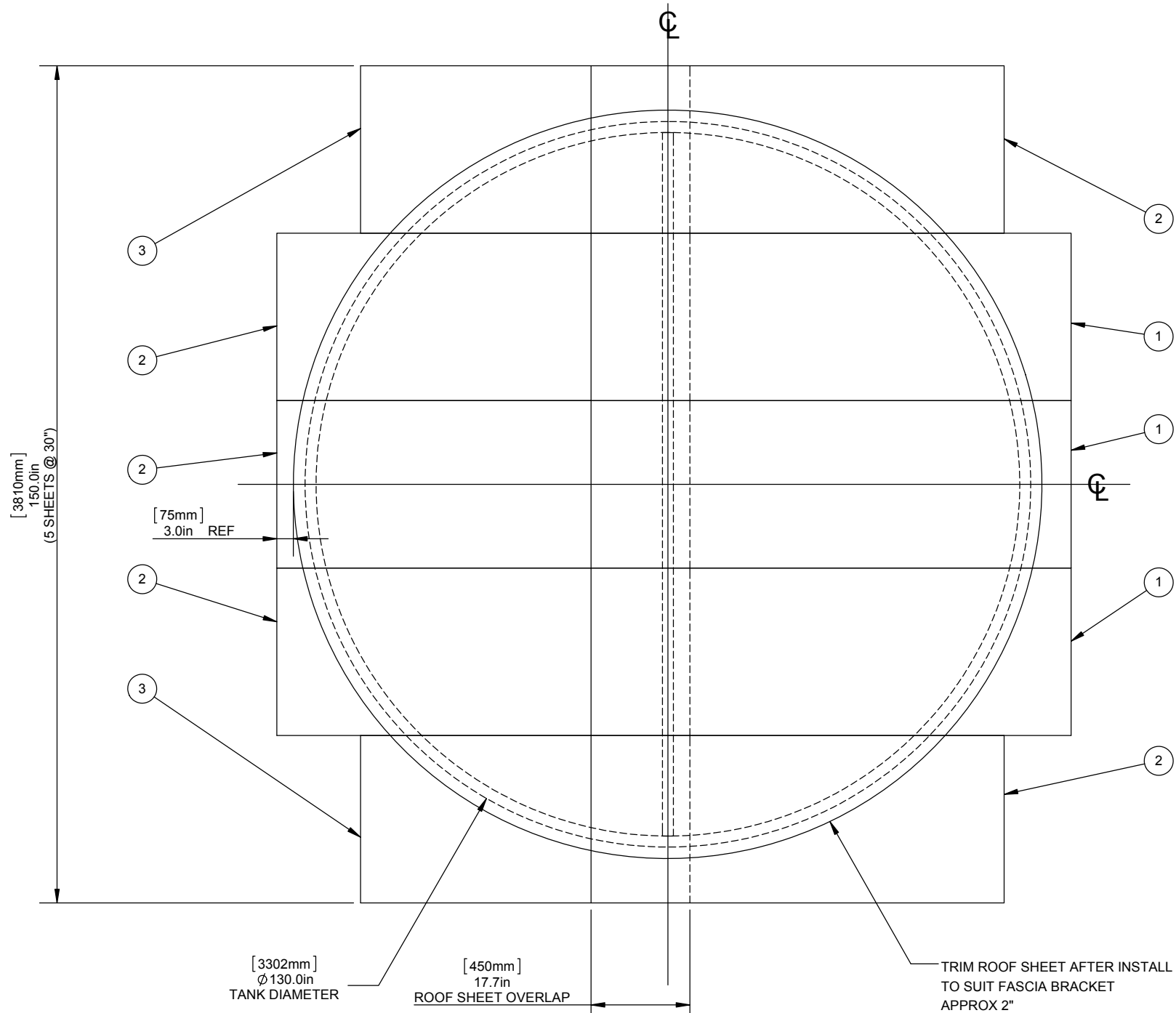
4

3

2

1

ITEM NO.	DESCRIPTION	Length	QTY.
1	CORRUGATED ROOF SHEETING ZINCALUME 0.42 BMT	86.0	3
2	CORRUGATED ROOF SHEETING ZINCALUME 0.42 BMT	74.0	5
3	CORRUGATED ROOF SHEETING ZINCALUME 0.42 BMT	59.0	2



ROOF SHEET LAYOUT SCHEMATIC

REV.	DESCRIPTION	DATE	DRN	APPROVED
A	ISSUE FOR INFORMATION	24 JAN 20	JC	DD
REVISIONS				

 www.clarionmunicipal.com PO Box 700338 Wabasso, FL 32970 863-261-8388 info@oneclarion.com	INIT.	DATE	DESCRIPTION AQUADOT TANKS ROOF SHEET LAYOUT CA5000 TANK - 5000 GALLONS 130" DIAMETER x 87" TALL	
	DRAWN BY	JC		24 JAN 20
	CHECKED	DD		24 JAN 20
	APPROVED			
	ISSUED			
	[MILLIMETERS] INCHES	SCALE NOTED	SHEET SHEET 1	
	PROJ. No.	DWG No.	REV A	
	NA	URI-RX-DCA5-000	SHEET ANSI B	

4

3

2

1

B

B

A

A