



Curb Inlet Filter

Out of Sight, Peace of Mind

Stormwater runoff can carry a harmful mix of pollutants into a storm drain, endangering ecosystems and putting you at risk of fines or delays. Many current filtration solutions create problems of their own: unsightly buildups of sediment and debris, ponding and pooling. All of these pose safety hazards to vehicles, cyclists and foot traffic and create challenges for street-sweeping efforts.

By taking advantage of space inside the drain, the Curb Inlet Guard does the job without any of these issues. The unobtrusive, patented design fits securely into the mouth of a storm drain to filter and store pollutants, and features overflow ports to prevent water buildup.



Curb Inlet Filter

Out of Sight, Peace of Mind

Curb Inlet Filter

Unlike products that put cumbersome barriers around a drain (Fig.1), the Curb Inlet Filter fits into the opening itself – completely out of the way (Fig. 2). Easy to install and maintain, just slide the patented (U.S. Patent No. 10,323,401) Curb Inlet Filter into place and it goes to work filtering the stormwater discharge (Fig. 3).

Supporting rods and gussets utilize the structure of the grate to provide support for the debris hopper. When the hopper reaches capacity, there's no pooling around the drain: The storm water just flows out into the drain via ports in the top, so you're not creating any safety risks or messes.

Maintenance is a breeze: Just slide out the Curb Inlet Filter for easy dumping of collected materials. We recommend emptying on a regular basis.

Curb Inlet Filter Features

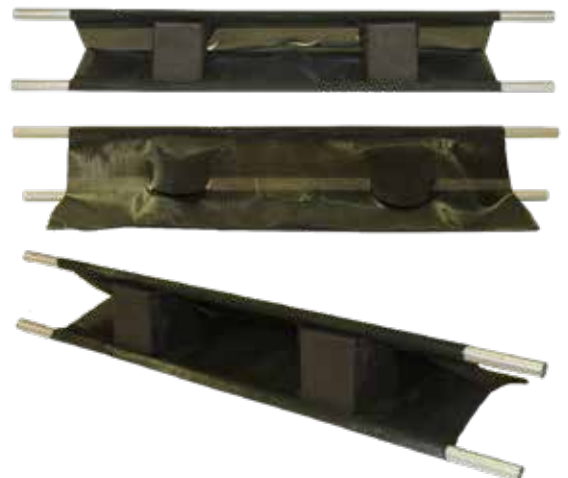
- Reduces the transfer of sediments, debris and other contaminants into the drain.
- Overflow ports helps keep water flowing, minimizing backups and flooding problems found with other designs – a proprietary feature.
- Constructed of heavy-duty materials made in the USA.

Curb Inlet Filter Advantages

- Keeps your filtering solution away from vehicle and pedestrian traffic, enhancing safety.
- Can receive optional pillows/pads for water treatment with flocculants, absorbents or other materials.
- Easy removal and dumping of sediments with regular maintenance.

Curb Inlet Filter Applications

- Runoff filtration and treatment.
- Construction site drain protection.
- Filtration for parking lots and work areas.



Curb Inlet Filter

Specifications

Specifications

Length *	Height **	Fabric Options	Includes
6'	6"	Woven Monofilament	Filter fabric, Top and Bottom Support Rods.
8'	6"	Woven Monofilament	Filter fabric, Top and Bottom Support Rods.
10'	6"	Woven Monofilament	Filter fabric, Top and Bottom Support Rods.
12'	6"	Woven Monofilament	Filter fabric, Top and Bottom Support Rods.
14'	6"	Woven Monofilament	Filter fabric, Top and Bottom Support Rods.
16'	6"	Woven Monofilament	Filter fabric, Top and Bottom Support Rods.

* Length: Built to specific site requirements.

** Height: 6" Standard. Other heights per request.

For more complete information on One Clarion products and solutions, visit us at www.clarionmunicipal.com.

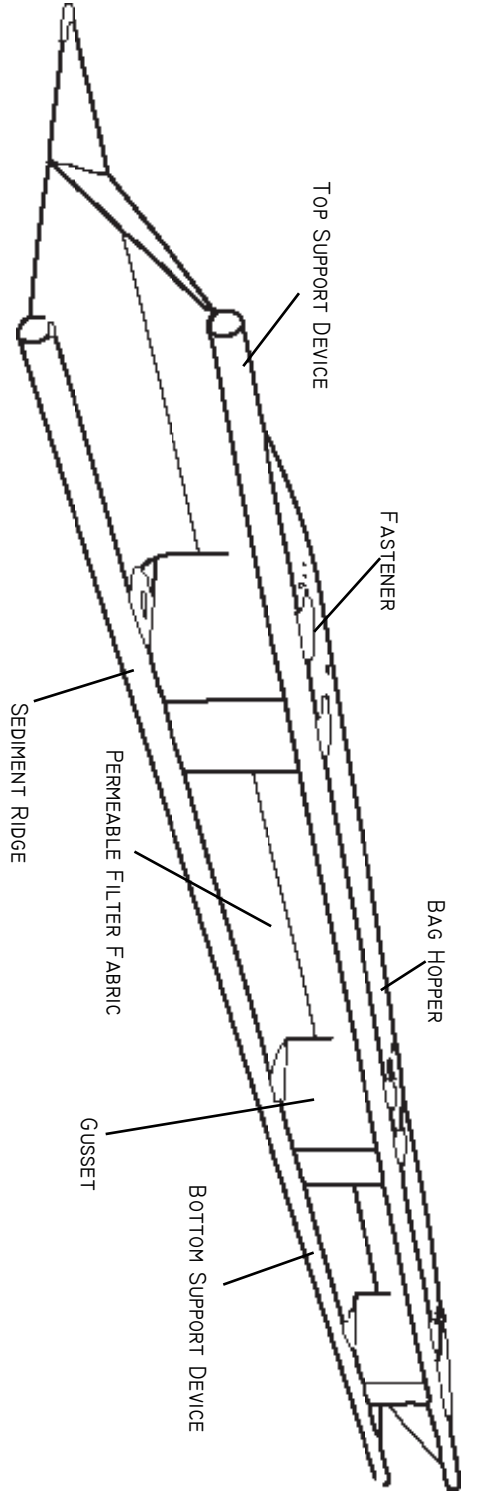
Phone: (+1) 863-261-8388 | info@oneclarion.com

© 2023 One Clarion. All rights reserved. One Clarion terms and conditions apply.

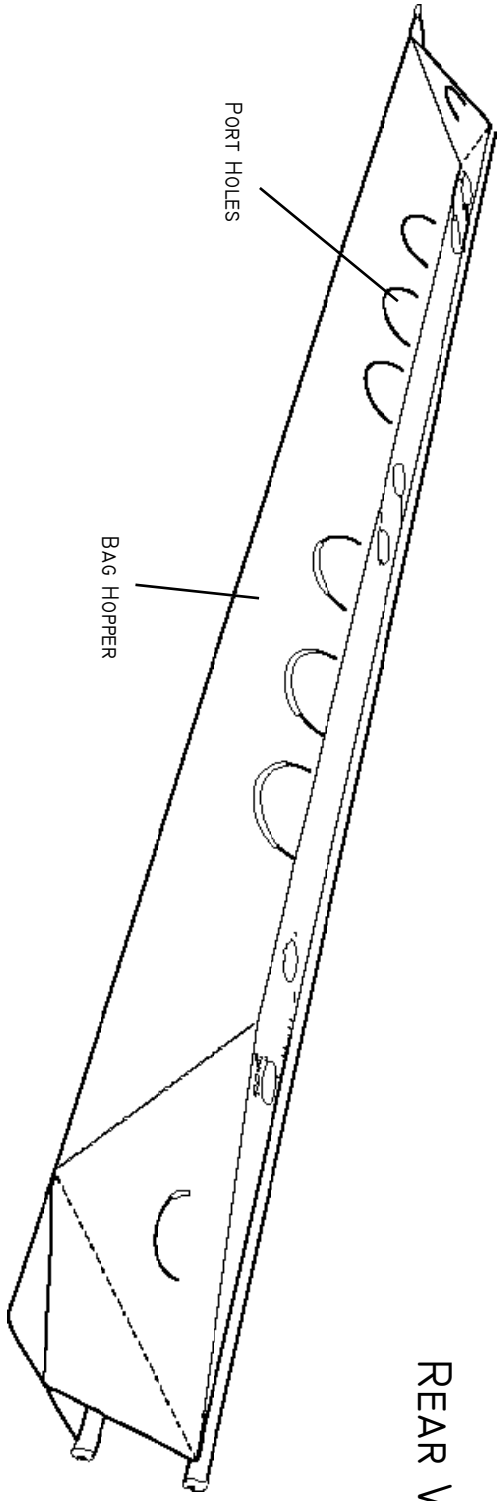
All photos are representative only. Actual products may differ. Materials and specifications are subject to change without notice. Featured products in photos may include additional equipment or accessories.



FRONT VIEW



REAR VIEW



CURB INLET GUARD

Drawing for illustrative purposes only. Not to scale. Patent Pending

Scale:	Drawing:	Revision:	Date:	By: