



# Custom Marine Water Tanks

## Water Holding Tanks

### **Custom Marine Water Tanks: Store Fresh Water on Your Boat with Confidence**

Custom marine water tanks are an essential part of storing fresh water on your boat. One Clarion offers strong, one-piece molded polyethylene tanks that comply with FDA regulation CFR 177.1520 and Coast Guard standards. We offer bow, rectangle, and wedge shaped seamless tanks in a wide range of sizes. Our high-quality tanks give you the unique size and fit you're looking for!

### **Effective Water Storage**

Our roto-mold, seamless marine tanks don't crack or weaken over time, giving them a longer tank life. The 3/8" tank walls are not only durable, but protect your water from contamination and corrosion. Our tank is the right choice for storing fresh water, graywater, and wash water on.

Perfect for:

- Marine Boats and Vessels
- Fresh Water Storage
- Graywater Tanks
- RV Water Storage
- Ballast Tanks and more.





## Custom Marine Water Tanks

Custom marine water tanks are perfectly designed for water storage on yachts, sailboats, deep sea fishing boats and other marine vessels. FDA-approved, virgin polyethylene, ensures tank longevity and durability.

Customize to your exact specifications so you can rotate your tank to fit your unique situation. We offer custom spin-welded fittings to give you strong, permanent joint link, ensuring watertight connection and a correct fit.

## Features

- Strong, durable one piece plastic tank
- FDA and Coast Guard Specification compliant
- Fully enclosed tank with 3/8" walls
- Contamination and corrosion resistant
- Spin weld fittings available for tank connections
- Customizable for any tank size or location

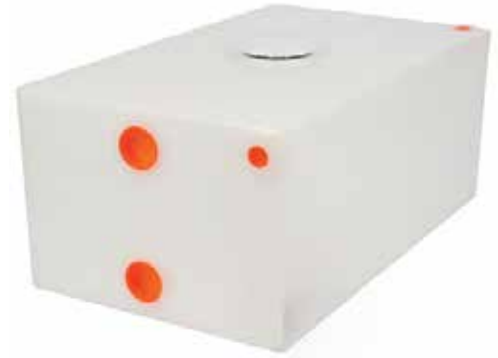


# Custom Marine Water Tank Fabrication

## Rotational Mold Process

Marine water tanks are made with a process called rotational or roto molding. Virgin Polyethylene resin is melted inside a hollow, closed mold. The mold is placed in a cast and is heated to 260°C – 370°C. The resin is rotated to evenly coat the mold creating consistent wall thickness.

Our plastic water tank fabrication creates a one-piece, watertight tank, perfect for your marine fresh water or graywater tank. Roto-mold tanks are strong, durable and seamless, preventing fresh water contamination. We customize your tank to the size and shape you need to fit your unique marine storage application.



## Spin Weld Fittings

We spin weld our fittings to make sure you have a permanent, leak-proof fitting for your tank. This method joins polyethylene components together with surface friction focused on a circular weld joint.

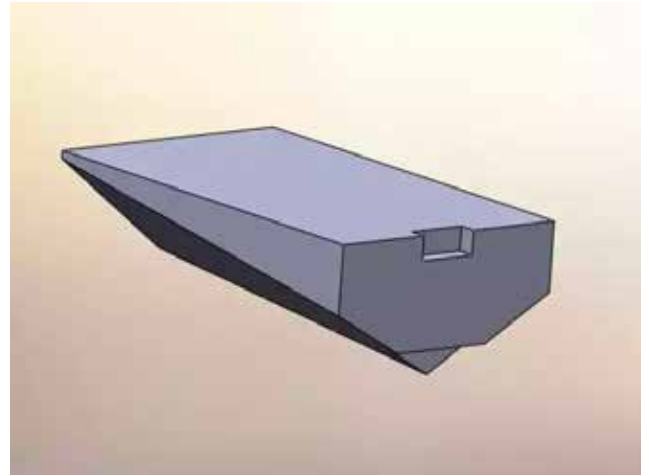
With a specialized tool, the fitting is spun relative to the tank opening while force is applied. The polyethylene fitting is heated due to the friction and melts into the tank. Once the spinning process stops, the parts continue to press together, creating a secure bond. Since we begin with a blank tank, we can create the fittings you need for your custom tank.



# Tank Specs

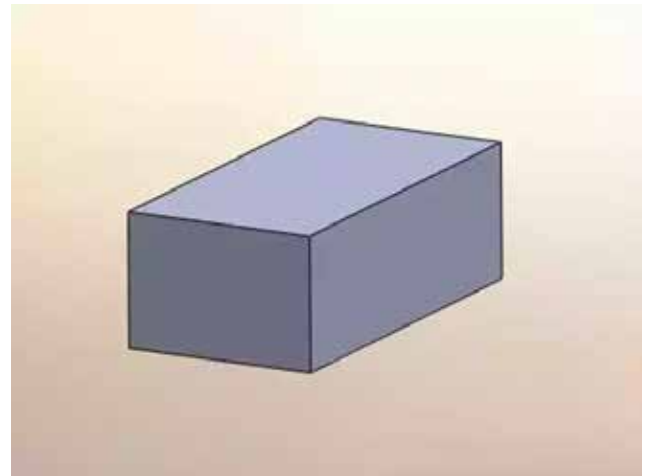
## Bow Shaped Water Tanks

Part No.	Capacity	Length	Width	Depth
W-359	56	90	17.5	12
W-360	56	90	17.5	12
W-361	16	15	25.25	13
W-363	35	66	15.5	9.81
W-365	25	59	13.5	7.5
W-366	15	36	13.5	7.5
W-366	8	19.5	13.5	7.5
W-366	12	24	15	12



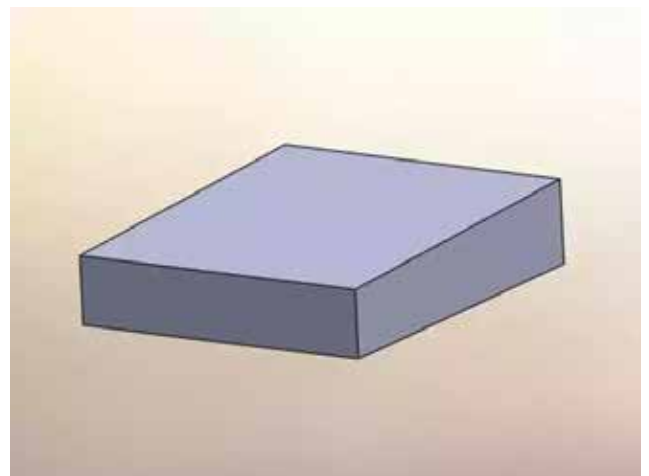
## Rectangle Shaped Water Tanks

Part No.	Capacity	Length	Width	Depth
L-1	10	18	16	8
L-2	12	24	16	8
L-3	15	30	16	8
L-4	20	36	16	8
L-5	25	48	16	8
W-1	40	58	14	12
W-101	100	50	40	12
W-108	145	50	31.25	22
W-12	53	30.25	24.5	17.25
W-17	40	41	15.25	15.5



## Wedge Shaped Water Tanks

Part No.	Capacity	Length	Width	Depth
W-211	72	61.75	24	13
W-215	100	78	26	14
W-224	88	73.75	24.25	12.75
W-273	70	73.75	24.25	10.75
W-274	65	69	24.25	10.75
W-281	81	70	26.75	11.75
W-303	97	73	24.75	14
W-349	82	48	40.5	11
W-350	108	76	40	10



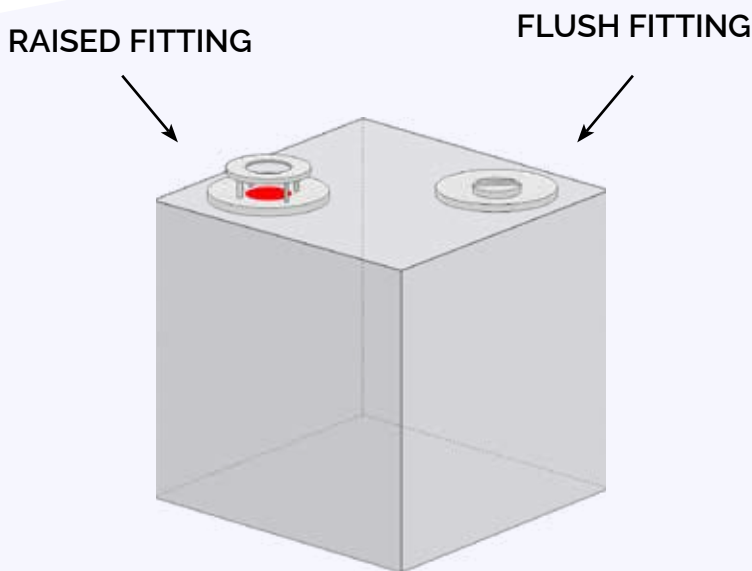
We have many more sizes and shapes available. See a [full list of specifications](#)



# Marine Water Tank Drawings and Dimensions

One Clarion wants to work with you to make sure your marine water tank is exactly what you need. Our collaborative process helps us create a custom tank that fits your dimensions and unique space. Because our tanks have no pre-drilled holes, we have the flexibility to drill holes for fittings and plumbing, no matter where they are located. Our tanks are available in custom sizes, shapes and colors.

1. The first step is to simply complete a tank drawing with your specifications and dimensions.
2. Our team will then review the drawing, and get back to you with any feedback or suggestions they might have.
3. We are committed to working with you until you're satisfied with the tank design, and then we'll process your order.
4. While we encourage you to provide specific information on fitting sizes and locations, if you're not sure about all the details, our team is ready to guide you through the process and make any changes needed.



## Benefits

- Virtually indestructible tank, durable and strong
- Customize for specific size and shape
- Suitable for many marine plumbing needs
- Easily drained during off season
- Less likely to retain odors
- Use for a variety of applications
- Light weight and easy to install

See [Full Listing of Marine Water Tank Sizes](#)



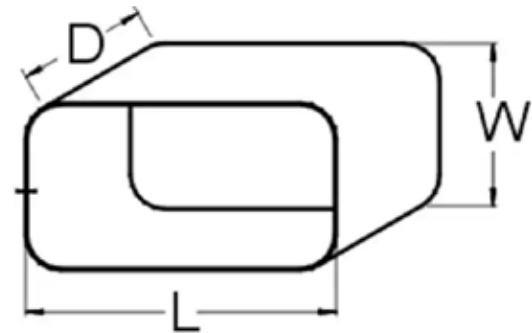
## Marine Water Tank Accessories

One Clarion offers custom tanks to fit your specific dimensions and location. We are proud to meet the parameters of your project by offering additional accessories for your marine project.

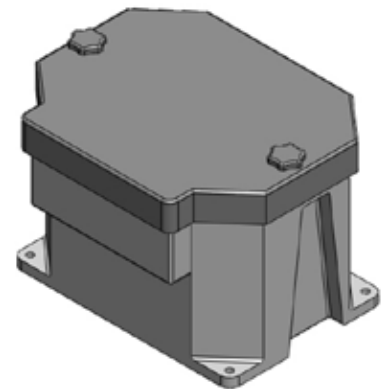
Polyethylene fittings for holding and fresh water tanks are made with a spin welding process. This produces a strong, durable permanent joint link that won't leak or break. We make fittings for your specific tanks, giving you a precise connection for your marine plumbing.



We offer high-quality boat compartments that are durable, waterproof and easy to install. Our compartments include rounded corner open ended, square corner open-ended, and square corner top and end compartments in a variety of sizes. You also have a choice of colors, sizes and styles to match your boat's interior and exterior. [List of Boat Storage Containers](#)



Our selection of heavy duty battery boxes keep your marine batteries from tipping, corroding or accidentally shorting out. Our strong boxes can be used for boats, RVs, and trailers. [Battery boxes sizes](#)



For more complete information on One Clarion products and solutions, visit us on the web at: [www.clarionmunicipal.com](http://www.clarionmunicipal.com) or call us at : (+1) 863-261-8388 | [info@oneclarion.com](mailto:info@oneclarion.com)

© 2023 One Clarion. All rights reserved. One Clarion terms and conditions apply.



# Sustainable Custom Plastic Storage

Our custom plastic marine tank gives a sustainable solution for environmental friendly water storage. Manufactured with non-toxic material, tanks have a low carbon emission during their life cycle. Our tanks can withstand corrosion, are leak proof, resist UV damage, and last longer than other tanks. Reduce your carbon footprint with our flexible, cost-effective plastic marine tanks.



If your looking for other custom tanks, we have AquaDOT, corrugated, stainless steel and more tanks in many sizes and styles. Call for more information.



For more complete information on One Clarion products and solutions, visit us on the web at: [www.clarionmunicipal.com](http://www.clarionmunicipal.com) or call us at : (+1) 863-261-8388 | [info@oneclarion.com](mailto:info@oneclarion.com)

© 2023 One Clarion. All rights reserved. One Clarion terms and conditions apply.

