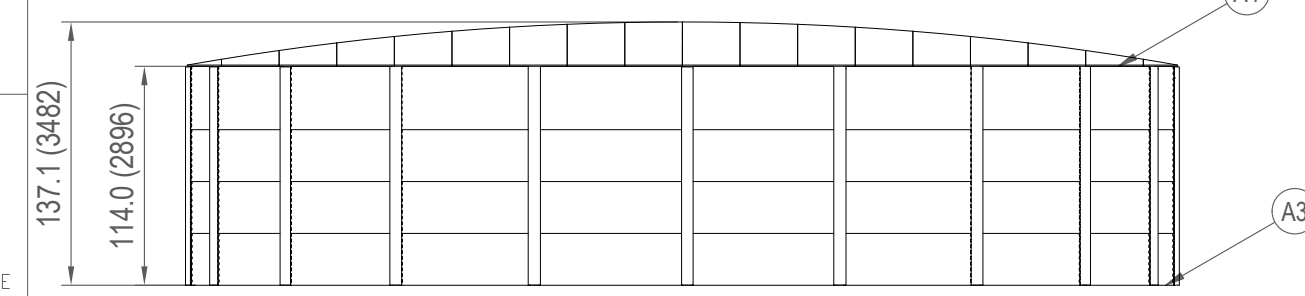
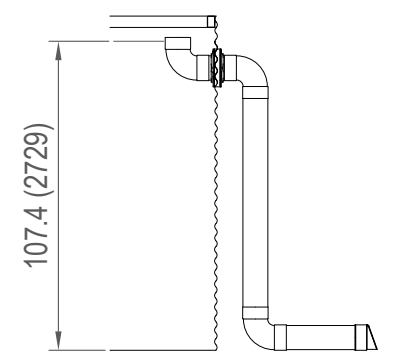


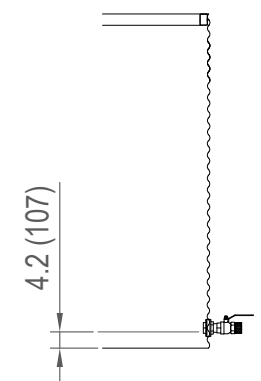
TANK PLAN
SCALE: 1:100



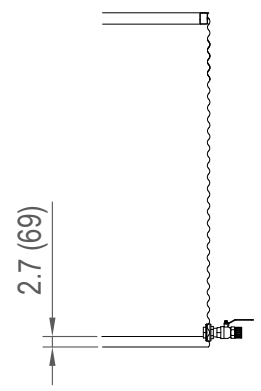
TANK ELEVATION
SCALE: 1:100



OVERFLOW
SCALE: NTS



OUTLET
SCALE: NTS



DRAIN
SCALE: NTS

MODEL	UR4D512
GROSS CAPACITY	101,500 GALLONS
NET CAPACITY	91,900 GALLONS
SHELL COLOR / FINISH	NO COLOR / GALVANIZED FINISH
SHELL MOISTURE BARRIER	20mil UNSUPPORTED PE
LINER	ENVIROLINER 20mil
ROOF SHEETING	CORRUGATED 2.67" PITCH 7/8" DEPTH

ID	ACCESSORIES
A1	30" HINGED ROOF ACCESS HATCH
A2	LIGHT DUTY LADDER - 3 RING TANK
A3	512" GEOMAT
A4	DUST AND VERMIN PROTECTION
A5	6" PVC OVERFLOW PIPEWORK
A6	MECHANICAL LEVEL GAUGE

INCHES	US GAL
114.0	101,500
112.5	100,200
109.5	97,500
106.5	84,800
103.5	92,200
100.5	89,500
97.5	86,800
94.5	84,200
91.5	81,500
88.5	78,800
85.5	76,100
82.5	73,500
79.5	70,800
76.5	68,100
73.5	65,500
70.5	62,800
67.5	60,100
64.5	57,400
61.5	54,800
58.5	52,100
55.5	49,400
52.5	46,800
49.5	44,100
46.5	41,400
43.5	38,700
40.5	36,100
37.5	33,400
34.5	30,700
31.5	28,100
28.5	25,400
25.5	22,700
22.5	20,000
19.5	17,400
16.5	14,700
13.5	12,000
10.5	9,400
7.5	6,700
4.5	4,000
1.5	1,300

Ø512" TANK DEPTH CHART

NOTES

GENERAL

- DRAWINGS TO BE READ IN CONJUNCTION WITH DESIGN SPECIFICATION
- EFFECTIVE VOLUME CALCULATION BASED ON STORAGE LOSS BELOW INVERT OF THE LOWEST OUTLET AND FROM 1" BELOW THE INVERT / LIP OF THE LOWEST OVERFLOW

PRODUCTION

- ALL PIPEWORK & VALVES, UNLESS SPECIFIED, BY OTHERS

INSTALLATION

- ENSURE FIRM FLAT AND LEVEL SITE IS PROVIDED, AS PER SITE PREPARATION SPECIFICATION, PRIOR TO COMMENCING CONSTRUCTION
- ORIENTATION OF ALL FITTINGS TO BE CONFIRMED PRIOR TO INSTALLATION
- INSTALLATION TOLERANCES APPLY ON TOP OF STANDARD PRODUCTION TOLERANCES

ID	DESCRIPTION	SIZE	TYPE	LVL.	MATERIAL	VALVE TYPE	INTERNAL
N1	OVERFLOW	6"	SDR 35	82.5	ASA	-	VERTICAL ORIFICE
N2	INLET	20"	BASKET	114.0	PP / PE	-	UV GUARD
N3	OUTLET	2"	Sch 40	5.25	GFN	Ni COATED BALL	HORIZONTAL ORIFICE
N4	DRAIN	2"	Sch 40	3.75	GFN	Ni COATED BALL	HORIZONTAL ORIFICE

REV.	DESCRIPTION	DATE	DRAWN	APPROVED
-1	FIRST ISSUE	16 NOV 16	BAF	---

ONE CLARION
www.clarionmunicipal.com
PO Box 700338
Wabasso, FL 32970
863-261-8388
info@oneclarion.com

INIT.	DATE	DESCRIPTION
DRAWN BY		
CHECKED		
APPROVED		
ISSUED		

**102,000 GALLON TANK GENERAL ARRANGEMENT
PRODUCTION PART**

INCHES (MILLIMETRES)	SCALE REFER SHEET	SHEET 1 of 1	Weight	PROJ. No. D030	DWG No. U-13.0-1000-00002	REV.	SHEET SIZE B ANSI
----------------------	-------------------	--------------	--------	----------------	---------------------------	------	-------------------