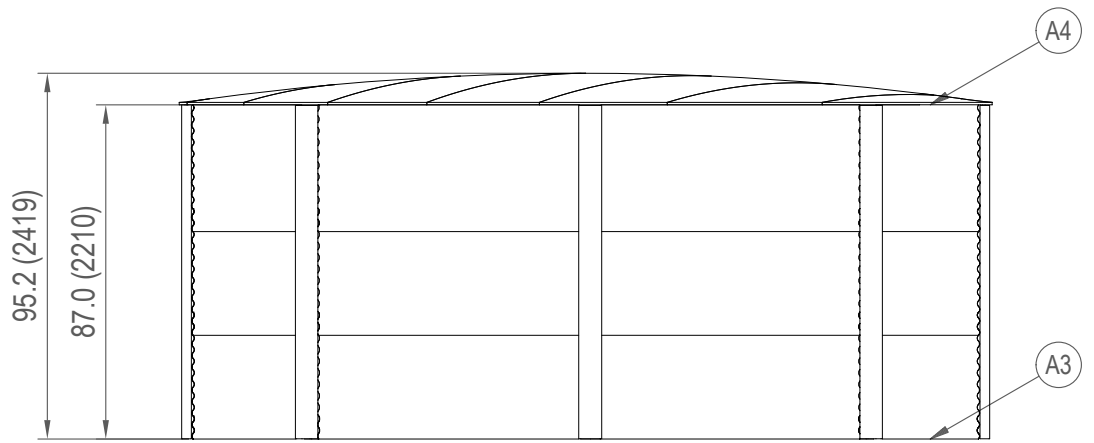
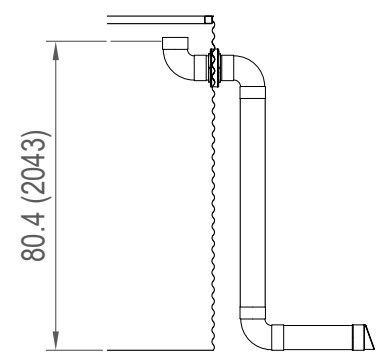


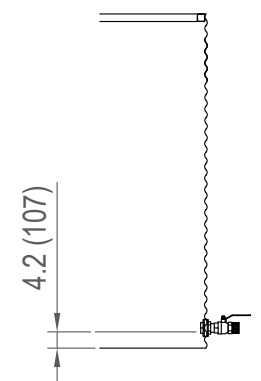
TANK PLAN
SCALE: 1:50



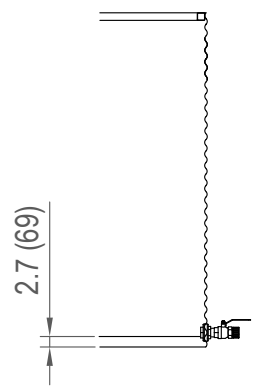
TANK ELEVATION
SCALE: 1:50



OVERFLOW
SCALE: 1:50



OUTLET
SCALE: 1:50



DRAIN
SCALE: 1:50

MODEL	UR3D205
GROSS CAPACITY	12,400 GALLONS
NET CAPACITY	10,860 GALLONS
SHELL COLOR / FINISH	NO COLOR / GALVANIZED FINISH
SHELL MOISTURE BARRIER	20mil UNSUPPORTED PE
LINER	ENVIROLINER 20mil
ROOF SHEETING	CORRUGATED 2.67" PITCH 7/8" DEPTH

ID	ACCESSORIES
A1	30" HINGED ROOF ACCESS HATCH
A2	LIGHT DUTY LADDER - 3 RING TANK
A3	205" GEOMAT
A4	DUST AND VERMIN PROTECTION
A5	6" PVC OVERFLOW PIPEWORK
A6	MECHANICAL LEVEL GAUGE

NOTES

GENERAL

- DRAWINGS TO BE READ IN CONJUNCTION WITH DESIGN SPECIFICATION
- EFFECTIVE VOLUME CALCULATION BASED ON STORAGE LOSS BELOW INVERT OF THE LOWEST OUTLET AND FROM 1" BELOW THE INVERT / LIP OF THE LOWEST OVERFLOW

PRODUCTION

- ALL PIPEWORK & VALVES, UNLESS SPECIFIED, BY OTHERS

INSTALLATION

- ENSURE FIRM FLAT AND LEVEL SITE IS PROVIDED, AS PER SITE PREPARATION SPECIFICATION, PRIOR TO COMMENCING CONSTRUCTION
- ORIENTATION OF ALL FITTINGS TO BE CONFIRMED PRIOR TO INSTALLATION
- INSTALLATION TOLERANCES APPLY ON TOP OF STANDARD PRODUCTION TOLERANCES

INCHES	US GAL
87.0	12,400
85.5	12,200
82.5	11,800
79.5	11,300
76.5	10,900
73.5	10,500
70.5	10,000
67.5	9,600
64.5	9,200
61.5	8,800
58.5	8,300
55.5	7,900
52.5	7,500
49.5	7,100
46.5	6,600
43.5	6,200
40.5	5,800
37.5	5,300
34.5	4,900
31.5	4,500
28.5	4,100
25.5	3,600
22.5	3,200
19.5	2,800
16.5	2,400
13.5	1,900
10.5	1,500
7.5	1,100
4.5	600
1.5	200

Ø205" TANK DEPTH CHART

ID	DESCRIPTION	SIZE	TYPE	LVL.	MATERIAL	VALVE TYPE	INTERNAL
N1	OVERFLOW	6"	SDR 35	73.5	ASA	-	VERTICAL ORIFICE
N2	INLET	20"	BASKET	87.0	PP / PE	-	UV GUARD
N3	OUTLET	2"	Sch 40	5.25	GFN	Ni COATED BALL	HORIZONTAL ORIFICE
N4	DRAIN	2"	Sch 40	3.75	GFN	Ni COATED BALL	HORIZONTAL ORIFICE

REV.	DESCRIPTION	DATE	DRAWN	APPROVED
-2	GRAMMAR UPDATES	13 OCT 16	BAF	---
-1	FIRST ISSUE	12 OCT 16	BAF	---

REVISIONS

ONE CLARION
www.clarionmunicipal.com
PO Box 700338
Wabasso, FL 32970
863-261-8388
info@oneclarion.com

INIT.	DATE	DESCRIPTION						
DRAWN BY		12,000 GALLON TANK GENERAL ARRANGMENT PRODUCTION PART						
CHECKED								
APPROVED								
ISSUED								
INCHES (MILLIMETRES)		SCALE REFER SHEET	SHEET 1 of 1	Weight	PROJ. No. D030	DWG No. U-05.2-1000-00001	REV.	SHEET SIZE B ANSI