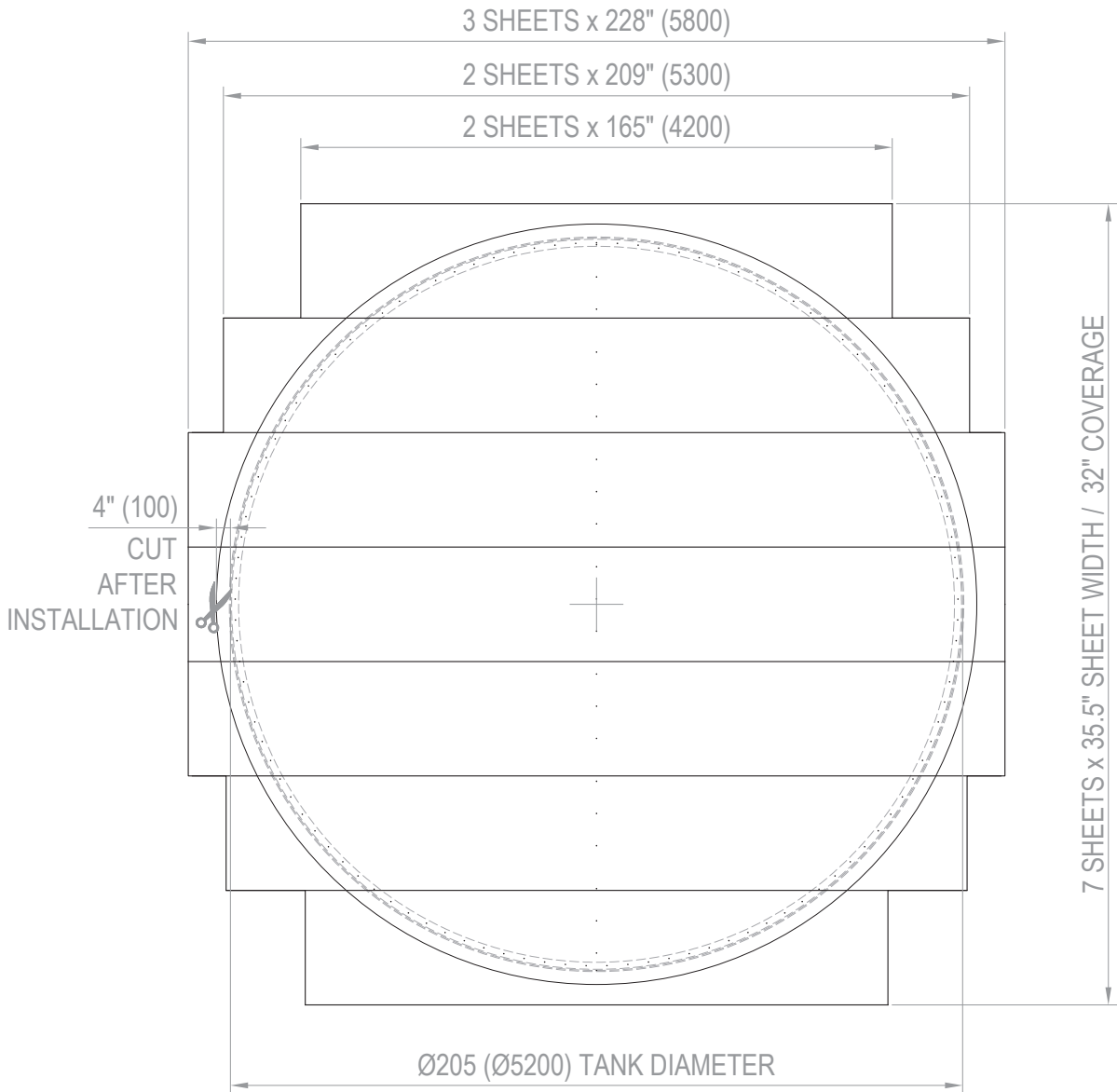


REVISIONS				
REV.	DESCRIPTION	DATE	DRAWN	APPROVED
-1	FIRST ISSUE	14 NOV 16	BAF	---
A	FOR PRODUCTION	14 FEB 17	BAF	---



TANK PLAN
SCALE: 1:50



www.clarionmunicipal.com
PO Box 700338
Wabasso, FL 32970
863-261-8388
info@oneclarion.com

	INIT.	DATE	DESCRIPTION
DRAWN BY	BAF	11/14/16	D205 ROOF SHEET LAYOUT (32" COVERAGE) INSTALLATION
CHECKED			
APPROVED			
ISSUED			



INCHES (MILLIMETRES)

SCALE REFER SHEET

SHEET 1 of 1

DWG No. U-05.2-2000-00002

REV. SHEET SIZE A ANSI