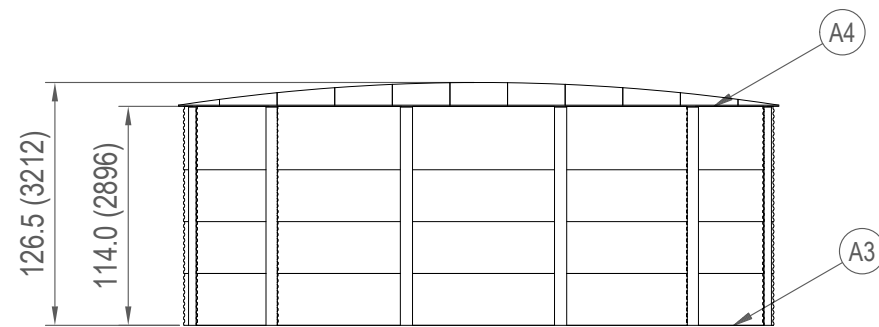
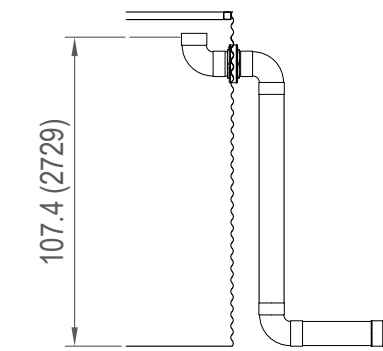


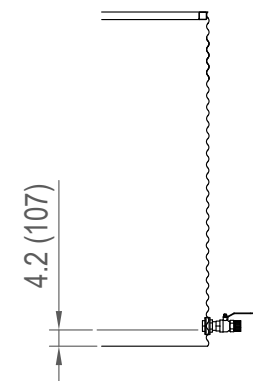
**TANK PLAN**  
SCALE: 1:100



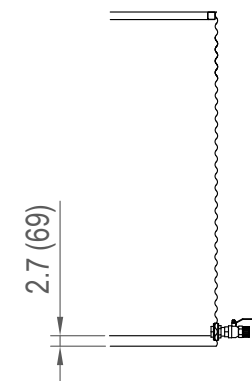
**TANK ELEVATION**  
SCALE: 1:100



**OVERFLOW**  
SCALE: NTS



**OUTLET**  
SCALE: NTS



**DRAIN**  
SCALE: NTS

MODEL	UR4D307
GROSS CAPACITY	36,600 GALLONS
NET CAPACITY	33,100 GALLONS
SHELL COLOR / FINISH	NO COLOR / GALVANIZED FINISH
SHELL MOISTURE BARRIER	20mil UNSUPPORTED PE
LINER	ENVIROLINER 20mil
ROOF SHEETING	CORRUGATED 2.67" PITCH 7/8" DEPTH

ID	ACCESSORIES
A1	30" HINGED ROOF ACCESS HATCH
A2	LIGHT DUTY LADDER - 3 RING TANK
A3	307" GEOMAT
A4	DUST AND VERMIN PROTECTION
A5	6" PVC OVERFLOW PIPEWORK
A6	MECHANICAL LEVEL GAUGE

**NOTES**

**GENERAL**

- DRAWINGS TO BE READ IN CONJUNCTION WITH DESIGN SPECIFICATION
- EFFECTIVE VOLUME CALCULATION BASED ON STORAGE LOSS BELOW INVERT OF THE LOWEST OUTLET AND FROM 1" BELOW THE INVERT / LIP OF THE LOWEST OVERFLOW

**PRODUCTION**

- ALL PIPEWORK & VALVES, UNLESS SPECIFIED, BY OTHERS

**INSTALLATION**

- ENSURE FIRM FLAT AND LEVEL SITE IS PROVIDED, AS PER SITE PREPARATION SPECIFICATION, PRIOR TO COMMENCING CONSTRUCTION
- ORIENTATION OF ALL FITTINGS TO BE CONFIRMED PRIOR TO INSTALLATION
- INSTALLATION TOLERANCES APPLY ON TOP OF STANDARD PRODUCTION TOLERANCES

INCHES	US GAL
114.0	36,600
112.5	36,100
109.5	35,100
106.5	34,100
103.5	33,200
100.5	32,200
97.5	31,300
94.5	30,300
91.5	29,300
88.5	28,400
85.5	27,400
82.5	26,500
79.5	25,500
76.5	24,500
73.5	23,600
70.5	22,600
67.5	21,600
64.5	20,700
61.5	19,700
58.5	18,800
55.5	17,800
52.5	16,800
49.5	15,900
46.5	14,900
43.5	13,900
40.5	13,000
37.5	12,000
34.5	11,100
31.5	10,100
28.5	9,100
25.5	8,200
22.5	7,200
19.5	6,300
16.5	5,300
13.5	4,300
10.5	3,400
7.5	2,400
4.5	1,400
1.5	500

Ø307" TANK  
DEPTH CHART

ID	DESCRIPTION	SIZE	TYPE	LVL.	MATERIAL	VALVE TYPE	INTERNAL
N1	OVERFLOW	6"	SDR 35	82.5.5	ASA	-	HORIZONTAL ORIFICE
N2	INLET	20"	BASKET	114.0	PP / PE	-	UV GUARD
N3	OUTLET	2"	Sch 40	5.25	GFN	Ni COATED BALL	HORIZONTAL ORIFICE
N4	DRAIN	2"	Sch 40	3.75	GFN	Ni COATED BALL	HORIZONTAL ORIFICE

REV.	DESCRIPTION	DATE	DRAWN	APPROVED
-1	FIRST ISSUE	18 NOV 16	BAF	---

**REVISIONS**

**ONE CLARION**  
www.clarionmunicipal.com  
PO Box 700338  
Wabasso, FL 32970  
863-261-8388  
info@oneclarion.com

	INIT.	DATE	DESCRIPTION
DRAWN BY			
CHECKED			
APPROVED			
ISSUED			

**37,000 GALLON TANK GENERAL ARRANGMENT  
PRODUCTION PART**

INCHES (MILLIMETRES)	SCALE REFER SHEET	SHEET 1 of 1	Weight	PROJ. No. D030	DWG No. U-07.8-1000-00002	REV.	SHEET SIZE B ANSI
----------------------	-------------------	--------------	--------	----------------	---------------------------	------	-------------------