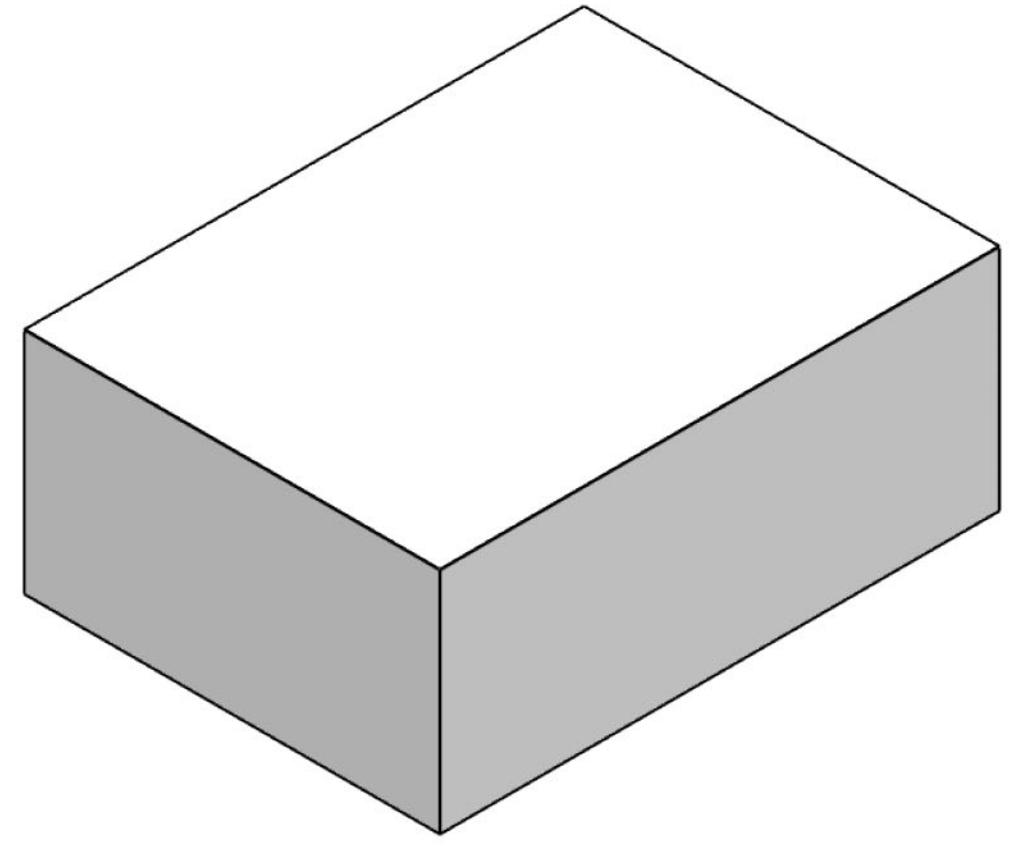
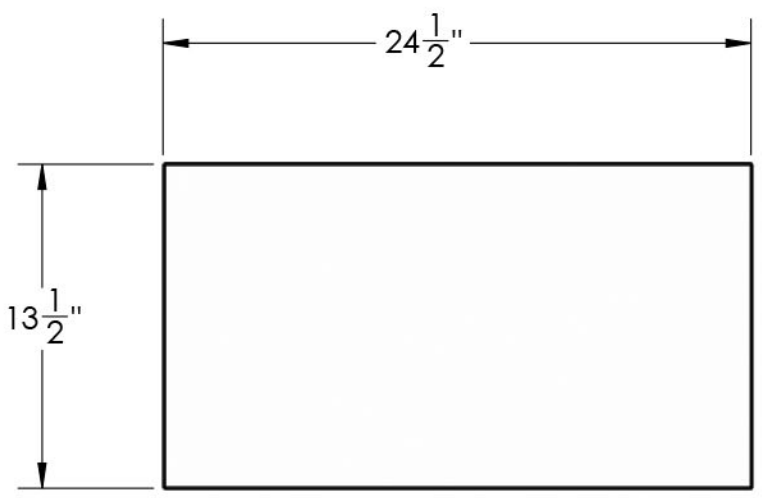
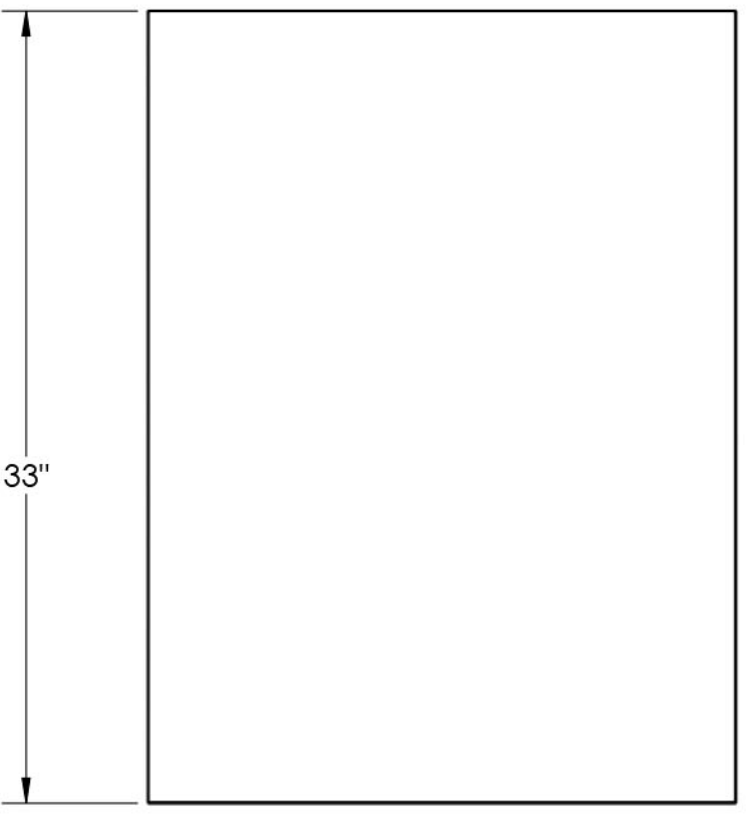


8 7 6 5 4 3 2 1

D  
C  
B  
A



NOTES:

1. MATERIAL: NAT. POLYETHYLENE
2. AVG. WALL THICKNESS: .15
3. MOLDED WT. 17 LBS.

A

A

		UNLESS OTHERWISE SPECIFIED:	NAME	DATE	ONE CLARION INC.	
		DIMENSIONS ARE IN INCHES	DRAWN		TITLE:	
		TOLERANCES:	CHECKED		45 GALLON WATER TANK	
		FRACTIONAL ±	ENG APPR.		SIZE DWG. NO. REV	
		ANGULAR: MACH ± BEND ±	MFG APPR.		B W-408	
		TWO PLACE DECIMAL ±	Q.A.		WEIGHT: SHEET 1 OF 1	
		THREE PLACE DECIMAL ±	COMMENTS:			
		INTERPRET GEOMETRIC TOLERANCING PER:				
		MATERIAL				
NEXT ASSY	USED ON	FINISH				
APPLICATION		DO NOT SCALE DRAWING				

8 7 6 5 4 3 2 1