

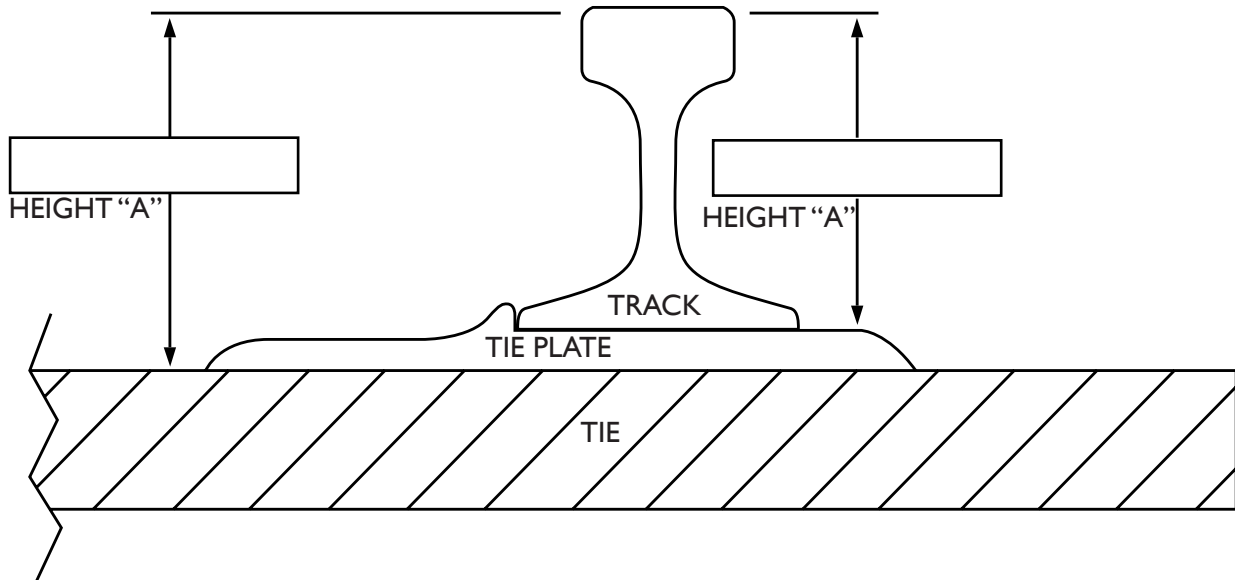
RAIL HEIGHT WORKSHEET

TIES & TRACK ATTACHMENT OPTIONS:

<u>TIES</u>	<u>TRACK ATTACHMENT</u>
Please check one:	Please check one:
<input type="checkbox"/> WOOD <input type="checkbox"/> CONCRETE <input type="checkbox"/> STEEL	<input type="checkbox"/> SPIKES <input type="checkbox"/> BOLTS <input type="checkbox"/> PANDROL

Please fill out form on page 2 if you have chosen pandrols.

DRAWING & MEASUREMENTS:

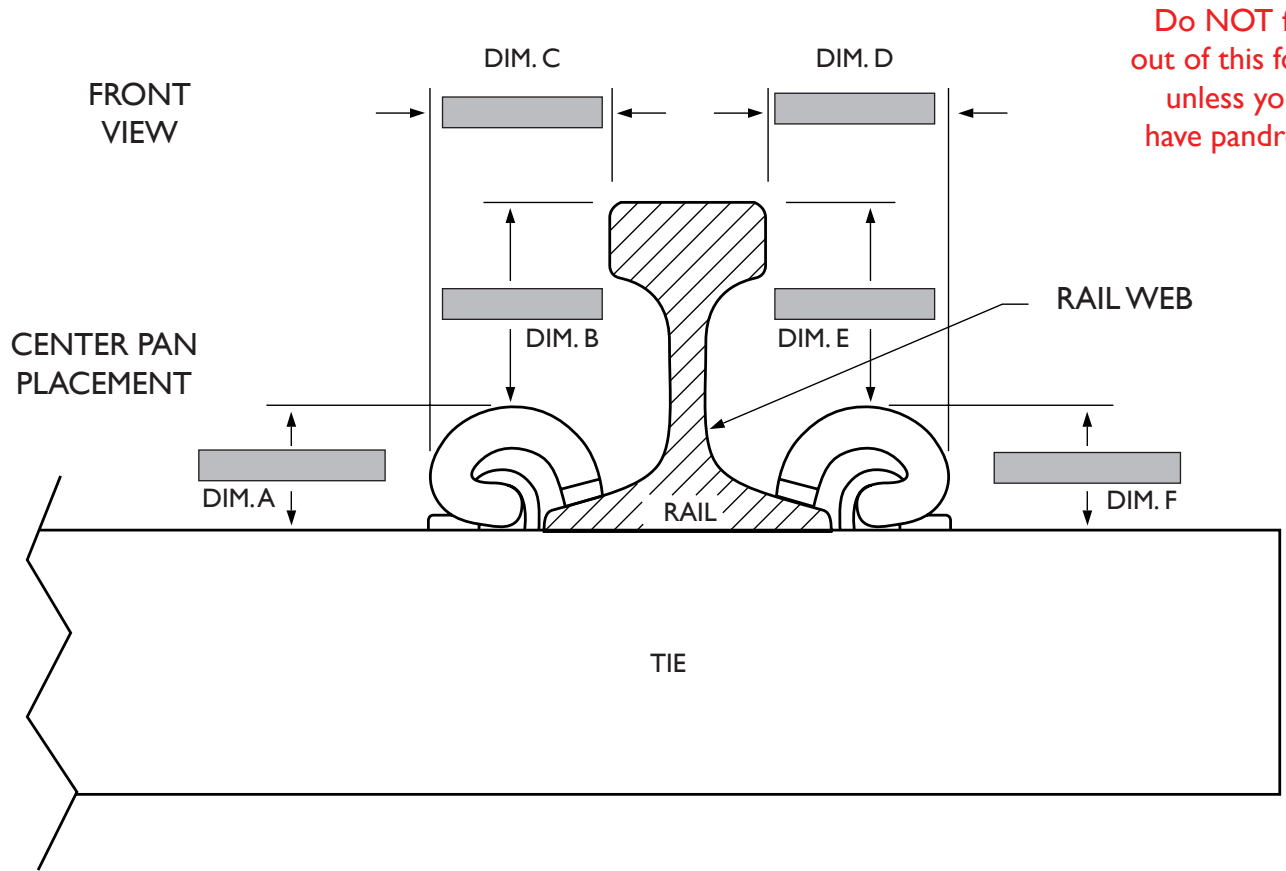


- How much containment is needed?
- How long of a system will be needed?
- Is this one system, or is this more than one system? (If more than one, how many?)
- Will drains be installed?
- Will the end user drive over the pans?
- When is the planned or target installation date?
- What is the substrate?
- What chemical/s need to be contained?
- Is the temperature of the substance being contained warmer than ambient temperature?



RAIL HEIGHT WORKSHEET

DRAWING & MEASUREMENT:



Do NOT fill out of this form unless you have pandrols

