



RV Fresh Water Tanks

Water Holding Tanks

Durable, Leak-Proof, and Customizable

Increase your fresh water capacity with One Clarion RV fresh water tanks. Our strong, one-piece molded polyethylene tanks comply with FDA regulation CFR 177.1520 for potable water. High-quality, RV holding tanks give you a unique size and fit, whether you're looking to increase water storage or need to replace a leaky tank!. Our rotomold construction gives you a durable, leak-proof tank. With spin weld fittings, your tank has a secure, dependable link to any RV plumbing. We offer lightweight bow, rectangle, and wedge shaped seamless plastic tanks in a wide range of sizes.

The Right Water Storage

Our strong, sturdy RV freshwater tanks don't crack or weaken over time, giving you the peace of mind you need while traveling. The 3/8" tank walls protect your water from contamination, corrosion and ensure a longer tank life.

Perfect for:

- Fresh Water Storage
- Graywater Tank
- Back-up Water Storage
- Emergency Water
- Tiny House Tanks
- Food Truck Freshwater





Custom RV Freshwater Water Tanks

Our custom RV freshwater tanks are perfectly designed for potable water storage on truck campers, coaches, motorhomes, buses, camper vans, and other types of RVs. FDA-approved, virgin polyethylene, ensures you have safe water with no toxic chemical absorption.

We can customize your tank to exact specifications so you can rotate your tank any way you need. All of our tanks come with a female NPT opening on one end, making them suitable for any RV plumbing configurations.

Features:

- Strong, durable one-piece plastic tank
- FDA potable water compliant
- Fully enclosed tank with 3/8" walls
- Contamination and corrosion resistant
- Spin weld fittings available for any RV tank connections
- Customizable for a variety of tank sizes and applications

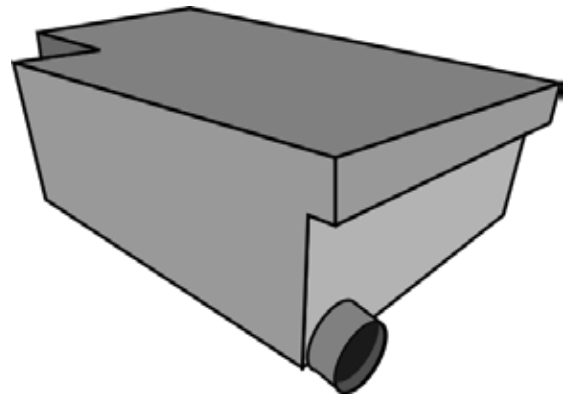


Custom RV Water Tank Fabrication

Rotational Mold Process

Custom RV water tanks are made with a process called rotational or roto molding. Virgin polyethylene resin is melted inside a hollow, closed mold. The mold is placed in a cast and heated to 260°C – 370°C. The resin evenly coats the mold during rotation, creating consistent wall thickness.

Our plastic water tank fabrication creates a one-piece, watertight tank, perfect for your RV fresh, back up or graywater tank. Roto-mold tanks are strong, durable and seamless, preventing fresh water contamination. We keep you on the road with strong, lightweight holding tanks in any size or shape tank you need.



Spin Weld Fittings

We spin weld our fittings to make sure you have a permanent, leak-proof fitting for your RV fresh water holding tank. This method joins polyethylene components together with surface friction focused on a circular weld joint.

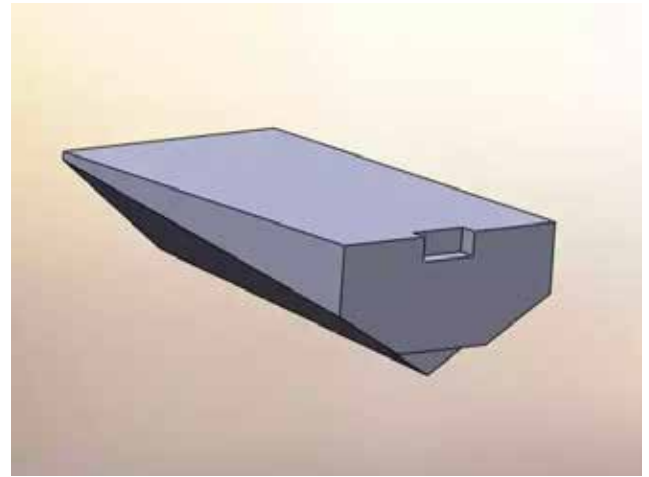
With a specialized tool, the fitting is spun relative to the tank opening while force is applied. The polyethylene fitting is heated due to the friction and melts into the tank. Once the spinning process stops, the parts continue to press together, creating a secure bond. Since we begin with a blank tank, we can create the fittings you need for your custom tank.



Tank Specs

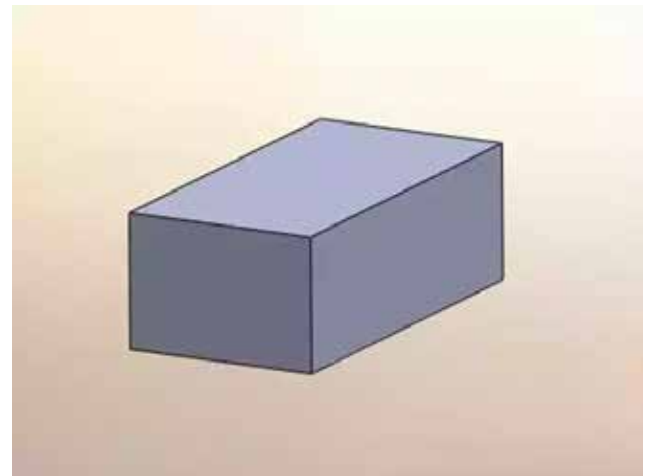
Bow Shaped Water Tanks

Part No.	Capacity	Length	Width	Depth
W-359	56	90	17.5	12
W-360	56	90	17.5	12
W-361	16	15	25.25	13
W-363	35	66	15.5	9.81
W-365	25	59	13.5	7.5
W-366	15	36	13.5	7.5
W-366	8	19.5	13.5	7.5
W-366	12	24	15	12



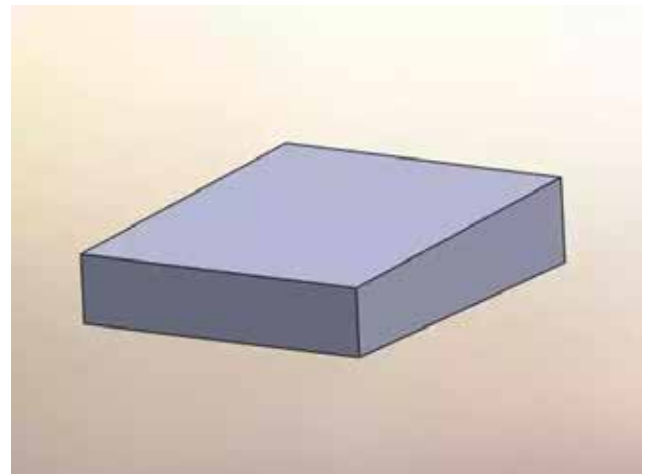
Rectangle Shaped Water Tanks

Part No.	Capacity	Length	Width	Depth
L-1	10	18	16	8
L-2	12	24	16	8
L-3	15	30	16	8
L-4	20	36	16	8
L-5	25	48	16	8
W-1	40	58	14	12
W-101	100	50	40	12
W-108	145	50	31.25	22
W-12	53	30.25	24.5	17.25
W-17	40	41	15.25	15.5



Wedge Shaped Water Tanks

Part No.	Capacity	Length	Width	Depth
W-211	72	61.75	24	13
W-215	100	78	26	14
W-224	88	73.75	24.25	12.75
W-273	70	73.75	24.25	10.75
W-274	65	69	24.25	10.75
W-281	81	70	26.75	11.75
W-303	97	73	24.75	14
W-349	82	48	40.5	11
W-350	108	76	40	10



We have many more sizes and shapes available.
See a [full list of specifications](#)



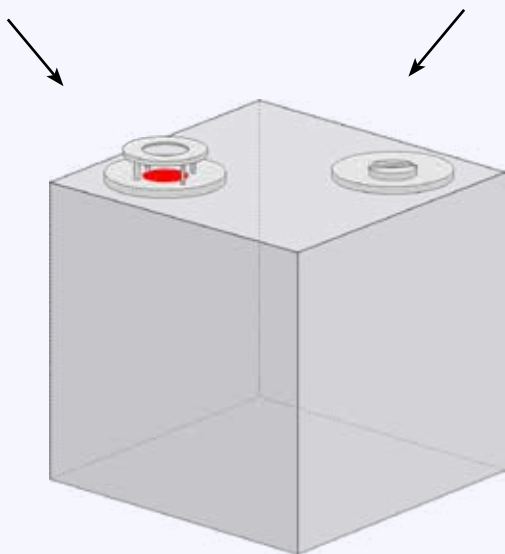
RV Water Holding Tank Drawings and Dimensions

One Clarion wants to work with you to make sure your RV fresh water water tank is exactly what you need. Our collaborative process helps us create a custom tank that fits your dimensions and unique space. Our versatile polyethylene water tanks have no pre-drilled holes, we have the flexibility to drill holes for fittings and plumbing, no matter where they are located. RV potable water tanks are available in custom sizes, shapes and colors.

1. To get started, simply complete a freshwater tank drawing with your specifications and dimensions.
2. Our team will review your drawing, and then get back to you with any feedback or suggestions they have for your RV holding tank.
3. We are committed to working with you until you are satisfied with your tank design. Only then do we process your order.
4. We encourage you to provide the most specific information available on fitting sizes and locations, but if you're not sure about all the details our team is will help guide you through the process and make any changes needed.

RAISED FITTING

FLUSH FITTING



Benefits

- Virtually indestructible tank, durable and strong
- Customize for specific tank size and shape
- Suitable for many RV and other plumbing needs
- Easily drained during off season
- Less likely to retain odors
- Use for a variety of applications
- Light weight and easy to install

See [Full Listing of Marine Water Tank Sizes](#)



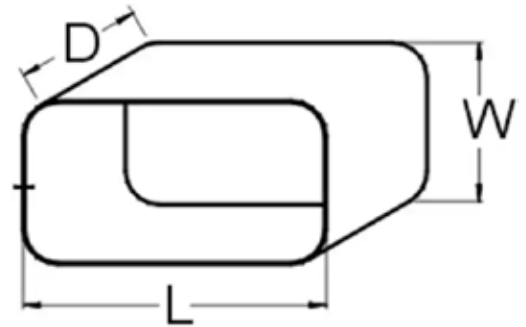
RV Water Tank Accessories

One Clarion offers custom RV holding tanks to fit your specific dimensions and location. We are committed to meeting the parameters of your project by offering additional accessories for your RV potable water project.

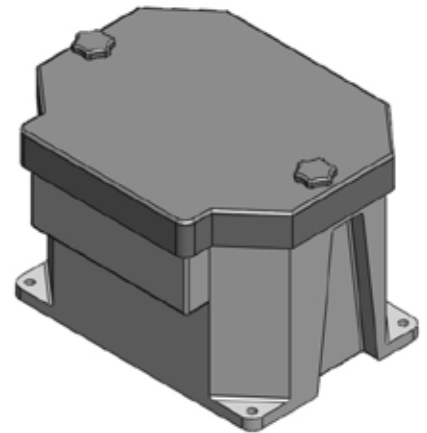
Polyethylene fittings for holding and fresh water tanks are made with a spin welding process. This produces a strong, durable permanent joint link that won't leak or break. We make fittings for your specific water tanks, giving you a precise connection for your RV plumbing.



We also offer high-quality RV compartments which are durable, waterproof and easy to install. Our compartments include rounded corner open ended, square corner open-ended, and square corner top and end compartments in a variety of sizes. You can choose the color, size and style to match your RV interior and exterior. [List of Boat Storage Containers](#)



Our selection of heavy-duty battery boxes keep your RV batteries from tipping, corroding or accidentally shorting out. Strong, durable boxes are often used for RVs, buses, boats and trailers. [Battery boxes sizes](#)



For more complete information on One Clarion products and solutions, visit us on the web at: www.clarionmunicipal.com or call us at : (+1) 863-261-8388 | info@oneclarion.com

© 2023 One Clarion. All rights reserved. One Clarion terms and conditions apply.



Sustainable RV Water Holding

Our custom plastic RV tank gives a sustainable solution for environmental friendly water storage. Manufactured with non-toxic material, tanks have a low carbon emission during their life cycle. Our tanks can withstand corrosion, are leak proof, resist UV damage, and last longer than other tanks. Reduce your carbon footprint with our flexible, cost-effective plastic marine tanks.



If your looking for other custom tanks, we have AquaDOT, corrugated, stainless steel and more tanks in many sizes and styles. Call for more information.



For more complete information on One Clarion products and solutions, visit us on the web at: www.clarionmunicipal.com or call us at : [\(+1\) 863-261-8388](tel:+18632618388) | info@oneclarion.com

© 2023 One Clarion. All rights reserved. One Clarion terms and conditions apply.

